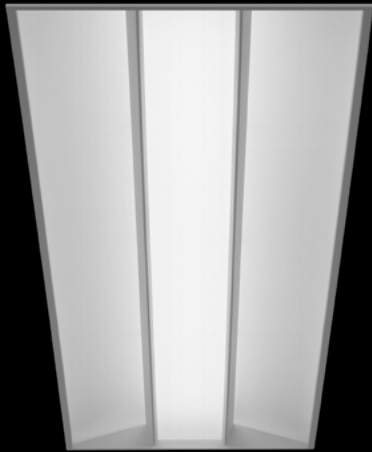
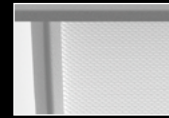


Equation[®] 2 1x4

LED



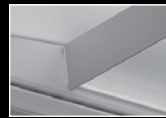
opal acrylic lens



MicroGlow lens

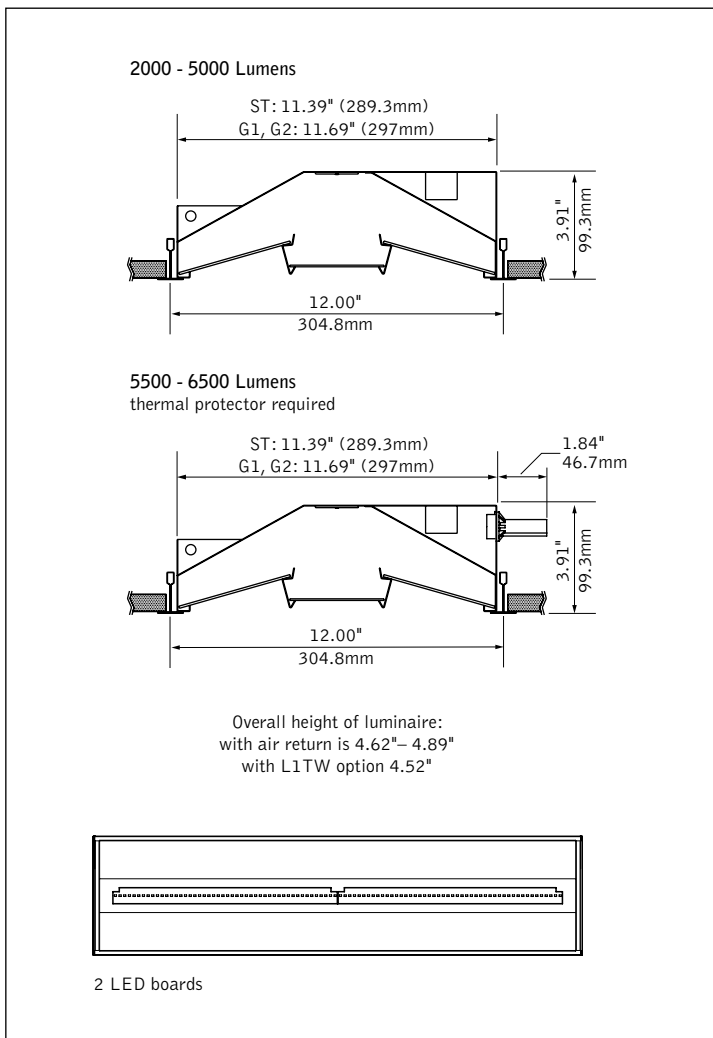


suspended or surface mount



air return

DIMENSIONAL DATA



FEATURES

Equation[™] 2 blends sleek aesthetics with uniform diffuse illumination.

Center diffuser features MicroGlow prismatic lens for brightness control and visual comfort. Opal acrylic center lens may also be specified.

Tunable White: Supports human activity, well-being, and preferences with a light quality that evolves throughout the day.

Connected Solutions: Integrates with wired and wireless building lighting control systems.

PoE compatible: Integrates with Power over Ethernet lighting systems via standard, low-voltage wires.

PERFORMANCE

Opal Acrylic Lens

Delivered Lumens: 3500lm

Total System Watts: 37W

PRODUCT OVERVIEW

Lumen Output:	2000-6500lm
Wattage:	19-68W
LPW:	89-109
SDCM:	3

Photometric performance is measured in accordance with IESNA LM-79. Visit focalpointlights.com for complete photometric data.

fixture:

project:

MOUNTING INFORMATION

grid

G1
15/16"

G2
9/16"

"ST" slot tee
9/16"

drywall frame kit

Specify "F" Drywall Frame Kit for drywall ceiling conditions.

Use tie-wire or screws to secure frame kit.

Cut out dimensions:
1': Min: 12.25"
Max: 12.563"
4': Min: 48.25"
Max: 48.563"

SPECIFICATIONS

LED System

Proprietary linear LED module incorporates premium LEDs on a robust platform to achieve excellent thermal management. LEDs are placed to promote a uniform appearance. Available in 2700K, 3000K, 3500K, 4000K or Tunable White (2700K-6500K), with CRI>80 or CRI>90, 3SDCM. 3500K and 4000K with CRI>90 have a cyanosis observation index (COI) of 3.3 or less. Contact factory for additional color temperature and CRI options. 0-10V dimming driver standard. LED modules and drivers are replaceable from below.

Construction

One-piece 24 Ga. steel reflector and housing. Bottom access 24 Ga. steel driver compartment. Positional brackets supplied as standard. Standard weight: 19.4 lbs. Surface-mount/suspended weight: 24.2 lbs.

Optic

24 Ga. steel reflectors finished in matte satin white powder coat. .080" thick frosted white acrylic diffusers. Center shielding options include .080" thick opal acrylic lens or MicroGlow prismatic lens with optical filter overlay.

Electrical

Standard 120-277V driver includes 0-10V analog dimming. Power factor > .9. Optional DALI, Lutron EcoSystem or Step-dimming drivers available. PoE compatible: Integrates with Power over Ethernet lighting systems via standard, low-voltage wires.

Emergency

Emergency battery output—10 watts for 90 minutes. Emergency Circuit with Connected Solutions (DLM1, LMFS1, LMFSD, LAW1, LAWS, NLT1, ENL1, CLM1, NXE1, WLXP) requires a UL924 compliant device, consult factory.

Labels

UL and cUL listed. Suitable for Dry or Damp Locations, indoor use only.

Finish

Polyester powder coat applied over a multi-stage pre-treatment.

Lumen Maintenance

Reported: L70 at >61,000 hours Calculated: L70 at 480,000 hours
L80 at >61,000 hours L80 at 285,000 hours
(Derived from EPA TM-21 calculator. Based on typical conditions, consult factory for additional data.)

Reliability

At Focal Point, our products are designed to stand the test of time. Each luminaire is engineered using superior components, manufactured with the utmost care and rigorously tested. Contact us for reliability data.

Warranty

LED system rated for operation in ambient environments up to 25°C. 5-year limited warranty.

STANDARD WHITE PERFORMANCE CHART

Lumen Output	Tested System Watts	LPW	Lumen Output	Tested System Watts	LPW
2000	17	113	4500	41	107
2500	22	111	5000	46	107
3000	27	110	5500	60	92
3500	32	109	6000	67	89
4000	36	108	6500	76	86

Based on 3500K, 80 CRI, Opal Acrylic Lens. Lumen multipliers: 90+ CRI = 0.87, MicroGlow Prismatic Lens = 0.95. Lumen output may vary +/- 5%. Actual wattage may vary +/- 5%.

Focal Point LLC reserves the right to change specifications for product improvement without notification.

STANDARD WHITE

Luminaire Series	FEQ2
Equation 2	FEQ2
Nominal Size	14
1' x 4'	14
Shielding	
Opal Acrylic Lens	AC
MicroGlow Prismatic Lens	MG
Lumen Output	
2000 Lumens	2000L
2500 Lumens	2500L
3000 Lumens	3000L
3500 Lumens	3500L
4000 Lumens	4000L
4500 Lumens	4500L
5000 Lumens	5000L
5500 Lumens*	5500L
6000 Lumens*	6000L
6500 Lumens*	6500L
(*Grid, Slot Tee Only)	
Color Temperature	
2700K, 80+ CRI or 90+ CRI	27K or 927K
3000K, 80+ CRI or 90+ CRI	30K or 930K
3500K, 80+ CRI or 90+ CRI	35K or 935K
4000K, 80+ CRI or 90+ CRI	40K or 940K
Circuit	1C
Single Circuit	1C
Voltage	
UNV 120/277 Volt (5000 Lumens max.)	UNV
120 Volt	120
277 Volt	277
347 Volt	347
(Transformer required for all drivers except LD1 and CLM1. Not available with EM.)	
Low Voltage	LV
Control System & Dimming Level	
0-10V - 10% Dimming (Not Right Light as standard, consult factory)	LD1
0-10V - 1% Dimming	L11
Low Voltage, PoE compatible (No driver. Not available with EM. LV voltage only)	LVN
Lutron Hi-Lume EcoSystem (LDE1) - 1% Dimming	LH1
DALI - 1% Dimming	D11
Step Dimming	SD5
Wattstopper DLM - 1% Dimming (Not available with CP)	DLM1
Wattstopper Fixture Sensor Low Density - 1% Dimming	LMFS1
Wattstopper Fixture Sensor High Density - 1% Dimming	LMFSD
Lutron Athena Wireless Node (0-10V standard. Consult factory for DALI)	LAW1
Lutron Athena Wireless Sensor (0-10V standard. Consult factory for DALI)	LAWS
Acuity nLight - 1% Dimming (Not available with CP)	NLT1
Enlighted Smart Sensor - 1% Dimming	ENL1
Excelium CLM Connected Lighting Module - 1% Dimming	CLM1
Current NX Enabled - 1% Dimming (Not available with CP)	NXE1
WaveLinx Pro - 1% Dimming	WLXP
Mounting	
24" Aircraft Cable	C24
48" Aircraft Cable	C48
96" Aircraft Cable	C96
Drywall Frame Kit	F
(Not available with CLM1, DLM1, NLT1 or NXE1) (Cut out dimensions: Min: 12.25"/Max: 12.563" Min: 48.25"/Max: 48.563")	
15/16" Grid	G1
9/16" Grid	G2
Slot Tee	ST
Surface Mount	SM
(Not available with CLM1, DLM1, NLT1 or NXE1. Consult factory for LAW1.)	
Factory Options	
Air Return	AR
(Overall height with Air Return is 4.62"-4.89")	
Chicago Plenum (Not available with flex whip)	CP
Emergency Battery [†] with Integral Test Switch (Cannot combine with 347V)	EM
6' New York City Flex Whip (120V)	FNY1
6' New York City Flex Whip (277V)	FNY2
6' Flex Whip	FW
Finish	WH
Matte Satin White	WH



Options in orange qualify for the Quickship program. 5-day up to 100 pieces, 10-day up to 300 pieces. Emergency Battery is 10-day only. Refer to Quickship Guide for complete details.

MOUNTING INFORMATION

grid

G1
15/16"

G2
9/16"

"ST" slot tee
9/16"

drywall frame kit

Specify "F" Drywall Frame Kit for drywall ceiling conditions.

Use tie-wire or screws to secure frame kit.

Cut out dimensions:
1': Min: 12.25"
Max: 12.563"
4': Min: 48.25"
Max: 48.563"

TUNABLE WHITE PERFORMANCE CHART

Lumen Output	Delivered Lumens	Tested System Watts	LPW
2000L	2001	24	82
2500L	2508	30	83
3000L	3009	35	87
3500L	3503	40	87
4000L	4010	46	87
4500L	4508	52	88
5000L	4999	62	81
5500L	5500	69	80
6000L	6011	75	80
6500L	6478	82	79

Based on 2700K, 80 CRI, Opal Acrylic Lens. Lumen output may vary +/- 5%. Actual wattage may vary +/- 5%.

Lumen Multipliers

CRI	Multiplier
80+	1.00
90+	0.89

Shielding	Multiplier
AC	1.00
MG	0.94

Wattage Multipliers

CCT	Multiplier
2700K	1.00
3000K	0.92
3500K	0.88
4000K	0.86
5000K	0.85
5700K	0.87
6500K	0.90



**TUNABLE WHITE
Luminaire Series**

Equation 2	FEQ2
Nominal Size	14
1' x 4'	14
Shielding	
Opal Acrylic Lens	AC
MicroGlow Prismatic Lens	MG
Lumen Output	
2000 Lumens	2000L
2500 Lumens	2500L
3000 Lumens	3000L
3500 Lumens	3500L
4000 Lumens	4000L
4500 Lumens	4500L
5000 Lumens	5000L
5500 Lumens*	5500L
6000 Lumens*	6000L
6500 Lumens*	6500L

(*Grid, Slot Tee Only)

Color Temperature

Tunable White: 2700-6500K, 80+ CRI	2765T
Tunable White: 2700-6500K, 90+ CRI	92765T

Circuit

Single Circuit	1C
----------------	----

Voltage

UNV 120/277 Volt (5000 Lumens max.)	UNV
120 Volt	120
277 Volt	277

Control System & Dimming Level

0-10V - 1% Dimming (Not available with surface or cable mount. Overall luminaire height increases to 4.52")	L1TW
DALI - 1% Dimming (Default driver offers DT6 control. It requires two addresses, one for intensity & one for CCT tuning. Consult factory for DT8. Extended lead time applies.)	D1TW

Mounting

24" Aircraft Cable (Not available with L1TW)	C24
48" Aircraft Cable (Not available with L1TW)	C48
96" Aircraft Cable (Not available with L1TW)	C96

Drywall Frame Kit

(Cut out dimensions: Min: 12.25"/Max: 12.563"
Min: 48.25"/Max: 48.563")

15/16" Grid	G1
9/16" Grid	G2
Slot Tee	ST

Surface Mount (Not available with L1TW)	SM
-----------------------------------------	----

Factory Options

Air Return (Overall height with Air Return is 4.62"-4.89")	AR
Chicago Plenum (Not available with flex whip)	CP
Emergency Battery with Integral Test Switch	EM
6' New York City Flex Whip (120V)	FNY1
6' New York City Flex Whip (277V)	FNY2
6' Flex Whip	FW
Finish	WH
Matte Satin White	WH

Focal Point provides flexibility in meeting the needs of each project by integrating with several building lighting control systems. A variety of sensors, drivers and other components can be specified that allow the luminaires to communicate with wired and wireless networks. All zoning can be digitally reconfigured through the application software. Daylight harvesting, occupancy sensing, integration with HVAC systems, and individual controls enable the monitoring and modulating of light levels and temperature in order to save energy, reduce costs and maximize occupants' comfort. All Connected Solutions luminaires require a compatible building control system.†

Connected Solution	Ordering Code	Model #**	Protocol	Compatible Networks*	Occupancy & Daylight	Temperature Reporting	Communication to Luminaire	Drivers	
 WATTSTOPPER®		DLM1	LMFC-011	DLM	DLM	Enabled	No	Wired 	Advance by Signify, Optotronic by eldoLED
		LMFS1	LMFS-601 & LMFI-111	DLM Wireless	DLM	Enabled	No	Wireless	Advance by Signify
	LMFSD	LMFS-601	Optotronic by eldoLED (Dexal)						
		WLXP	OEM-WAA	WaveLinx Wireless	WaveLinx Pro Trellix	Enabled	No	Wireless (WaveLinx Pro Wireless Area Controller)	Advance by Signify
		Specified Driver	D11	DALI	Crestron Züm Wireless & SpaceBuilder	Enabled	No	Wired	eldoLED ECOdrive
				L11					0-10V
		CLM1	ZBHA-CLM-DIM-ENC	ZigBee	Encelium X Light Management System	Enabled	No	Wireless	Optotronic by eldoLED Advance by Signify
		ENL1	SU-5E-IOT	Enlighted RF	Enlighted	Integrated	Yes	Wireless	Advance by Signify
		LAW1	A-WN-D01-RF-WH	0-10V DALI†	Athena Wireless	Enabled	No	Wireless	Advance by Signify
		LAWS	A-WN-D01-OCC-WH	0-10V DALI†	Athena Wireless	Integrated	No	Wireless	Advance by Signify
		LH1	LDE1	EcoSystem	Quantum, Energi Savr Node, Energi TriPak	Enabled	No	Wired	Lutron Hi-Lume
		NLT1	nEPS-60-IO	nLight	nLight	Enabled	No	Wired 	eldoLED ECOdrive, eldoLED SOLOdrive
		NXE1	NXFM-LV	NX	NX Distributed Intelligence	Enabled	No	Wired 	Optotronic by eldoLED

*Not all compatible networks may be listed. **For performance data and additional control system details please visit the connected solutions manufacturer websites. Primary drivers are listed in **bold**. To specify a particular driver please consult factory. †Controls systems supplied by others. †0-10V standard with Lutron Athena options, consult factory for DALI.