

Equation[®] 2 2x2

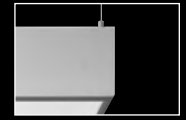
LED



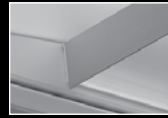
opal acrylic lens



MicroGlow lens

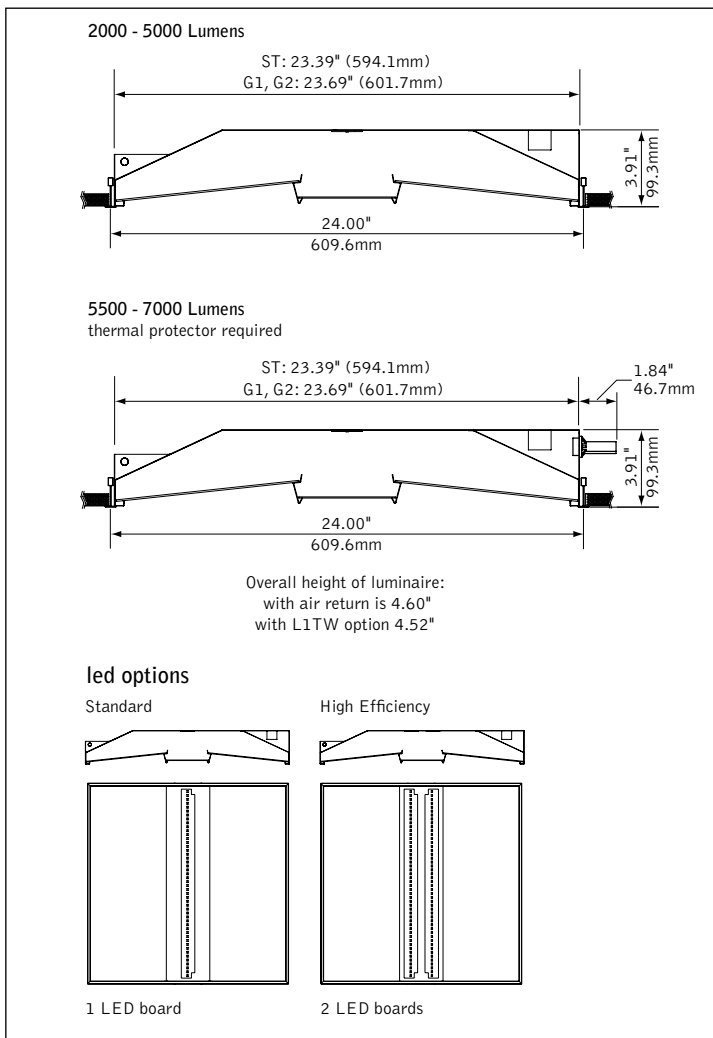


suspended or surface mount



air return

DIMENSIONAL DATA



FEATURES

Equation[™] 2 blends sleek aesthetics with uniform diffuse illumination.

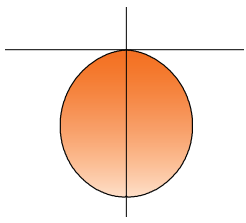
Center diffuser features MicroGlow prismatic lens for brightness control and visual comfort. Opal acrylic center lens may also be specified.

Tunable White: Supports human activity, well-being, and preferences with a light quality that evolves throughout the day.

Connected Solutions: Integrates with wired and wireless building lighting control systems.

PoE compatible: Integrates with Power over Ethernet lighting systems via standard, low-voltage wires.

PERFORMANCE



PRODUCT OVERVIEW

Lumen Output: 2000-7000lm

Wattage: 20-79W

LPW: 89-109

SDCM: 3

Opal Acrylic Lens

Delivered Lumens: 3500lm

Total System Watts: 35W

Photometric performance is measured in accordance with IESNA LM-79. Visit focalpointlights.com for complete photometric data.

fixture:

project:

MOUNTING INFORMATION

grid

G1
15/16"

G2
9/16"

"ST" slot tee
9/16"

drywall frame kit
specify "F" Drywall Frame Kit for drywall ceiling conditions.

Use tie-wire or screws to secure frame kit.

Cut out dimensions:
2': Min: 24.25"
Max: 24.563"

STANDARD WHITE PERFORMANCE CHART

Lumen Output				Lumen Output			
Tested System Watts		LPW	Tested System Watts		LPW		
2000	2000L	18	106	4000	4000LH	37	105
2500	2500L	24	100	4500	4500LH	43	103
	2500LH	23	105	5000	5000LH	49	100
3000	3000L	30	97	5500	5500LH	56	94
	3000LH	27	107	6000	6000LH	63	95
3500	3500L	36	95	6500	6500LH	71	92
	3500LH	32	107	7000	7000LH	79	89

Based on 3500K, 80 CRI, Opal Acrylic Lens. Lumen multipliers: 90+ CRI = 0.87, MicroGlow Prismatic Lens = 0.94. Lumen output may vary +/- 5%. Actual wattage may vary +/- 5%.

STANDARD WHITE Luminaire Series

		FEQ2
Equation 2		FEQ2
Nominal Size	2' x 2'	22
Shielding		
Opal Acrylic Lens		AC
MicroGlow Prismatic Lens		MG
Lumen Output		
Standard Output	2000 Lumens	2000L
	2500 Lumens	2500L
	3000 Lumens	3000L
	3500 Lumens	3500L
High Efficiency	2500 Lumens	2500LH
	3000 Lumens	3000LH
	3500 Lumens	3500LH
	4000 Lumens	4000LH
	4500 Lumens	4500LH
	5000 Lumens	5000LH
	5500 Lumens*	5500LH
	6000 Lumens*	6000LH
6500 Lumens*	6500LH	
7000 Lumens*	7000LH	
(*Grid, Slot Tee Only)		
Color Temperature		
2700K, 80+ CRI or 90+ CRI		27K or 927K
3000K, 80+ CRI or 90+ CRI		30K or 930K
3500K, 80+ CRI or 90+ CRI		35K or 935K
4000K, 80+ CRI or 90+ CRI		40K or 940K
Circuit		1C
Single Circuit		
Voltage		
UNV 120/277 Volt		UNV
(Not available with 5500LH, 6000LH, 6500LH & 7000LH)		
120 Volt		120
277 Volt		277
347 Volt		347
(Transformer required for all drivers except LD1 and CLM1. Not available with EM.)		
Low Voltage		LV
Control System & Dimming Level		
0-10V - 10% Dimming		LD1
(Not Right Light as standard, consult factory)		
0-10V - 1% Dimming		L11
Low Voltage, PoE compatible		LVN
(No driver. Not available with EM, LV Voltage only)		
Lutron Hi-Lume EcoSystem (LDE1) - 1% Dimming		LH1
DALI - 1% Dimming		D11
Step Dimming		SD5
Wattstopper DLM - 1% Dimming*		DLM1
(Not available with CP)		
Wattstopper Fixture Sensor* Low Density - 1% Dimming		LMFS1
Wattstopper Fixture Sensor High Density - 1% Dimming		LMFSD
Lutron Athena Wireless Node* (0-10V standard. Consult factory for DALI)		LAW1
Lutron Athena Wireless Sensor* (0-10V standard. Consult factory for DALI)		LAWS
Acuity nLight - 1% Dimming* (Not available with CP)		NLT1
Encelium CLM Connected Lighting Module* - 1% Dimming		CLM1
Current NX Enabled - 1% Dimming* (Not available with CP)		NXE1
WaveLinx Pro - 1% Dimming*		WLXP
*Not available with EM.		
Mounting		
24" Aircraft Cable		C24
48" Aircraft Cable		C48
96" Aircraft Cable		C96
Drywall Frame Kit		F
(Not available with CLM1, DLM1, NLT1 or NXE1. Cut out dimensions: Min: 24.25"/Max: 24.563")		
15/16" Grid		G1
9/16" Grid		G2
Slot Tee		ST
Surface Mount		SM
(Not available with CLM1, DLM1, NLT1 or NXE1. Consult factory for LAW1.)		
Factory Options		
Air Return		AR
(Overall height with Air Return is 4.62"-4.89")		
Chicago Plenum		CP
(Not available with flex whip)		
Emergency Battery ¹ with Integral Test Switch		EM
(Cannot combine with 347V)		
Not available with 5500LH, 6000LH, 6500LH & 7000LH)		
6' New York City Flex Whip (120V)		FNY1
6' New York City Flex Whip (277V)		FNY2
6' Flex Whip		FW
Finish		WH
Matte Satin White		WH

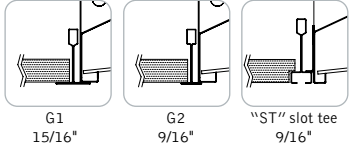


fixture:

project:

MOUNTING INFORMATION

grid

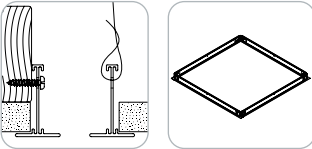


G1
15/16"

G2
9/16"

"ST" slot tee
9/16"

drywall frame kit
specify "F" Drywall Frame Kit for drywall ceiling conditions.



Use tie-wire or screws to secure frame kit.

Cut out dimensions:
2': Min: 24.25"
Max: 24.563"

TUNABLE WHITE PERFORMANCE CHART

Lumen Output		Delivered Lumens	Tested System Watts	LPW
2000	2000L	2001	24	82
2500	2500L	2508	30	83
	2500LH	2510	29	85
3000	3000L	2999	37	81
	3000LH	3000	34	89
3500	3500L	3511	43	81
	3500LH	3503	39	89
4000	4000LH	3999	45	89
4500	4500LH	4508	51	89
5000	5000LH	5008	61	83
5500	5500LH	5501	68	81
6000	6000LH	6003	74	81
6500	6500LH	6516	81	81

Based on 2700K, 80 CRI, Opal Acrylic Lens. Lumen output may vary +/- 5%. Actual wattage may vary +/- 5%.

Lumen Multipliers

CRI	Multiplier
80+	1.00
90+	0.89
Shielding	Multiplier
AC	1.00
MG	0.94

Wattage Multipliers

CCT	Multiplier
2700K	1.00
3000K	0.92
3500K	0.88
4000K	0.86
5000K	0.85
5700K	0.87
6500K	0.90



TUNABLE WHITE Luminaire Series

Equation 2	FEQ2	
Nominal Size		22
2' x 2'	22	
Shielding		
Opal Acrylic Lens	AC	
MicroGlow Prismatic Lens	MG	
Lumen Output		
Standard		
2000 Lumens	2000L	
2500 Lumens	2500L	
3000 Lumens	3000L	
3500 Lumens	3500L	
High Efficiency		
2500 Lumens	2500LH	
3000 Lumens	3000LH	
3500 Lumens	3500LH	
4000 Lumens	4000LH	
4500 Lumens	4500LH	
5000 Lumens	5000LH	
5500 Lumens*	5500LH	
6000 Lumens*	6000LH	
6500 Lumens*	6500LH	
(*Grid, Slot Tee Only)		
Color Temperature		
Tunable White: 2700-6500K, 80+ CRI	2765T	
Tunable White: 2700-6500K, 90+ CRI	92765T	
Circuit		1C
Single Circuit	1C	
Voltage		
UNV 120/277 Volt (5000 Lumens max.)	UNV	
120 Volt	120	
277 Volt	277	
Control System & Dimming Level		
0-10V - 1% Dimming (Not available with surface or cable mount. Overall luminaire height increases to 4.52")	L1TW	
DALI - 1% Dimming (Default driver offers DT6 control. It requires two addresses, one for intensity & one for CCT tuning. Consult factory for DT8. Extended lead time applies.)	D1TW	
Mounting		
24" Aircraft Cable (Not available with L1TW)	C24	
48" Aircraft Cable (Not available with L1TW)	C48	
96" Aircraft Cable (Not available with L1TW)	C96	
Drywall Frame Kit (Cut out dimensions: Min: 24.25"/Max: 24.563")	F	
15/16" Grid	G1	
9/16" Grid	G2	
Slot Tee	ST	
Surface Mount (Not available with L1TW)	SM	
Factory Options		
Air Return (Overall height with Air Return is 4.62"-4.89")	AR	
Chicago Plenum (Not available with flex whip)	CP	
Emergency Battery with Integral Test Switch (4500 Lumen max.)	EM	
6' New York City Flex Whip (120V)	FNY1	
6' New York City Flex Whip (277V)	FNY2	
6' Flex Whip	FW	
Finish		WH
Matte Satin White	WH	

Focal Point provides flexibility in meeting the needs of each project by integrating with several building lighting control systems. A variety of sensors, drivers and other components can be specified that allow the luminaires to communicate with wired and wireless networks. All zoning can be digitally reconfigured through the application software. Daylight harvesting, occupancy sensing, integration with HVAC systems, and individual controls enable the monitoring and modulating of light levels and temperature in order to save energy, reduce costs and maximize occupants' comfort. All Connected Solutions luminaires require a compatible building control system.†

Connected Solution	Ordering Code	Model #**	Protocol	Compatible Networks*	Occupancy & Daylight	Temperature Reporting	Communication to Luminaire	Drivers	
 legrand WATTSTOPPER®		DLM1	LMFC-011	DLM	DLM	Enabled	No	Wired 	Advance by Signify, Optotronic by eldoLED
		LMFS1	LMFS-601 & LMF1-111	DLM Wireless	DLM	Enabled	No	Wireless	Advance by Signify
		LMFSD	LMFS-601						Optotronic by eldoLED (Dexal)
 COOPER Lighting Solutions		WLXP	OEM-WAA	WaveLinx Wireless	WaveLinx Pro Trellix	Enabled	No	Wireless (WaveLinx Pro Wireless Area Controller)	Advance by Signify
 CRESTRON		D11	Specified Driver	DALI	Crestron Züm Wireless & SpaceBuilder	Enabled	No	Wired	eldoLED ECOdrive
		L11		0-10V					Advance by Signify
 ENCELUM		CLM1	ZBHA-CLM-DIM-ENC	ZigBee	Encelium X Light Management System	Enabled	No	Wireless	Optotronic by eldoLED Advance by Signify
 LUTRON		LAW1	A-WN-D01-RF-WH	0-10V DALI†	Athena Wireless	Enabled	No	Wireless	Advance by Signify
		LAWS	A-WN-D01-OCC-WH	0-10V DALI†	Athena Wireless	Integrated	No	Wireless	Advance by Signify
		LH1	LDE1	EcoSystem	Quantum, Energi Savr Node, Energi TriPak	Enabled	No	Wired	Lutron Hi-Lume
 nLIGHT		NLT1	nEPS-60-IO	nLight	nLight	Enabled	No	Wired 	eldoLED ECOdrive, eldoLED SOLOdrive
 LIGHTING CONTROLS		NXE1	NXFM-LV	NX	NX Distributed Intelligence	Enabled	No	Wired 	Optotronic by eldoLED

*Not all compatible networks may be listed. **For performance data and additional control system details please visit the connected solutions manufacturer websites. Primary drivers are listed in bold. To specify a particular driver please consult factory. †Controls systems supplied by others. †0-10V standard with Lutron Athena options, consult factory for DALI.