

# ID+ 2.5" x 2.5"

OVERLAP & TRIMLESS LED WALL WASH



FOCAL POINT®



White painted



Clear diffuse



Warm diffuse



Black painted



Optional painted flange

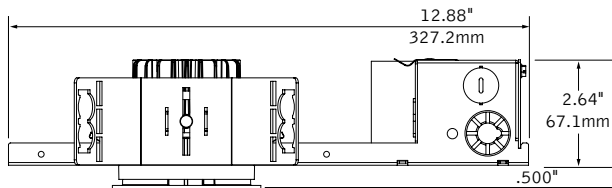


Downlight companion

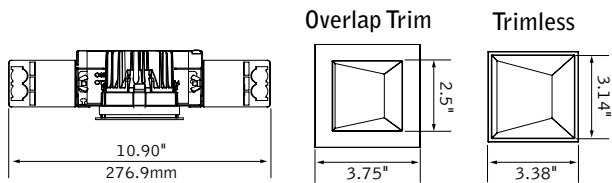


The Naturals collection - Walnut shown

## DIMENSIONAL DATA



Field adjustability of ceiling thickness from 0.5" - 1.5"  
Housing height with DALI, Lutron & LZ1 drivers is 3.0"



## FEATURES

Less than 2.64" low profile housing available.

60° cut-off reflector.

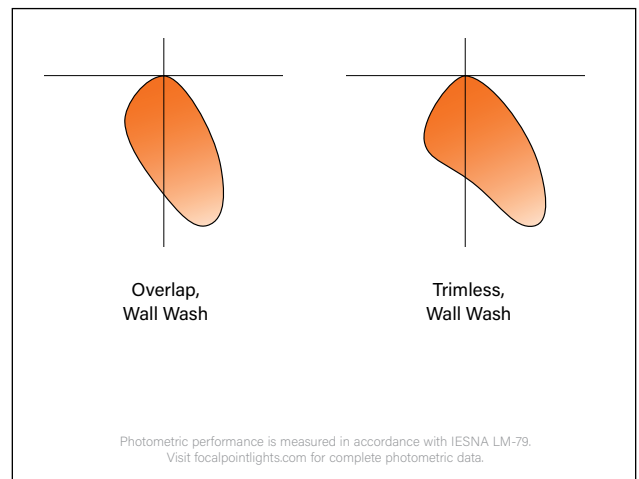
Warm Dim: Lighting that enhances spaces with a warm glow, reminiscent of incandescent or halogen light sources.

PoE compatible: Integrates with Power over Ethernet lighting systems via standard, low-voltage wires.

Configurations available for Title 24 JA8 High Efficacy Lighting compliance.

Available with The Naturals, a series of finishes that exude biophilic beauty.

## DISTRIBUTIONS

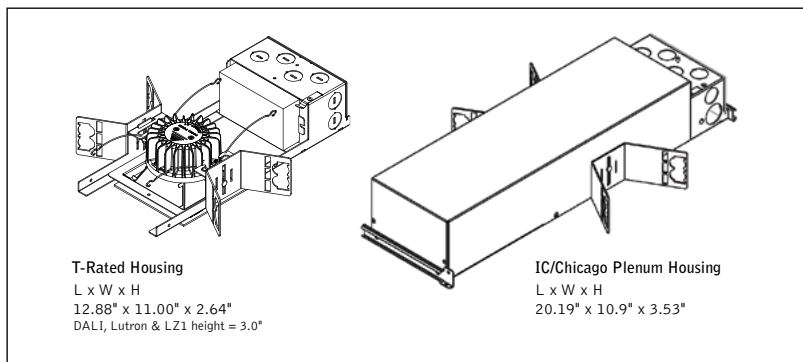


Photometric performance is measured in accordance with IESNA LM-79.  
Visit focalpointlights.com for complete photometric data.

fixture:

project:

**HOUSING DETAILS**



**T-Rated Housing**  
L x W x H  
12.88" x 11.00" x 2.64"  
DALI, Lutron & LZ1 height = 3.0"

**IC/Chicago Plenum Housing**  
L x W x H  
20.19" x 10.9" x 3.53"

**HOUSING SPECIFICATIONS**

**Construction**

Thermally protected housing for new construction applications. Insulation to be kept 3" away from housing. Type IC inherently protected, suitable for direct contact with insulation. Restrictive airflow per ASTM-E283. Trim is inherently airtight and may be used to obtain airtight rating when used with IC-rated or thermally protected, non-IC (T) housings. Butterfly brackets allow mounting to 1/2" emt. Order bar hangers as an accessory. Die-cast aluminum heat sink designed for maximum thermal dissipation. Die-formed housing and integral junction box with (7) 1/2" pry outs. Accommodates ceiling thicknesses up to 0.5" standard, field adjustable up to 1.5" thickness. Fixture will not exceed 5 lb.

**Electrical**

Choice of constant current dimming drivers. Power factor > .9 typical. PoE compatible: Integrates with Power over Ethernet lighting systems via standard, low-voltage wires.

**Labels**

UL and cUL Listed. Suitable for Dry, Damp or Wet Locations, indoor use only. Specify Outdoor rated (OD) for outdoor recessed ceiling applications. Configurations available for Title 24 JA8 compliance, consult the JA8 High Efficacy Lighting Reference Guide for options. JA8 factory option must be specified to ensure Title 24 JA8 compliance.

**Lumen Maintenance**

Reported: L70 at >55,000 hours      Calculated: L70 at 204,000 hours  
L90 at >55,000 hours                      L90 at 59,000 hours

Derived from EPA TM-21 calculator. Based on typical conditions, consult factory for additional data.

**Reliability**

At Focal Point, our products are designed to stand the test of time. Each luminaire is engineered using superior components, manufactured with the utmost care and rigorously tested. Contact us for reliability data.

**Warranty**

LED System rated for operation in ambient environments up to 25°C. 5-year limited warranty. Fixture with Outdoor rated option must be installed in a covered ceiling and is warranted for operation in ambient environments between -20°C to +40°C.

**TRIM & LED SPECIFICATIONS**

**LED System**

Proprietary array incorporates premium LEDs on a robust platform. May be specified in 2700K, 3000K, 3500K or 4000K, or Warm Dimming (2700K-1800K and 3000K-1800K), CRI>80, >90 or 97. Color accuracy within 2 SDCM (Warm Dimming from 3-5 SDCM). Aluminum heat sink provides appropriate thermal management.

**Aesthetics**

Die-cast aluminum trims. Overlap trims are self-flanged.

**Optics**

Wall wash features three layers of acrylic diffusers and an optic to provide premier performance.

**PERFORMANCE TABLE**

	Lumen Output	Delivered Lumens	System Watts	LPW
WD	500L	551	16.6	33
	500L	532	8.9	60
	700L	733	12.1	61
	900L	946	17.8	53
	1100L	1163	21.9	53

Based on Overlap, Short cone, 3500K, 80 CRI, Clear Diffuse. WDM based on 3000 - 1800K, 90 CRI. Delivered lumen output may vary +/- 5%. Actual wattage may vary +/- 5%

**HOUSING ORDERING**

<b>Housing Series</b>	<b>FLC22W</b>
ID+ 2.5" Square	FLC22W
<b>Trim Type</b>	
Square Overlap	SDO
Square Trimless	SDT
<b>Color Options</b>	
Standard White, 80 & 90 CRI	SW
High 97 CRI	HC
Warm Dim	WDM
<small>(500L only. UNV &amp; LV not available.)</small>	
<b>Lumen Output</b>	
500 Lumen	500L
<small>(Not available with LH1)</small>	
700 Lumen	700L
900 Lumen	900L
1100 Lumen	1100L
<b>Voltage</b>	
120/277 Volt	UNV
<small>(IC-rated housing: SW &amp; HC: 900L max. T &amp; TW housings: SW: 700L max., HC: 500L only.)</small>	
120V	120
277V	277
<b>Low Voltage</b>	LV
<small>(IC-rated housing: SW &amp; HC: 900L max. T &amp; TW housings: SW: 700L max., HC: 500L only.)</small>	
<b>Control System &amp; Dimming Level</b>	
0-10V <1% Dimming	LZ1
0-10V - 1% Dimming	L11
0-10V - 10% Dimming	LD1
<b>Low Voltage, PoE Compatible</b>	LVN
<small>(No driver. LV voltage only)</small>	
<b>Forward Phase</b> <small>(120V only)</small>	LFP
<b>Lutron Hi-Lume EcoSystem (LDE1) - 1% Dimming</b>	LH1
DALI <1% Dimming	DZ1
DALI - 1% Dimming	D11
<b>Housing Type</b>	
IC Rated / Airtight <small>(900L max.)</small>	IC
Thermally Protected, Non-IC	T
Thermally Protected, Non-IC Wood	TW
<small>(Trimless only. Wood kit required)</small>	
<b>Factory Options</b>	
Bar Hangers	BH
Chicago Plenum	CP
Outdoor Rated	OD
<small>(LD1 driver and T-rated housing only. Not available with CP. See dimming performance table on page 3.)</small>	
<b>Title 24 / JA8 Compliant</b>	JA8
<small>(Consult JA8 Reference Guide for available options.)</small>	
<b>TRIM &amp; LED MODULE</b>	
<b>Aperture</b>	<b>LC22</b>
2.5" Square Reflector	LC22
<b>Trim Type</b>	
Square Overlap	SDO
Square Trimless	SDT
<b>Lumen Output</b>	
<small>(Trim &amp; housing output must match)</small>	
500 Lumen	500L
700 Lumen	700L
900 Lumen	900L
1100 Lumen	1100L
<b>Color Temperature</b>	
<small>(Add 9 for 90 CRI or H for 97 CRI. Leave blank for 80 CRI. Examples: 2700K, 97 CRI = H27K. 2700K, 80 CRI = 27K.)</small>	
2700K, 80/90/97+ CRI	_27K
3000K, 80/90/97+ CRI	_30K
3500K, 80/90/97+ CRI	_35K
4000K, 80/90/97+ CRI	_40K
Warm Dim: 2700-1800K, 90+ CRI	92718W
Warm Dim: 3000-1800K, 90+ CRI	93018W
<b>Optic</b>	<b>WW</b>
Wall Wash	WW
<b>Finish</b>	
<small>(See finishes page for The Naturals options)</small>	
Clear Diffuse	CD
Warm Diffuse	WD
Black	BK
White	WH
<b>Optional Flange Finish</b>	
<small>(Overlap CD &amp; WD finish only) (For matching finishes leave blank)</small>	
Black Painted	BP
White Painted	WP
<b>Factory Options</b>	
<b>Title 24 / JA8 Compliant</b> <small>(Trim &amp; housing must match.)</small>	JA8
<b>ACCESSORIES</b>	
Trimless Wood Ceiling Installation Kit	LC22- WOOD-KIT
<small>(One kit recommended per 10 downlights)</small>	

**OUTDOOR RATED (OD) DRIVER DIMMING PERFORMANCE TABLE**

Lumen Output	Minimum Dimming Level
500L	14%
700L	10%
900L	10%
1100L	10%

**2.5" SQUARE WALL WASH LUMEN MULTIPLIER TABLE**

**Color Temperature & CRI**

Trim Type	Optic	Color Temperature & CRI	Multiplier
ALL	Wall Wash [WW]	2700K 80+ CRI [27K]	0.93
		2700K 90+ CRI [927K]	0.75
		2700K 97 CRI [H27K]	0.67
		3000K 80+ CRI [30K]	0.93
		3000K 90+ CRI [930K]	0.81
		3000K 97 CRI [H30K]	0.72
		3500K 80+ CRI [35K]	1.00
		3500K 90+ CRI [935K]	0.81
		3500K 97 CRI [H35K]	0.73
		4000K 80+ CRI [40K]	1.00
		4000K 90+ CRI [940K]	0.87
		4000K 97 CRI [H40K]	0.75
2700-1800K	90+ CRI [92718K]	1.06	
3000-1800K	90+ CRI [93018K]	1.10	

**How To Use Lumen Multipliers**

**Formula:**  
 (Lumen Output Value) x  
 (Color Temperature & CRI) x  
 (Distribution) x  
 (Color)

**Distribution**

Trim Type	Optic	Multiplier
Square Trimless [SDT]	Wall Wash [WW]	1.14
Square Overlap [SDO]		1.06

**Example:**

LC22W-SDO-SW-700L-935K-WW-WH  
 (700) x (0.82) x (1.06) x (1.08) = 657lm  
 (estimated delivered lumens)

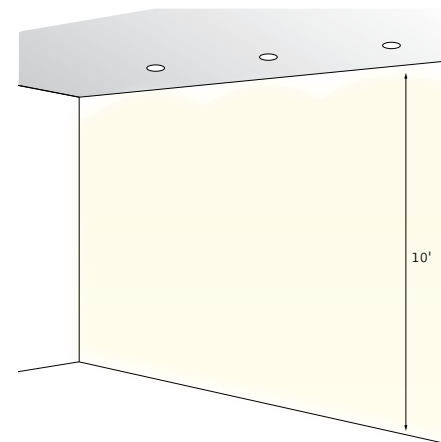
**Color**

Trim Type	Optic	Color	Multiplier
ALL	Wall Wash [WW]	Clear Diffuse [CD]	1.00
		Warm Diffuse [WD]	1.00
		White [WH]	1.08
		Black [BK]	0.93

Multiplier charts are provided to aid with estimation of lumen levels across options. Apply multipliers against ordered Lumen Output to estimate Delivered Lumens. An estimation should make use of all tables through consecutive application of three multipliers. Refer to IES files for most accurate photometric information.

**WALL WASH DESIGN GUIDE - 1100 LUMEN, SQUARE OVERLAP EXAMPLE**

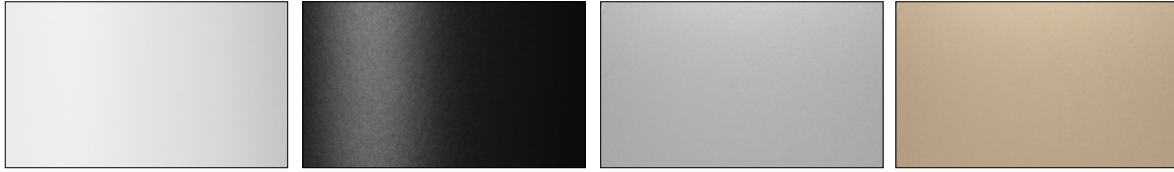
Calculation Point Distance from Ceiling	Footcandles									
	Fixtures 3' from Wall			Fixtures 3.5' from Wall			Fixtures 4' from Wall			
	3' OC	3.5' OC	4' OC	3' OC	3.5' OC	4' OC	3' OC	3.5' OC	4' OC	
1'-0"	3"	4 3 3	3 2 3	3 2 3	3 3 3	2 2 2	2 2 2	3 3 3	2 2 2	2 2 2
	6"	5 4 4	3 3 3	4 3 4	4 3 4	3 2 3	3 3 3	3 4 3	2 2 2	2 3 2
	9"	7 6 6	5 5 5	5 5 5	5 5 5	4 3 4	4 3 4	4 4 4	3 3 3	3 3 3
	12"	11 11 10	8 8 8	8 8 8	7 7 7	5 6 5	6 5 5	5 6 5	4 4 4	4 4 4
2'	14 14 14	10 10 10	10 9 10	9 9 9	7 7 7	7 6 7	6 6 6	4 5 4	4 5 4	
3'	20 22 20	15 17 15	14 15 14	15 17 15	11 13 11	11 12 11	11 13 11	8 10 8	8 9 8	
4'	21 23 20	16 19 16	15 17 15	17 20 17	13 16 13	13 15 13	14 16 14	11 13 11	10 12 10	
5'	19 21 18	14 17 14	14 16 14	17 19 17	13 16 13	13 14 12	15 17 15	11 14 11	11 13 11	
6'	16 17 15	12 14 12	12 13 12	15 17 15	12 14 12	11 13 11	14 16 14	11 13 11	11 12 10	
7'	13 14 13	10 12 10	10 11 10	13 15 13	10 12 10	0 11 10	13 14 13	10 11 10	10 11 9	
8'	11 12 10	8 9 8	8 9 8	11 12 11	9 10 9	8 9 8	11 13 11	9 10 9	8 10 8	
9'	9 10 9	7 8 7	7 8 7	10 11 9	7 8 7	7 8 7	10 11 10	8 9 7	7 8 7	
10'	6 6 6	5 5 4	4 5 4	6 7 6	5 6 5	5 5 5	7 8 7	5 6 5	5 6 5	



# Finishes



## STANDARD FINISHES



WHITE WH BLACK BK CLEAR DIFFUSE CD WARM DIFFUSE WD

## THE NATURALS (25% SCALE)



LIGHT OAK LOK GRAY ELM GRE CHESTNUT CHT WALNUT WLT WOVEN LINEN WLN