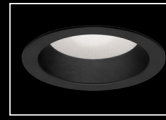
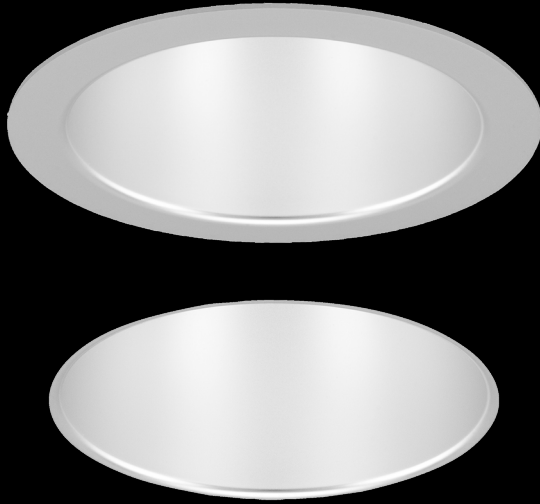


ID+ 3.5"

OVERLAP & TRIMLESS LED DOWNLIGHTS



Overlap Solite lens



Clear diffuse



Warm diffuse



Black



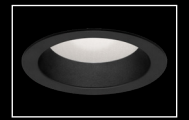
White



Optional painted flanges



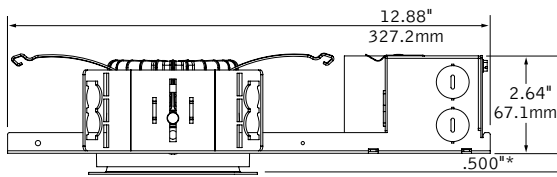
Wall Wash companion



Adjustable Accent companion

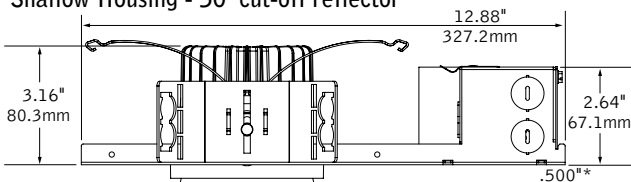
DIMENSIONAL DATA

Very Shallow Housing - 60° and 75° cut-off reflectors

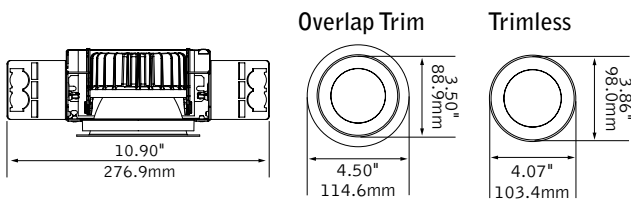


Housing height with DALI, Lutron & LZ1 drivers is 3.0"

Shallow Housing - 50° cut-off reflector



*Field adjustability of ceiling thickness from 0.5" - 1.5"



FEATURES

Less than 2.64" low profile housing available.

50°, 60° and 75° cut-off reflector options available.

25° to 90° beam spreads support accent lighting, task lighting and general illumination.

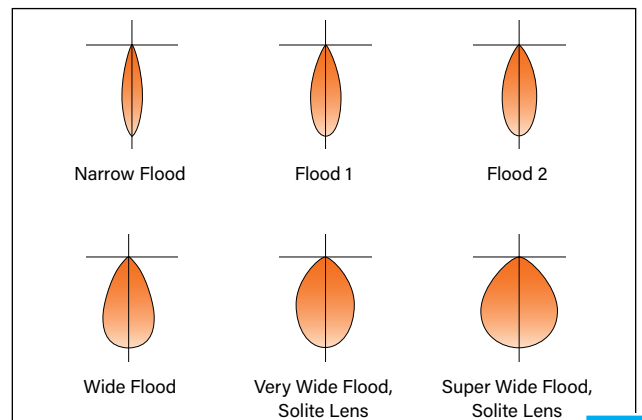
Solite lens with die-cast trim allows for a coordinated aesthetic with ID+ 3.5" Adjustable Accent and delivers 70° or 90° beam spread options.

Tunable White: Supports human activity, well-being, and preferences with a light quality that evolves throughout the day.

Warm Dim: Lighting that enhances spaces with a warm glow, reminiscent of incandescent or halogen light sources.

PoE compatible: Integrates with Power over Ethernet lighting systems via standard, low-voltage wires.

DISTRIBUTIONS



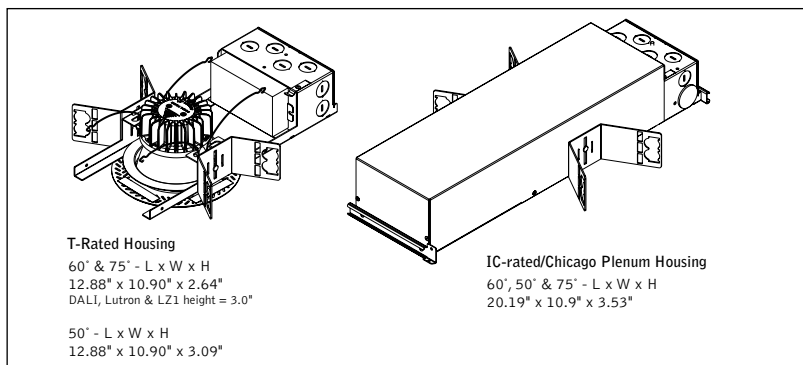
Based on Overlap Trim, Tall Cone except Solite Lens versions, Clear Diffuse. Photometric performance is measured in accordance with IESNA LM-79. Visit focalpointlights.com for complete photometric data. Visit energystar.gov for model specifics.



fixture:

project:

STANDARD WHITE HOUSING DETAILS



3.5" ROUND DOWNLIGHT OPTICS

Optic	Cut-Off Degree	Trim Type	Distribution Beam Spread Spacing Criteria					
			NFL	FL1	FL2	WFL	VWFL	SWFL
DNT	50°	Overlap	25° 0.42	37° 0.62	44° 0.72	59° 0.89	67° 1.02	
		Trimless	26° 0.54	37° 0.62	44° 0.76	58° 0.87	-	-
DNS	60°	Overlap	24° 0.42	34° 0.67	47° 0.81	54° 0.87	65° 0.99	
		Trimless	25° 0.42	37° 0.63	45° 0.75	56° 0.92	-	-
DSS	75°	Overlap	-	-	-	-	73° 1.07	91° 1.26
		Trimless	-	-	-	-	74° 1.07	91° 1.24

3.5" ROUND DOWNLIGHT PERFORMANCE TABLES

Based on Overlap, Tall Cone, Wide Flood, Clear Diffuse. Delivered lumen output may vary +/- 5%. Actual wattage may vary +/- 5%.

STANDARD WHITE				
CCT	Lumen Output	Delivered Lumens	System Watts	LPW
3500K, 80CRI	700L	721	8	90
	900L	919	10	94
	1100L	1112	12	96
	1300L	1298	16	83
	1500L	1484	17	85
	1700L	1682	19	86
	1900L	1909	22	87
	2100L	2144	25	86

STANDARD WHITE

HOUSING ORDERING

Housing Series	FLC3D	FLC3D
ID+ 3.5" Round		
Trim Type		
Round Overlap	RO	
Round Trimless	RT	
Color Options		
Standard White, 80 & 90 CRI	SW	
High 97 CRI	HC	
Lumen Output		
700 Lumen (Not available with Lutron or LFP)	700L	
900 Lumen (Not available with LFP)	900L	
1100 Lumen	1100L	
1300 Lumen	1300L	
1500 Lumen	1500L	
1700 Lumen	1700L	
1900 Lumen	1900L	
2100 Lumen	2100L	
Voltage		
120/277 Volt	UNV	
(IC-rated housing: SW - 1700lm max., HC - 1500lm max.)		
T-rated & TW housings: SW - 1100lm max., HC - 900lm max.)		
120V	120	
277V	277	
Low Voltage	LV	
(IC-rated housing: SW - 1700lm max., HC - 1500lm max.)		
T-rated & TW housings: SW - 1100lm max., HC - 900lm max.)		
Control System & Dimming Level		
0-10V <1% Dimming	LZ1	
0-10V - 1% Dimming	L11	
0-10V - 10% Dimming	LD1	
Low Voltage, PoE Compatible	LVN	
(No driver. Not available with EMR. LV voltage only.)		
Forward Phase (120V only)	LFP	
Lutron Hi-Lume EcoSystem (LDE1) - 1% Dimming	LH1	
DALI <1% Dimming	DZ1	
DALI - 1% Dimming	D11	
Housing Type		
IC-Rated / Airtight	IC	
Thermally Protected, Non-IC / Airtight	T	
Thermally Protected, Non-IC Wood	TW	
(Trimless only. Wood kit required.)		
Factory Options		
Bar Hangers	BH	
Chicago Plenum	CP	
Emergency Battery - Remote test switch*	EMR	
(Overlap trim only. Not available with CP or IC-rated housing. Above ceiling access required.)		
Outdoor Rated	OD	
(LD1 driver and T-rated housing only. Not available with CP or EMR. See dimming performance table on page 5.)		
TRIM & LED MODULE		
Aperture		LC3
3.5" Round Reflector	LC3	
Trim Type		
Round Overlap	RO	
Round Die-Cast Overlap (DSS only)	RDO	
Round Trimless	RT	
Round Die-Cast Trimless (DSS only)	RDT	
Color Options		
Standard White, 80 & 90 CRI	SW	
High 97 CRI	HC	
Lumen Output		
700 Lumen (Not available with Lutron or LFP)	700L	
900 Lumen (Not available with LFP)	900L	
1100 Lumen	1100L	
1300 Lumen	1300L	
1500 Lumen	1500L	
1700 Lumen	1700L	
1900 Lumen	1900L	
2100 Lumen	2100L	
Color Temperature		
(Add 9 for 90 CRI or H for 97 CRI. Leave blank for 80 CRI. Examples: 2700K, 97 CRI = H27K. 2700K, 80 CRI = 27K.)		
2700K, 80/90/97+ CRI	_27K	
3000K, 80/90/97+ CRI	_30K	
3500K, 80/90/97+ CRI	_35K	
4000K, 80/90/97+ CRI	_40K	
Optic		
Tall Cone with 50° cut-off	DNT	
Short Cone with 60° cut-off	DNS	
Super Short Cone with Solite Lens 75° cut-off	DSS	
(Die-cast trims only. VWFL or SWFL only.)		
Distribution		
Narrow Flood	NFL	
Flood 1	FL1	
Flood 2	FL2	
Wide Flood	WFL	
Very Wide Flood (Overlap all optics. Trimless DSS only)	VWFL	
Super Wide Flood (DSS only)	SWFL	
Finish		
Clear Diffuse	CD	
Warm Diffuse	WD	
Black	BK	
White	WH	
Optional Flange Finish		
(Overlap CD & WD finish only) (For matching finishes leave blank)		
Black Painted	BP	
White Painted	WP	
ACCESSORIES		
Trimless Wood Ceiling Installation Kit	LC3- WOOD-KIT	
(One kit recommended per 10 downlights)		

QS 5/10 DAY* Options in orange qualify for the Quickship program. All options 5-day up to 200 pieces except Emergency Battery 10-day only.

Focal Point LLC reserves the right to change specifications for product improvement without notification.

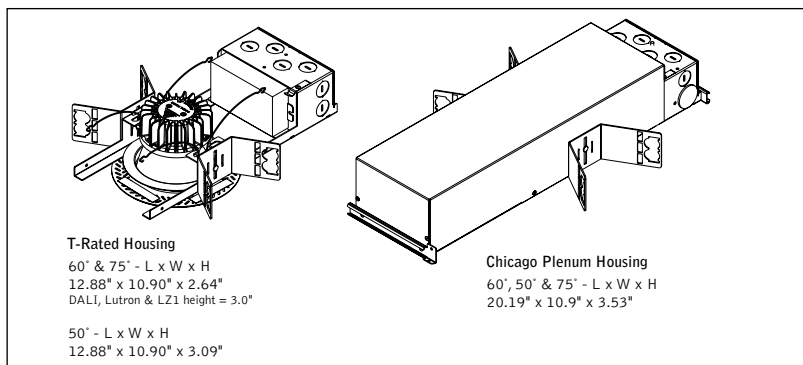
fixture:

project:



WARM DIM HOUSING ORDERING

WARM DIM HOUSING DETAILS



Housing Series	ID+ 3.5" Round	FLC3D
Trim Type	Round Overlap	RO
	Round Trimless	RT
Color Options	Warm Dim	WDM
Lumen Output	1500 Lumen	1500L
Voltage	120V	120
	277V	277

FLC3D

WDM

1500L

Control System & Dimming Level

0-10V <1% Dimming	LZ1
0-10V - 1% Dimming	L11
0-10V - 10% Dimming	LD1
Forward Phase (120V only)	LFP
Lutron Hi-Lume EcoSystem (LDE1) - 1% Dimming	LH1
DALI <1% Dimming	DZ1
DALI - 1% Dimming	D11

Housing Type

Thermally Protected, Non-IC / Airtight	T
Thermally Protected, Non-IC Wood <small>(Trimless only. Wood kit required)</small>	TW

Factory Options

Bar Hangers	BH
Chicago Plenum	CP
Outdoor Rated	OD

(LD1 driver and T-rated housing only. Not available with CP. See dimming performance table on page 5.)

TRIM & LED MODULE

Aperture

3.5" Round Reflector	LC3
----------------------	-----

Trim Type

Round Overlap	RO
Round Die-Cast Overlap (DSS only)	RDO
Round Trimless	RT
Round Die-Cast Trimless (DSS only)	RDT

Color Options

Warm Dim	WDM
----------	-----

WDM

Lumen Output

1500 Lumen	1500L
------------	-------

1500L

Color Temperature

Warm Dim: 2700-1800K, 90+ CRI	92718W
Warm Dim: 3000-1800K, 90+ CRI	93018W

Optic

Tall Cone with 50° cut-off	DNT
Short Cone with 60° cut-off	DNS
Super Short Cone with Solite Lens 75° cut-off <small>(Die-cast trims only)</small>	DSS

Distribution

Narrow Flood	NFL
Flood 1	FL1
Flood 2	FL2
Wide Flood	WFL
Very Wide Flood <small>(Overlap all optics. Trimless DSS only)</small>	VWFL
Super Wide Flood <small>(DSS only)</small>	SWFL

Finish

Clear Diffuse	CD
Warm Diffuse	WD
Black	BK
White	WH

Optional Flange Finish

<small>(Overlap CD & WD finish only) (For matching finishes leave blank)</small>	
Black Painted	BP
White Painted	WP

ACCESSORIES

Trimless Wood Ceiling Installation Kit <small>(One kit recommended per 10 downlights)</small>	LC3- WOOD-KIT
--	------------------

3.5" ROUND DOWNLIGHT OPTICS

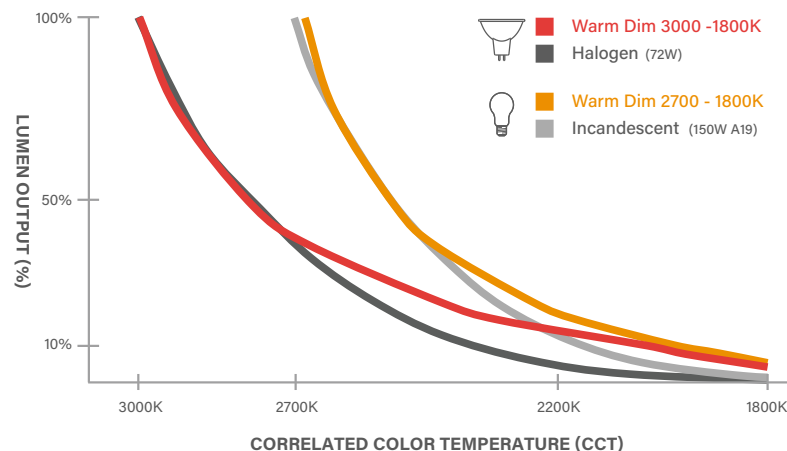
Optic	Cut-Off Degree	Trim Type	Distribution Beam Spread Spacing Criteria					
			NFL	FL1	FL2	WFL	VWFL	SWFL
DNT	50°	Overlap	25° 0.42	37° 0.62	44° 0.72	59° 0.89	67° 1.02	
		Trimless	26° 0.54	37° 0.62	44° 0.76	58° 0.87	-	-
DNS	60°	Overlap	24° 0.42	34° 0.67	47° 0.81	54° 0.87	65° 0.99	
		Trimless	25° 0.42	37° 0.63	45° 0.75	56° 0.92	-	-
DSS	75°	Overlap	-	-	-	-	73° 1.07	91° 1.26
		Trimless	-	-	-	-	74° 1.07	91° 1.24

3.5" ROUND DOWNLIGHT PERFORMANCE TABLE

Based on Overlap, Tall Cone, Wide Flood, Clear Diffuse. Delivered lumen output may vary +/- 5%. Actual wattage may vary +/- 5%

WD WARM DIM				
CCT Range	Lumen Output	Delivered Lumens	System Watts	LPW
2700 - 1800K	1500L	1524	25	61
3000 - 1800K	1500L	1555	25	61

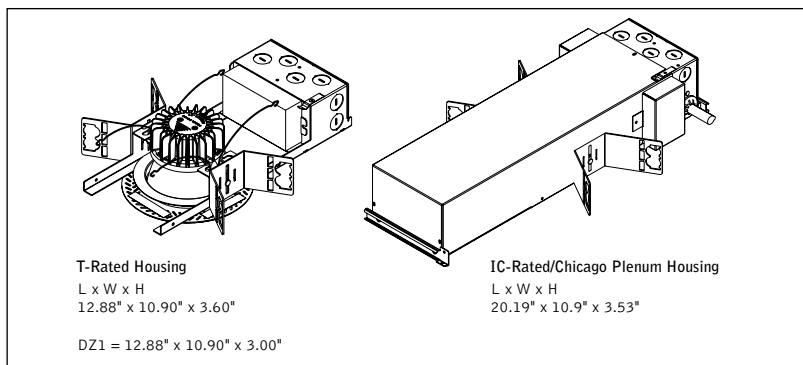
The 3000K to 1800K and 2700K to 1800K ranges mimic the black body curves of halogen and incandescent light sources, respectively.





TUNABLE WHITE HOUSING ORDERING

TUNABLE WHITE HOUSING DETAILS



Housing Series ID+ 3.5" Round	FLC3D	<u>FLC3D</u>
Trim Type Round Overlap Round Trimless	RO RT	_____
Color Options Tunable White: 1800-4000K <small>(900L max. T-rated housings only)</small> Tunable White: 2700-5000K Tunable White: 2700-6500K	1840T 2750T 2765T	_____
Lumen Output 700 Lumen 900 Lumen 1100 Lumen 1300 Lumen	700L 900L 1100L 1300L	_____
Voltage 120/277 Volt <small>(2705T & 2765T only. IC housing only.)</small> 120V 277V Low Voltage <small>(2705T & 2765T only. IC housing only.)</small> LV	UNV 120 277 LV	_____

3.5" ROUND DOWNLIGHT OPTICS

Optic	Cut-Off Degree	Trim Type	Distribution Beam Spread Spacing Criteria					
			NFL	FL1	FL2	WFL	VWFL	SWFL
DNT	50°	Overlap	25° 0.42	37° 0.62	44° 0.72	59° 0.89	67° 1.02	
		Trimless	26° 0.54	37° 0.62	44° 0.76	58° 0.87	-	-
DNS	60°	Overlap	24° 0.42	34° 0.67	47° 0.81	54° 0.87	65° 0.99	
		Trimless	25° 0.42	37° 0.63	45° 0.75	56° 0.92	-	-
DSS	75°	Overlap	-	-	-	-	73° 1.07	91° 1.26
		Trimless	-	-	-	-	74° 1.07	91° 1.24

Control System & Dimming Level

0-10V <1% Dimming DALI <1% Dimming <small>(Default driver offers DT6 control. It requires two addresses, one for intensity & one for CCT tuning. Consult factory for DT8. Extended lead time apply.)</small>	LZ1 DZ1	_____
Low Voltage, PoE Compatible <small>(No driver. Not available with EMR. LV voltage only.)</small>	LVN	_____

Housing Type

IC-Rated / Airtight <small>(700L only. 2750T or 2765T only.)</small> Thermally Protected, Non-IC / Airtight Thermally Protected, Non-IC Wood <small>(Trimless only. Wood kit required)</small>	IC T TW	_____
--	---------------	-------

Factory Options

Bar Hangers Chicago Plenum <small>(2750T & 2765T; 1100L max. 1840T: 700L only.)</small> Emergency Battery - Remote test switch <small>(Overlap trim only. Not available with CP or IC-rated housing. Above ceiling access required.)</small>	BH CP EMR	_____
--	-----------------	-------

3.5" ROUND DOWNLIGHT PERFORMANCE TABLES

Based on Overlap, Tall Cone, Wide Flood, Clear Diffuse. Delivered lumen output may vary +/- 5%. Actual wattage may vary +/- 5%

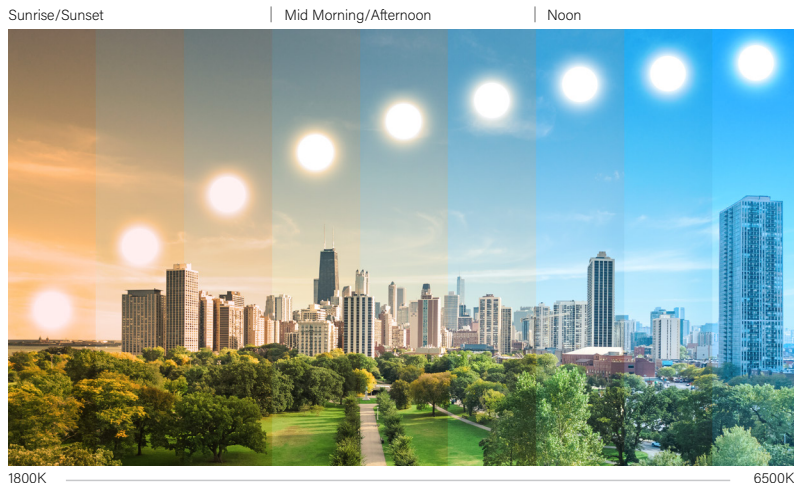
TUNABLE WHITE				
CCT	Lumen Output	Delivered Lumens	System Watts	LPW
2700K <small>(2700-5000K & 2700-6500K)</small>	700L	700	13	53
	900L	906	17	54
	1100L	1095	20	54
	1300L	1306	25	53
1800K <small>(1800-4000K)</small>	700L	701	20	36
	900L	898	25	37

TRIM & LED MODULE

Aperture 3.5" Round Reflector	LC3	<u>LC3</u>
Trim Type Round Overlap Round Die-Cast Overlap <small>(DSS only)</small> Round Trimless Round Die-Cast Trimless <small>(DSS only)</small>	RO RDO RT RDT	_____
Color Options <small>(Trim & housing must match)</small> Tunable White: 1800-4000K Tunable White: 2700-5000K Tunable White: 2700-6500K	1840T 2750T 2765T	_____
Lumen Output <small>(Trim & housing must match)</small> 700 Lumen 900 Lumen 1100 Lumen 1300 Lumen	700L 900L 1100L 1300L	_____

The Comfort (1800K-4000K), Preference (2700K-5000K), and Activity (2700K-6500K) ranges give specifiers the tools to enhance spaces, mood, and alertness.

DAYLIGHT RANGE



Color Temperature Tunable White: 1800-4000K, 90+ CRI Tunable White: 2700-5000K, 90+ CRI Tunable White: 2700-6500K, 90+ CRI	91840T 92750T 92765T	_____
Optic Tall Cone with 50° cut-off Short Cone with 60° cut-off Super Short Cone with Solite Lens 75° cut-off <small>(Die-cast trims only)</small>	DNT DNS DSS	_____
Distribution Narrow Flood Flood 1 Flood 2 Wide Flood Very Wide Flood <small>(Overlap all optics. Trimless DSS only.)</small> Super Wide Flood <small>(DSS only)</small>	NFL FL1 FL2 WFL VWFL SWFL	_____
Finish Clear Diffuse Warm Diffuse Black White	CD WD BK WH	_____
Optional Flange Finish <small>(Overlap CD & WD finish only) (For matching finishes leave blank)</small> Black Painted White Painted	BP WP	_____

ACCESSORIES

Trimless Wood Ceiling Installation Kit <small>(One kit recommended per 10 downlights)</small>	LC3- WOOD-KIT	_____
--	------------------	-------

HOUSING SPECIFICATIONS

Construction

Thermally protected housing for new construction applications. Insulation to be kept 3" away from housing. Type IC inherently protected, suitable for direct contact with insulation. Restrictive airflow per ASTM-E283. Butterfly brackets allow mounting to 1/2" emt. Order bar hangers as an accessory. Die-cast aluminum heat sink designed for maximum thermal dissipation. Die-formed housing and integral junction box with (7) 1/2" pry outs. Accommodates ceiling thicknesses up to 0.5" standard, field adjustable up to 1.5" thickness. For thicker ceiling consult factory. Fixture will not exceed 5 lb. Trim is inherently airtight and may be used to obtain airtight rating when used with IC-rated or thermally protected, non-IC (T) housings.

Electrical

Choice of constant current dimming drivers. Power factor > .9 typical. PoE compatible: Integrates with Power over Ethernet lighting systems via standard, low-voltage wires.

Emergency

Above ceiling access required. Overlap trim only. Emergency output - 7W for 90 minutes. Maximum mounting height — Clear Diffuse & White: 22.5ft. Black & Warm Diffuse: 15.3ft.

Labels

UL and cUL Listed. Suitable for Dry, Damp or Wet Locations, indoor use only. Specify Outdoor rated (OD) for outdoor recessed ceiling applications.

Outdoor Rated (OD) Driver Dimming Performance table

Lumen Output	Minimum Dimming Level
700L	20%
900L	16%
1100L	13%
1300L	10%
1500L	10%
1700L	10%
1900L	10%
2100L	10%

Lumen Maintenance

Reported: L70 at >55,000 hours Calculated: L70 at 204,000 hours
 L90 at >55,000 hours L90 at 59,000 hours

Derived from EPA TM-21 calculator. Based on typical conditions, consult factory for additional data.

Reliability

At Focal Point, our products are designed to stand the test of time. Each luminaire is engineered using superior components, manufactured with the utmost care and rigorously tested. Contact us for reliability data.

Warranty

LED System rated for operation in ambient environments up to 25°C. 5-year limited warranty. Fixture with Outdoor rated option must be installed in a covered ceiling and is warranted for operation in ambient environments between -20°C to +40°C.

TRIM & LED SPECIFICATIONS

LED System

Proprietary array incorporates premium LEDs on a robust platform. May be specified in 2700K, 3000K, 3500K or 4000K, Warm Dimming (2700K-1800K and 3000K-1800K), or Tunable White (1800K-4000K, 2700K-5000K and 2700K-6500K). CRI>80, >90 or 97. Color accuracy within 2 SDCM (Warm Dimming from 3-5 SDCM). 3500K and 4000K with CRI>90 have a cyanosis observation index (COI) of 3.3 or less. Aluminum heat sink provides appropriate thermal management.

Aesthetics

Parabolic reflector cone ensures glare free optics. DNT & DNS reflector is .050 spun aluminum. DSS reflector is die-cast aluminum. Trims are self-flanged. Non-painted trim matches reflector finish. Painted flange may also be specified.

Optics

50-degree, 60-degree or 75-degree cut-off to light source and its image.

Color Lumen Multipliers

CRI	STANDARD WHITE CCT				WARM DIM CCT RANGES		TUNABLE WHITE CCT RANGES		
	2700	3000	3500	4000	2700-1800K	3000-1800K	1800-4000K	2700-5000K	2700-6500K
80+	0.92	0.98	1.00	1.01	-	-	-	-	-
90+	0.79	0.83	0.82	0.84	1.02	1.04	1.00	1.00	1.00
97	0.67	0.72	0.73	0.76	-	-	-	-	-

Distribution Lumen Multipliers

Trim Type	Optic	Distribution	Multiplier
Round Trimless [RT]	Tall Cone with 50° cut-off [DNT]	Narrow Flood [NFL]	1.12
		Flood 1 [FL1]	0.92
		Flood 2 [FL2]	1.06
		Wide Flood [WFL]	0.92
	Short Cone with 60° cut-off [DNS]	Narrow Flood [NFL]	0.99
		Flood 1 [FL1]	0.96
		Flood 2 [FL2]	0.92
		Wide Flood [WFL]	0.95
Round Overlap [RO]	Tall Cone with 50° cut-off [DNT]	Narrow Flood [NFL]	0.97
		Flood 1 [FL1]	0.94
		Flood 2 [FL2]	1.09
		Wide Flood [WFL]	1.02
		Very Wide Flood [VWFL]	1.02
	Short Cone with 60° cut-off [DNS]	Narrow Flood [NFL]	0.98
		Flood 1 [FL1]	1.17
		Flood 2 [FL2]	1.11
		Wide Flood [WFL]	1.09
		Very Wide Flood [VWFL]	1.07
Round Die-Cast Trimless [RDT]	Super Short Cone with Solite Lens with 75° cut-off [DSS]	Very Wide Flood [VWFL]	1.00
		Super Wide Flood [SWFL]	0.95
Round Die-Cast Overlap [RDO]	Super Short Cone with Solite Lens with 75° cut-off [DSS]	Very Wide Flood [VWFL]	0.96
		Super Wide Flood [SWFL]	0.90

Color Lumen Multipliers

Trim Type	Optic	Color	Multiplier
Round Trimless [RT] and Round Overlap [RO]	Tall Cone with 50° cut-off [DNT]	Clear Diffuse [CD]	1.00
		Warm Diffuse [WD]	0.92
		White [WH]	1.09
		Black [BK]	0.46
Round Die-Cast Trimless [RDT] and Round Die-Cast Overlap [RDO]	Super Short Cone with Solite Lens with 75° cut-off [DSS]	Clear Diffuse [CD]	1.00
		Warm Diffuse [WD]	0.97
		White [WH]	1.16
		Black [BK]	0.86

How To Use Lumen Multipliers

Formula:

(Lumen Output Value) x (Color Temperature & CRI) x (Distribution) x (Color)

Example:

LC3-RO-SW-1100L-935K-DNS-FL1-WH
 (1100) x (0.81) x (1.17) x (1.12) ≈ 1167lm (estimated delivered lumens)

Multiplier charts are provided to aid with estimation of lumen levels across options. Apply multipliers against ordered Lumen Output to estimate Delivered Lumens. An estimation should make use of all tables through consecutive application of three multipliers. Refer to IES files for most accurate photometric information.