

# ID+ 3.5"

OVERLAP & TRIMLESS LED WALL WASH



clear diffuse



warm diffuse



Optional painted flanges



black painted



white painted



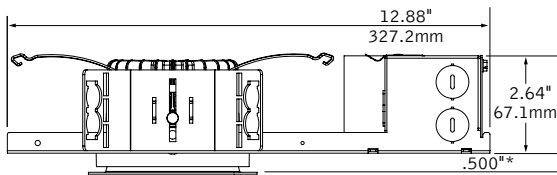
Downlight companion



Adjustable Accent companion

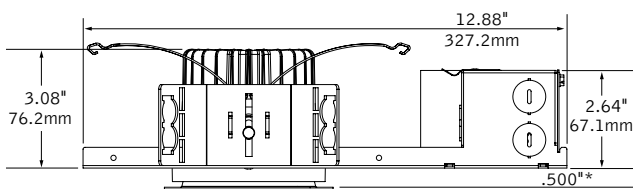
## DIMENSIONAL DATA

### 60° cut-off reflector

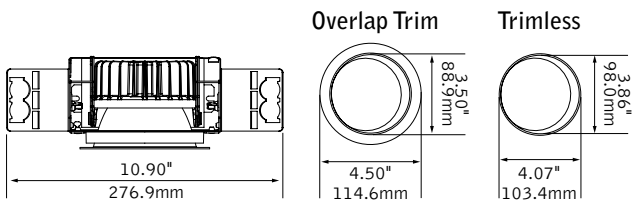


Housing height with DALI, Lutron & LZ1 drivers is 3.0"

### 50° cut-off reflector



\* Field adjustability of ceiling thickness from 0.5" - 1.5".



## FEATURES

Less than 2.64" low profile housing available.

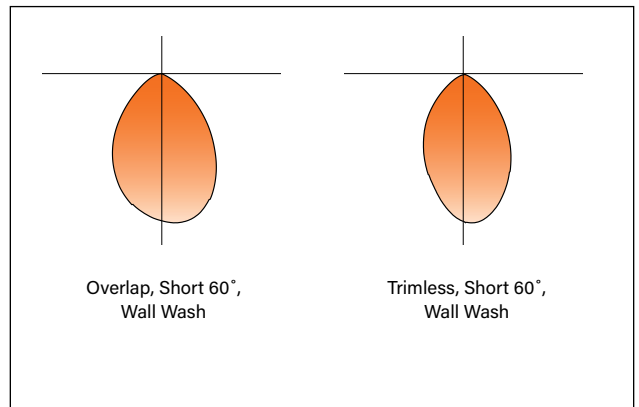
50° cut-off and 60° cut-off reflector options available.

Tunable White: Supports human activity, well-being, and preferences with a light quality that evolves throughout the day.

Warm Dim: Lighting that enhances spaces with a warm glow, reminiscent of incandescent or halogen light sources.

PoE compatible: Integrates with Power over Ethernet lighting systems via standard, low-voltage wires.

## DISTRIBUTIONS



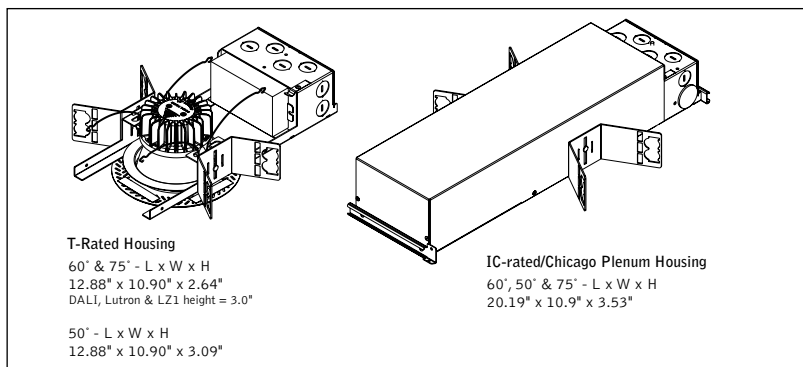
Photometric performance is measured in accordance with IESNA LM-79. Visit [focalpointlights.com](http://focalpointlights.com) for complete photometric data. Visit [energystar.gov](http://energystar.gov) for model specifics.



fixture:

project:

**STANDARD WHITE HOUSING DETAILS**



**3.5" ROUND WALL WASH PERFORMANCE TABLES**

Based on Overlap, Tall Cone, Clear Diffuse. Delivered lumen output may vary +/- 5%. Actual wattage may vary +/- 5%

STANDARD WHITE				
CCT	Lumen Output	Delivered Lumens	System Watts	LPW
3500K, 80CRI	700L	726	8	87
	900L	907	10	89
	1100L	1102	14	77
	1300L	1311	17	79
	1500L	1516	19	81
	1700L	1712	21	81
	1900L	1903	23	82
	2100L	2130	26	82

**STANDARD WHITE**

**HOUSING ORDERING**

<b>Housing Series</b>	<b>FLC3W</b>	<b>FLC3W</b>
ID+ 3.5" Round		
<b>Trim Type</b>		
Round Overlap	RO	
Round Trimless	RT	
<b>Color Options</b>		
Standard White, 80 & 90 CRI	SW	
High 97 CRI	HC	
<b>Lumen Output</b>		
700 Lumen	700L	
(Not available with Lutron or LFP)		
900 Lumen	900L	
(Not available with LFP)		
1100 Lumen	1100L	
1300 Lumen	1300L	
1500 Lumen	1500L	
1700 Lumen	1700L	
1900 Lumen	1900L	
2100 Lumen	2100L	
<b>Voltage</b>		
120/277 Volt	UNV	
(IC-rated housing: SW - 1700lm max., HC - 1500lm max. T-rated & TW housings: SW - 1100lm max., HC - 900lm max.)		
120V	120	
277V	277	
<b>Low Voltage</b>		
(IC-rated housing: SW - 1700lm max., HC - 1500lm max. T-rated & TW housings: SW - 1100lm max., HC - 900lm max.)		
Low Voltage	LV	
<b>Control System &amp; Dimming Level</b>		
0-10V <1% Dimming	LZ1	
0-10V - 1% Dimming	LT1	
0-10V - 10% Dimming	LD1	
<b>Low Voltage, PoE Compatible</b>		
(No driver. LV voltage only.)		
Forward Phase (120V only)	LFP	
Lutron Hi-Lume EcoSystem (LDE1) - 1% Dimming	LH1	
DALI <1% Dimming	DZ1	
DALI - 1% Dimming	D11	
<b>Housing Type</b>		
IC-Rated / Airtight	IC	
Thermally Protected, Non-IC	T	
Thermally Protected, Non-IC Wood (Trimless only. Wood kit required)	TW	
<b>Factory Options</b>		
Bar Hangers	BH	
Chicago Plenum	CP	
Outdoor Rated	OD	
(LD1 driver and T-rated housing only. Not available with CP. See dimming performance table on page 5.)		
<b>TRIM &amp; LED MODULE</b>		
<b>Aperture</b>		
3.5" Round Reflector	LC3	
3.5" Round Airtight Reflector	LC3AT	
<b>Trim Type</b>		
Round Overlap	RO	
Round Trimless	RT	
<b>Color Options</b>		
(Trim & housing must match)		
Standard White, 80 & 90 CRI	SW	
High 97 CRI	HC	
<b>Lumen Output</b>		
(Trim & housing output must match)		
700 Lumen	700L	
900 Lumen	900L	
1100 Lumen	1100L	
1300 Lumen	1300L	
1500 Lumen	1500L	
1700 Lumen	1700L	
1900 Lumen	1900L	
2100 Lumen	2100L	
<b>Color Temperature</b>		
(Add 9 for 90 CRI or H for 97 CRI. Leave blank for 80 CRI. Examples: 2700K, 97 CRI = H27K, 2700K, 80 CRI = 27K.)		
2700K, 80/90/97+ CRI	_27K	
3000K, 80/90/97+ CRI	_30K	
3500K, 80/90/97+ CRI	_35K	
4000K, 80/90/97+ CRI	_40K	
<b>Optic</b>		
Tall Cone with 50° cut-off	WWT	
Short Cone with 60° cut-off	WWS	
<b>Finish</b>		
Clear Diffuse	CD	
Warm Diffuse	WD	
Black	BK	
White	WH	
<b>Optional Flange Finish</b>		
(Overlap CD & WD finish only) (For matching finishes leave blank)		
Black Painted	BP	
White Painted	WP	
<b>ACCESSORIES</b>		
Trimless Wood Ceiling Installation Kit (One kit recommended per 10 downlights)	LC3- WOOD-KIT	

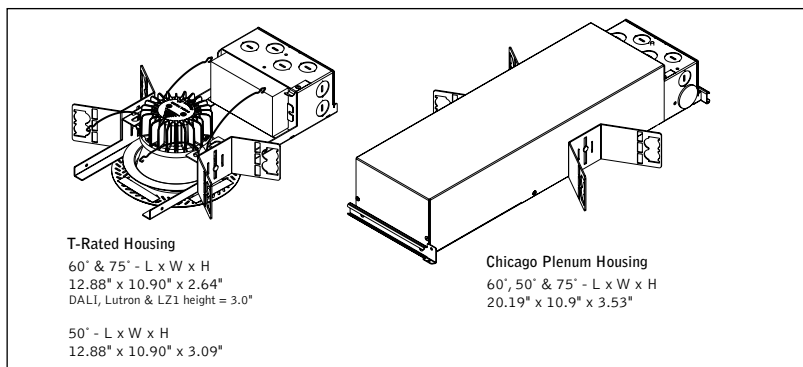
**QS 10 DAY** Options in orange qualify for 10-day Quickship up to 100 pieces. See Quickship Guide for more details.

Focal Point LLC reserves the right to change specifications for product improvement without notification.

fixture:

project:

**WARM DIM HOUSING DETAILS**



**WARM DIM**

**HOUSING ORDERING**

<b>Housing Series</b>	ID+ 3.5" Round	FLC3W
<b>Trim Type</b>	Round Overlap	RO
	Round Trimless	RT
<b>Color Options</b>	Warm Dim	WDM
<b>Lumen Output</b>	1500 Lumen	1500L
<b>Voltage</b>	120V	120
	277V	277

**Control System & Dimming Level**

0-10V <1% Dimming	LZ1
0-10V - 1% Dimming	L11
0-10V - 10% Dimming	LD1
Forward Phase (120V only)	LFP
Lutron Hi-Lume EcoSystem (LDE1) - 1% Dimming	LH1
DALI <1% Dimming	DZ1
DALI - 1% Dimming	D11

**Housing Type**

IC-Rated / Airtight	IC
Thermally Protected, Non-IC	T
Thermally Protected, Non-IC Wood (Trimless only. Wood kit required)	TW

**Factory Options**

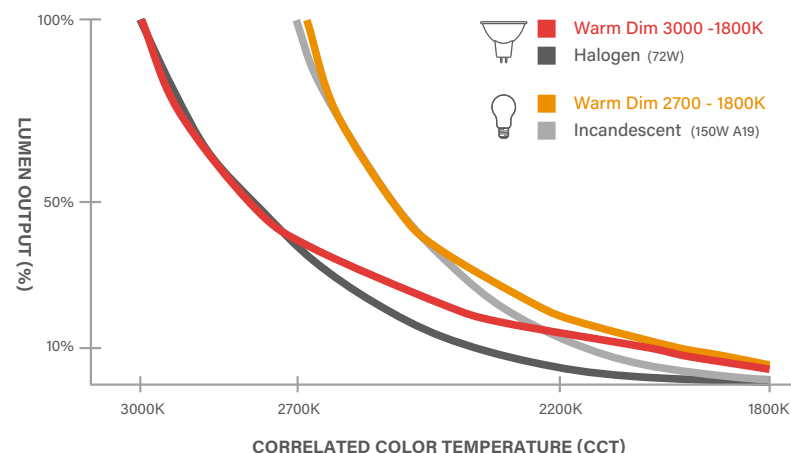
Bar Hangers	BH
Chicago Plenum	CP
Outdoor Rated (LD1 driver and T-rated housing only. Not available with CP. See dimming performance table on page 5.)	OD

**3.5" ROUND WALL WASH PERFORMANCE TABLE**

Based on Overlap, Tall Cone, Clear Diffuse. Delivered lumen output may vary +/- 5%. Actual wattage may vary +/- 5%

WD WARM DIM				
CCT Range	Lumen Output	Delivered Lumens	System Watts	LPW
2700 - 1800K	1500L	1367	25	55
3000 - 1800K	1500L	1395	25	56

The 3000K to 1800K and 2700K to 1800K ranges mimic the black body curves of halogen and incandescent light sources, respectively.



**TRIM & LED MODULE**

<b>Aperture</b>	3.5" Round Reflector	LC3
	3.5" Round Airtight Reflector	LC3AT
<b>Trim Type</b>	Round Overlap	RO
	Round Trimless	RT
<b>Color Options</b>	Warm Dim	WDM
<b>Lumen Output</b>	1500 Lumen	1500L
<b>Color Temperature</b>	Warm Dim: 2700-1800K, 90+ CRI	92718W
	Warm Dim: 3000-1800K, 90+ CRI	93018W
<b>Optic</b>	Tall Cone with 50° cut-off	WWT
	Short Cone with 60° cut-off	WWS
<b>Finish</b>	Clear Diffuse	CD
	Warm Diffuse	WD
	Black	BK
	White	WH

**Optional Flange Finish**

(Overlap CD & WD finish only) (For matching finishes leave blank)

Black Painted	BP
White Painted	WP

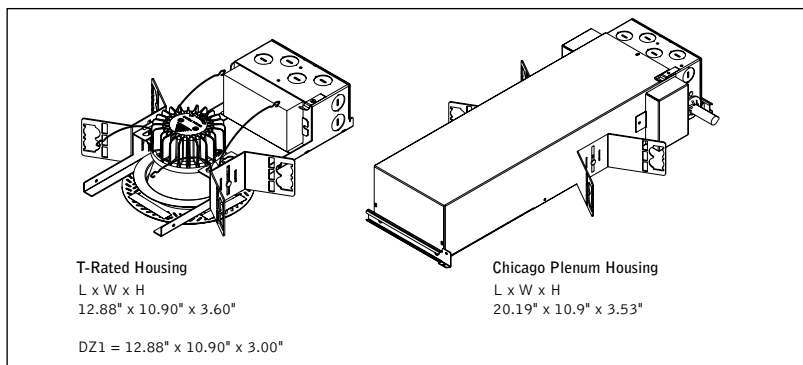
**ACCESSORIES**

Trimless Wood Ceiling Installation Kit (One kit recommended per 10 downlights)	LC3- WOOD-KIT
---	------------------

fixture:

project:

### TUNABLE WHITE HOUSING DETAILS



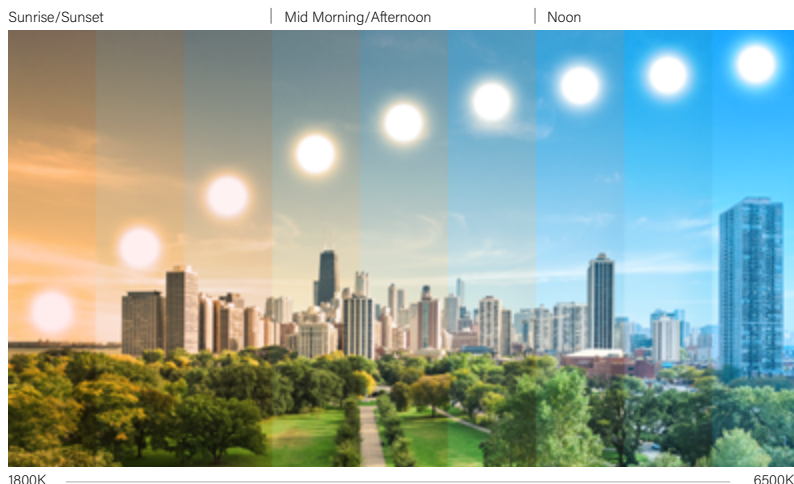
### 3.5" ROUND WALL WASH PERFORMANCE TABLES

Based on Overlap, Tall Cone, Clear Diffuse. Delivered lumen output may vary +/- 5%. Actual wattage may vary +/- 5%

TUNABLE WHITE				
CCT	Lumen Output	Delivered Lumens	System Watts	LPW
2700K (2700-5000K & 2700-6500K)	700L	710	15	47
	900L	899	19	47
	1100L	1116	24	46
1800K (1800-4000K)	700L	711	22	32

The Comfort (1800K-4000K), Preference (2700K-5000K), and Activity (2700K-6500K) ranges give specifiers the tools to enhance spaces, mood, and alertness.

#### DAYLIGHT RANGE



1800K 6500K



## TUNABLE WHITE

### HOUSING ORDERING

<b>Housing Series</b> ID+ 3.5" Round	FLC3W
<b>Trim Type</b> Round Overlap Round Trimless	RO RT
<b>Color Options</b> Tunable White: 1800-4000K <small>(700L only)</small> Tunable White: 2700-5000K Tunable White: 2700-6500K	1840T 2750T 2765T
<b>Lumen Output</b> 700 Lumen 900 Lumen 1100 Lumen	700L 900L 1100L
<b>Voltage</b> 120V 277V	120 277

### Control System & Dimming Level

0-10V <1% Dimming	LZ1
DALI <1% Dimming	DZ1
<small>(Default driver offers DT6 control. It requires two addresses, one for intensity &amp; one for CCT tuning. Consult factory for DT8. Extended lead time apply.)</small>	

### Housing Type

Thermally Protected, Non-IC	T
Thermally Protected, Non-IC Wood <small>(Trimless only. Wood kit required)</small>	TW

### Factory Options

Bar Hangers	BH
Chicago Plenum	CP
<small>(900L max. 2750T &amp; 2765T only.)</small>	

### TRIM & LED MODULE

<b>Aperture</b> 3.5" Round Reflector 3.5" Round Airtight Reflector	LC3 LC3AT
<b>Trim Type</b> Round Overlap Round Trimless	RO RT
<b>Color Options</b> <small>(Trim &amp; housing must match)</small> Tunable White: 1800-4000K Tunable White: 2700-5000K Tunable White: 2700-6500K	1840T 2750T 2765T
<b>Lumen Output</b> <small>(Trim &amp; housing must match)</small> 700 Lumen 900 Lumen 1100 Lumen	700L 900L 1100L

### Color Temperature

Tunable White: 1800-4000K, 90+ CRI	91840T
Tunable White: 2700-5000K, 90+ CRI	92750T
Tunable White: 2700-6500K, 90+ CRI	92765T

### Optic

Tall Cone with 50° cut-off	WWT
Short Cone with 60° cut-off	WWS

### Finish

Clear Diffuse	CD
Warm Diffuse	WD
Black	BK
White	WH

### Optional Flange Finish

<small>(Overlap CD &amp; WD finish only) (For matching finishes leave blank)</small>	
Black Painted	BP
White Painted	WP

### ACCESSORIES

Trimless Wood Ceiling Installation Kit <small>(One kit recommended per 10 downlights)</small>	LC3- WOOD-KIT
--	------------------

## HOUSING SPECIFICATIONS

### Construction

Thermally protected housing for new construction applications. Insulation to be kept 3" away from housing. Type IC inherently protected, suitable for direct contact with insulation. Restrictive airflow per ASTM-E283. Butterfly brackets allow mounting to 1/2" emt. Order bar hangers as an accessory. Die-cast aluminum heat sink designed for maximum thermal dissipation. Die-formed housing and integral junction box with (7) 1/2" pry outs. Accommodates ceiling thicknesses up to 0.5" standard, field adjustable up to 1.5" thickness. For thicker ceiling consult factory. Fixture will not exceed 5 lb. Trim is inherently airtight and may be used to obtain airtight rating when used with IC-rated or thermally protected, non-IC (T) housings.

### Electrical

Choice of constant current dimming drivers. Power factor > .9 typical. PoE compatible: Integrates with Power over Ethernet lighting systems via standard, low-voltage wires.

### Emergency

Above ceiling access required. Overlap trim only. Emergency output - 7W for 90 minutes. Maximum mounting height — Clear Diffuse & White: 22.5ft. Black & Warm Diffuse: 15.3ft.

### Labels

UL and cUL Listed. Suitable for Dry, Damp or Wet Locations, indoor use only. Specify Outdoor rated (OD) for outdoor recessed ceiling applications.

### Outdoor Rated (OD) Driver Dimming Performance table

Lumen Output	Minimum Dimming Level
700L	20%
900L	16%
1100L	13%
1300L	10%
1500L	10%
1700L	10%
1900L	10%
2100L	10%

### Lumen Maintenance

Reported: L70 at >55,000 hours      Calculated: L70 at 204,000 hours  
 L90 at >55,000 hours      L90 at 59,000 hours

Derived from EPA TM-21 calculator. Based on typical conditions, consult factory for additional data.

### Reliability

At Focal Point, our products are designed to stand the test of time. Each luminaire is engineered using superior components, manufactured with the utmost care and rigorously tested. Contact us for reliability data.

### Warranty

LED System rated for operation in ambient environments up to 25°C. 5-year limited warranty. Fixture with Outdoor rated option must be installed in a covered ceiling and is warranted for operation in ambient environments between -20°C to +40°C.

## TRIM & LED SPECIFICATIONS

### LED System

Proprietary array incorporates premium LEDs on a robust platform. May be specified in 2700K, 3000K, 3500K or 4000K, Warm Dimming (2700K-1800K and 3000K-1800K), or Tunable White (1800K-4000K, 2700K-5000K and 2700K-6500K), CRI>80, >90 or 97. Color accuracy within 2 SDCM (Warm Dimming from 3-5 SDCM). 3500K and 4000K with CRI>90 have a cyanosis observation index (COI) of 3.3 or less. Aluminum heat sink provides appropriate thermal management.

### Aesthetics

Parabolic reflector cone ensures glare free optics. DNT & DNS reflector is .050 spun aluminum. DSS reflector is die-cast aluminum. Trims are self-flanged. Non-painted trim matches reflector finish. Painted flange may also be specified.

### Optics

50-degree or 60-degree cut-off to light source and its image. Wall wash features acrylic diffuser to provide smooth illumination down the wall.

### Color Lumen Multipliers

CRI	STANDARD WHITE CCT				WARM DIM CCT RANGES		TUNABLE WHITE CCT RANGES		
	2700	3000	3500	4000	2700-1800K	3000-1800K	1800-4000K	2700-5000K	2700-6500K
80+	0.92	0.98	1.00	1.01	-	-	-	-	-
90+	0.79	0.83	0.82	0.84	0.91	0.93	1.00	1.00	1.00
97	0.67	0.72	0.73	0.76	-	-	-	-	-

### Distribution Lumen Multipliers

Trim Type	Optic	Distribution	Multiplier
Round Trimless [RT]	Tall Cone with 50° cut-off [WWT]	Wall Wash	1.03
	Short Cone with 60° cut-off [WWS]	Wall Wash	1.10
Round Overlap [RO]	Tall Cone with 50° cut-off [WWT]	Wall Wash	1.01
	Short Cone with 60° cut-off [WWS]	Wall Wash	1.10

### Color Lumen Multipliers

Trim Type	Optic	Color	Multiplier
ALL	Tall Cone with 50° cut-off [WWT]	Clear Diffuse [CD]	1.00
		Warm Diffuse [WD]	0.91
		White [WH]	1.08
		Black [BK]	0.46
	Short Cone with 60° cut-off [WWS]	Clear Diffuse [CD]	1.00
		Warm Diffuse [WD]	0.93
		White [WH]	1.11
		Black [BK]	0.56

### How To Use Lumen Multipliers

#### Formula:

(Lumen Output Value) x (Color Temperature & CRI) x (Distribution) x (Color)

#### Example:

LC3-RO-SW-1100L-935K-WWS-WH  
 (1100) x (0.81) x (1.10) x (1.11) ≈ 1088lm (estimated delivered lumens)

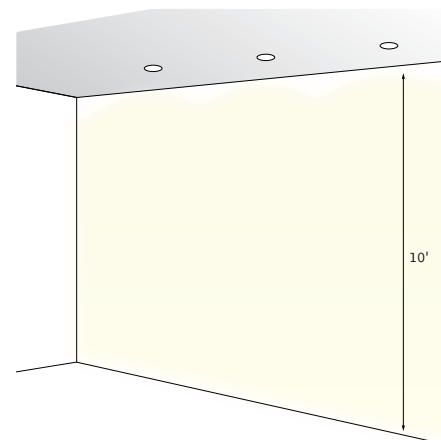
Multiplier charts are provided to aid with estimation of lumen levels across options. Apply multipliers against ordered Lumen Output to estimate Delivered Lumens. An estimation should make use of all tables through consecutive application of three multipliers. Refer to IES files for most accurate photometric information.

# ID+ 3.5"

LED WALL WASH

## WALL WASH DESIGN GUIDE - 1500 LUMEN, SHORT CONE (WWS) EXAMPLE

Calculation Point Distance from Ceiling	Footcandles									
	Fixtures 3' from Wall			Fixtures 3.5' from Wall			Fixtures 4' from Wall			
	3' OC	3.5' OC	4' OC	3' OC	3.5' OC	4' OC	3' OC	3.5' OC	4' OC	
1'-0"	3"	5 4 4	5 5 5	5 5 5	4 4 4	4 4 4	4 4 4	3 3 3	3 3 3	3 4 4
	6"	7 7 7	8 7 7	8 7 8	5 6 5	6 6 6	6 6 6	4 5 4	5 5 5	5 5 5
	9"	11 11 11	11 11 11	11 11 11	8 9 8	8 8 8	8 8 8	6 7 6	7 7 6	7 7 7
	12"	13 14 13	13 14 13	13 13 13	10 11 10	10 11 10	10 10 10	8 9 8	8 9 8	8 9 8
2'	15 16 15	15 15 15	15 15 15	12 13 12	11 12 11	11 12 11	9 10 9	9 10 9	9 10 9	
3'	17 19 18	17 18 17	17 17 17	14 15 14	14 14 14	13 14 13	11 13 11	11 12 11	11 12 11	
4'	19 22 19	19 20 19	18 19 18	16 17 16	15 16 15	14 15 14	13 14 13	12 13 12	11 13 11	
5'	18 21 18	17 20 17	16 18 16	16 19 16	15 17 15	14 16 14	14 16 14	13 15 13	12 14 12	
6'	16 19 16	15 17 15	14 16 14	15 17 15	14 16 14	13 15 13	14 16 14	13 15 13	12 14 12	
7'	14 16 14	13 15 13	12 14 12	14 15 14	13 15 13	12 14 12	13 15 13	12 14 12	11 13 11	
8'	12 13 12	11 13 11	11 12 11	12 13 12	11 13 11	11 12 11	12 13 12	11 12 11	10 12 10	
9'	10 11 10	10 11 10	9 10 9	11 12 11	10 11 10	9 11 9	10 11 10	10 11 10	9 11 9	
10'	7 7 7	6 7 6	6 7 6	7 8 7	7 7 7	6 7 6	7 8 7	7 8 7	6 7 6	



IES File: FLC3W-RO-SW-1500L-RO-SW-1500L-35K-WWS-CD. Parameters: 80/50/20 reflectances, LLF=.09

## WALL WASH DESIGN GUIDE - 1500 LUMEN, TALL CONE (WWT) EXAMPLE

Calculation Point Distance from Ceiling	Footcandles									
	Fixtures 3' from Wall			Fixtures 3.5' from Wall			Fixtures 4' from Wall			
	3' OC	3.5' OC	4' OC	3' OC	3.5' OC	4' OC	3' OC	3.5' OC	4' OC	
1'-0"	3"	6 6 6	7 6 7	7 6 7	5 5 5	5 5 5	5 5 6	4 4 4	4 4 4	5 5 5
	6"	9 9 9	9 9 9	10 9 10	7 7 7	7 7 7	8 7 7	6 6 6	6 6 6	6 7 6
	9"	13 14 13	13 13 13	13 13 13	10 11 10	10 10 10	10 10 10	8 9 8	8 9 8	8 9 8
	12"	16 17 16	16 16 16	16 16 16	12 13 12	12 13 12	12 13 12	10 11 10	10 10 10	10 11 10
2'	17 19 17	18 18 18	18 17 18	14 15 14	14 14 14	13 14 13	11 12 11	11 12 11	11 12 11	
3'	21 23 21	20 21 20	20 20 20	17 18 17	16 17 16	16 17 16	13 15 14	13 14 13	13 14 13	
4'	22 24 22	21 23 21	20 21 20	18 20 18	17 19 17	16 18 16	15 17 15	14 16 14	14 15 14	
5'	22 25 22	20 23 21	19 21 19	18 21 18	17 19 17	16 18 16	16 17 16	15 16 15	14 16 14	
6'	20 23 20	19 21 19	18 20 18	18 20 18	17 19 17	16 18 16	16 18 16	15 17 15	14 16 14	
7'	18 20 18	16 19 16	15 17 15	17 19 17	16 18 16	15 17 15	15 17 15	14 16 14	14 15 14	
8'	15 17 15	14 16 14	13 15 13	15 17 15	14 16 14	13 15 13	14 16 14	14 15 14	13 15 13	
9'	13 15 13	13 14 13	12 13 12	13 15 13	13 14 13	12 14 12	13 14 13	12 14 12	12 13 12	
10'	9 9 9	8 9 8	8 9 8	9 10 9	9 10 9	8 9 8	9 10 9	9 10 9	8 9 8	

IES File: FLC3W-RO-SW-1500L-RO-SW-1500L-35K-WWT-CD. Parameters: 80/50/20 reflectances, LLF=.09