

# ID+ 4.5" x 4.5" Trimless

LED WALL WASH



clear diffuse



warm diffuse



white



black

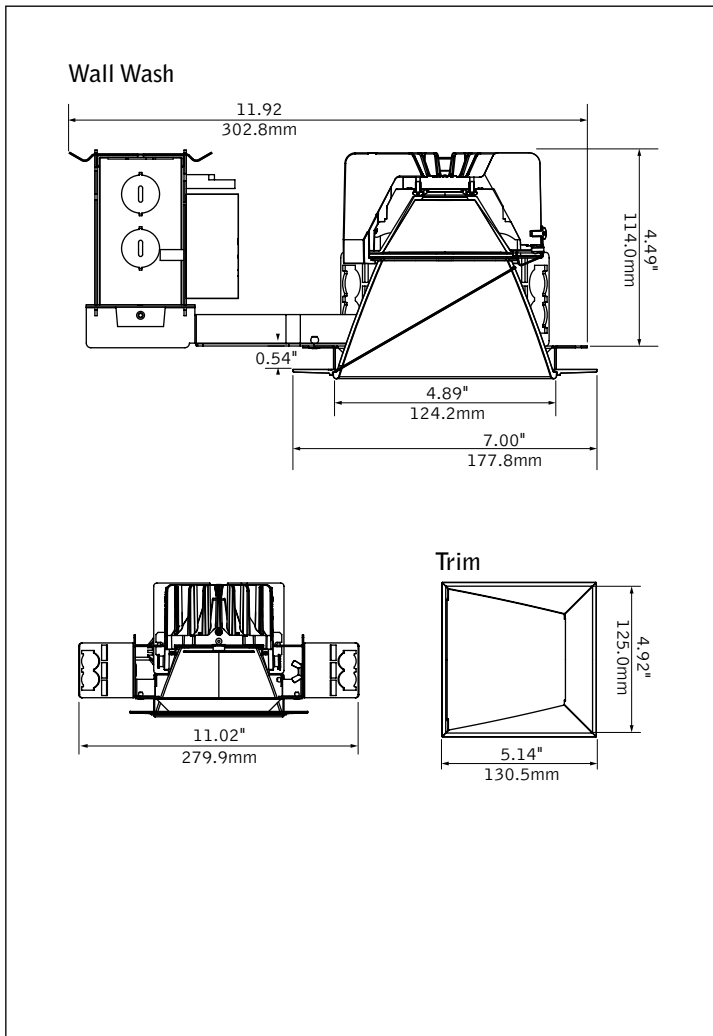


overlap companion



The Naturals collection - Grey Elm shown

## DIMENSIONAL DATA



## FEATURES

Field adjustability of ceiling thickness from 0.5" to 3.0"

50° cutoff to light source and its image.

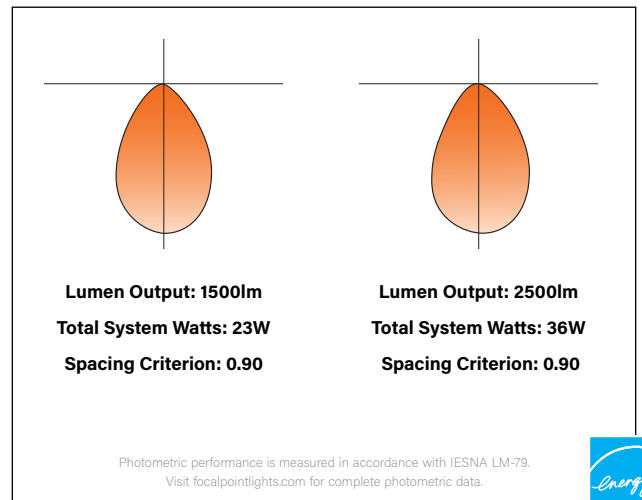
Right Light: Standard delivered lumen outputs 1000, 1500, 2000, and 2500.

Warm Dim: Lighting that enhances spaces with a warm glow, reminiscent of incandescent or halogen light sources.

PoE compatible: Integrates with Power over Ethernet lighting systems via standard, low-voltage wires.

Available with The Naturals, a series of finishes that exude biophilic beauty.

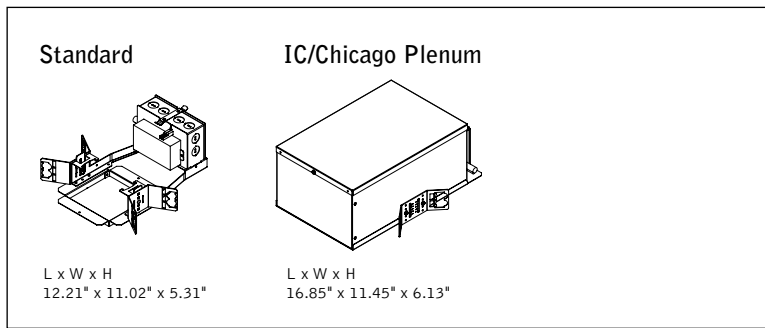
## PERFORMANCE



fixture:

project:

## HOUSING DETAILS



## HOUSING SPECIFICATIONS

### Construction

Thermally protected housing for new construction applications. Insulation to be kept 3" away from housing. Type IC inherently protected, suitable for direct contact with insulation. Butterfly brackets allow mounting to 1/2" emt. Order bar hangers as an accessory. Die-cast aluminum heat sink designed for maximum thermal dissipation. Die-formed housing and integral junction box with (7) 1/2" pry-outs. T-rated: UL & cUL Listed for (6) #14 AWG (3 in, 3 out) 90°C conductors and feed through-branch wiring. IC/CP housing: UL & cUL Listed for (8) #12 AWG (4 in, 4 out) 90°C conductors and feed through-branch wiring for IC/CP housing. Accommodates ceiling thicknesses up to 0.5" standard, field adjustable up to 3.0" thickness. For thicker ceiling consult factory. Order TZB option for TechZone compatible housing brackets. T-rated housing will not exceed 6lb, IC/CP housing will not exceed 12lb.

### Electrical

Choice of constant current dimming drivers. Power factor > .9 typical. PoE compatible: Integrates with Power over Ethernet lighting systems via standard, low-voltage wires.

### Labels

UL and cUL Listed. Suitable for Dry, Damp or Wet Locations, indoor use only. Specify Outdoor rated (OD) for outdoor recessed ceiling applications.

### Lumen Maintenance

Reported: L70 at >55,000 hours      Calculated: L70 at 204,000 hours  
 L90 at >55,000 hours                      L90 at 59,000 hours

Derived from EPA TM-21 calculator. Based on typical conditions, consult factory for additional data.

### Reliability

At Focal Point, our products are designed to stand the test of time. Each luminaire is engineered using superior components, manufactured with the utmost care and rigorously tested. Contact us for reliability data.

### Warranty

LED System rated for operation in ambient environments up to 25°C. 5-year limited warranty. Fixture with Outdoor rated option must be installed in a covered ceiling and is warranted for operation in ambient environments between -20°C to +40°C.

## TRIM & LED SPECIFICATIONS

### LED System

Proprietary array incorporates premium LEDs on a robust platform. May be specified in 2700K, 3000K, 3500K or 4000K, 80+ CRI or 90+ CRI. 3500K and 4000K with CRI>90 have a cyanosis observation index (COI) of 3.3 or less. Color accuracy within 2 SDCM. Aluminum heat sink provides appropriate thermal management.

### Aesthetics

Torsion springs pull single molded die-cast trim right to the ceiling with no visible fasteners within the trim. The Naturals: 100% low VOC vinyl.

### Optics

50-degree cut-off to light source and its image. Wall wash features acrylic diffuser to provide smooth illumination down the wall.

## PERFORMANCE CHART

Lumen Output	Delivered Lumens	System Watts	LPW
1000L	1006	15	67
1000L	1096	25	43
1500L	1504	23	67
1500L	1549	37	42
2000L	2000	31	65
2000L	1740	39	45
2500L	2411	36	67

Based on 3500K, 80 CRI. White. WDM base on 3000 - 1800K, 90 CRI. Lumen output may vary +/- 5%. Actual wattage may vary +/- 5%.

Focal Point LLC reserves the right to change specifications for product improvement without notification.

## HOUSING ORDERING

### Housing Series

ID+ 4.5" Square Wall Wash **FLC44W**

### Trim Type

Square Trimless **ST**

### Color Options

Standard White, 80 & 90 CRI **SW**

Warm Dim **WDM**

(1000 & 1500 lumens only for 3000-1800K.  
 1500 & 2000 lumens only for 2700-1800K.  
 UNV not available.)

### Lumen Output

1000 Lumens **1000L**

1500 Lumens **1500L**

2000 Lumens **2000L**

2500 Lumens **2500L**

(Not available with LFP)

### Voltage

UNV 120V/277V **UNV**

(IC housing only. Not available with LFP)

120V **120**

277V **277**

### Low Voltage

**LV**

(IC housing: 1500L max. T & TW housings not available.)

### Control System & Dimming Level

0-10V - 0% Dimming **LZ1**

0-10V - 1% Dimming **L11**

0-10V - 10% Dimming **LD1**

Low Voltage, PoE compatible **LVN**

(No driver. IC housing only. LV Voltage only)

Forward Phase **LFP**

(120V only)

Lutron Hi-Lume EcoSystem (LDE1) -

1% Dimming **LH1**

DALI - 0% Dimming **DZ1**

DALI - 1% Dimming **D11**

### Housing Type

IC Rated / Airtight **IC**

(L11, LD1, LVN, LH1 1500L max. LZ1, D11, DZ1, LFP, 1000L max.  
 LC44AT required for Airtight)

Thermally Protected, Non-IC **T**

Thermally Protected, Non-IC Wood **TW**

(Wood ceiling installation kit required)

### Factory Options

Bar Hangers **BH**

Chicago Plenum **CP**

Outdoor Rated **OD**

(LD1 driver only. IC housing 1000L max.  
 Consult factory for dimming range.)

## TRIM & LED MODULE

### Aperture

4.5" Square Reflector **LC44**

4.5" Square Reflector - Airtight **LC44AT**

(IC housing required for Airtight rating)

### Trim Type

Square Die-Cast Trimless **SDT**

(Trim & Housing output must match)

### Lumen Output

1000 Lumens **1000L**

1500 Lumens **1500L**

2000 Lumens **2000L**

2500 Lumens **2500L**

### Color Temperature

2700K, 80+ CRI or 90+ CRI **27K or 927K**

3000K, 80+ CRI or 90+ CRI **30K or 930K**

3500K, 80+ CRI or 90+ CRI **35K or 935K**

4000K, 80+ CRI or 90+ CRI **40K or 940K**

Warm Dim: 2700-1800K, 90+ CRI **92718W**

(1500 & 2000 lumens only)

Warm Dim: 3000-1800K, 90+ CRI **93018W**

(1000 & 1500 lumens only)

### Optic

Wall Wash **WW**

### Color

(See finishes page for The Naturals options)

Clear Diffuse **CD**

Warm Diffuse **WD**

Black **BK**

White **WH**

## ACCESSORIES

Wood Ceiling Installation Kit **LC44-WOOD-KIT**

(One kit recommended per 10 downlights)

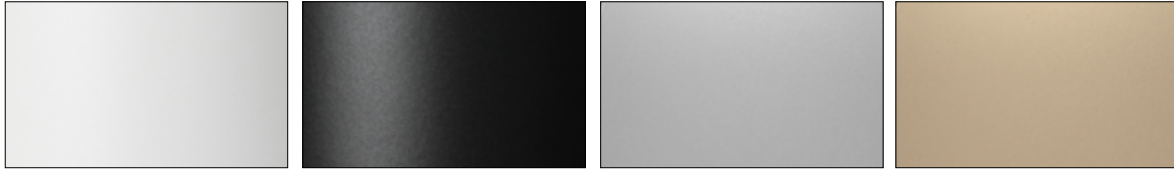


Options in orange qualify for the Quickship program. 10-day up to 100 pieces. Refer to Quickship Guide for complete details.

# Finishes



## STANDARD FINISHES



WHITE WH BLACK BK CLEAR DIFFUSE CD WARM DIFFUSE WD

## THE NATURALS (25% SCALE)



LIGHT OAK LOK GRAY ELM GRE CHESTNUT CHT WALNUT WLT WOVEN LINEN WLN