

ID+ 4.5" Trimless

LED WALL WASH



clear diffuse



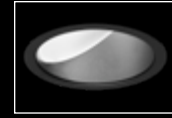
warm diffuse



white

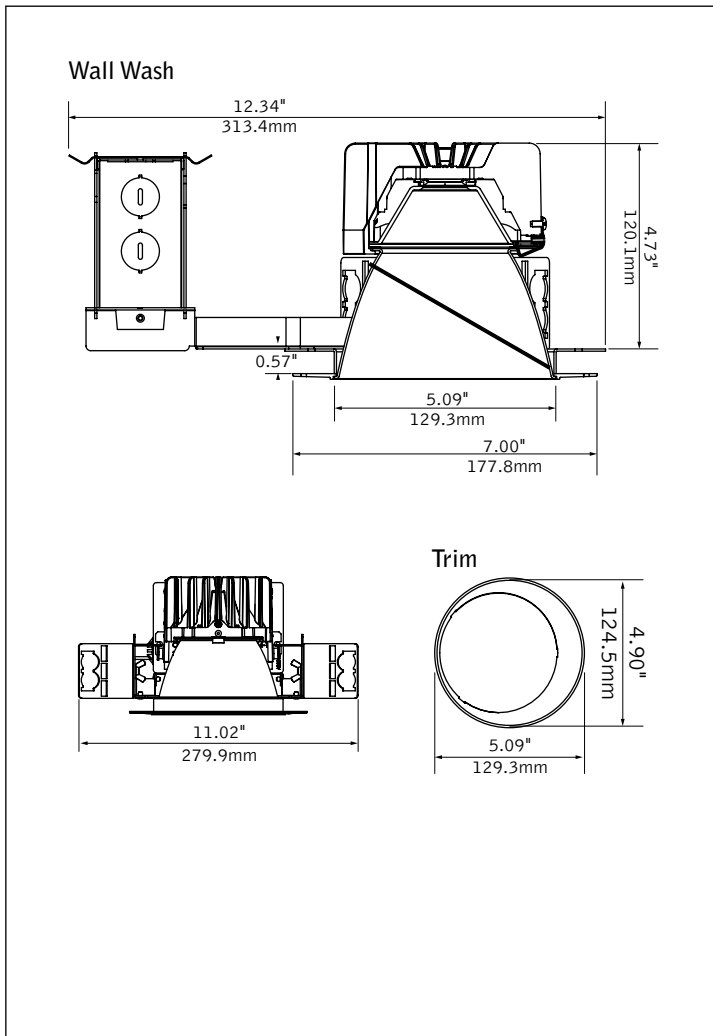


black



overlap companion

DIMENSIONAL DATA



FEATURES

Field adjustability of ceiling thickness from 0.5" to 3.0"

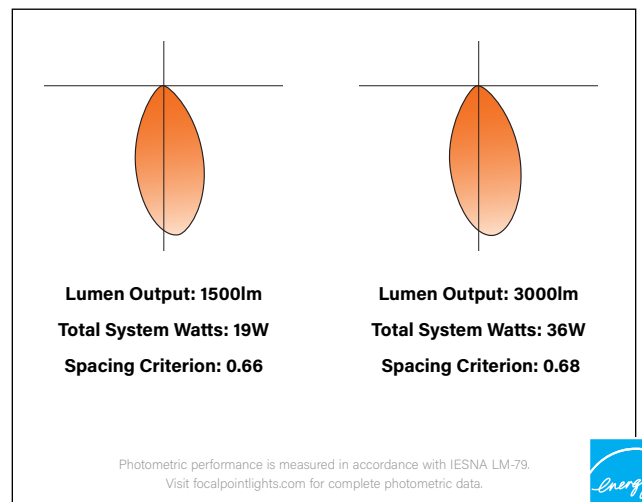
50° cutoff to light source and its image.

Right Light: Standard delivered lumen outputs 1000, 1500, 2000, 2500, and 3000.

Warm Dim: Lighting that enhances spaces with a warm glow, reminiscent of incandescent or halogen light sources.

PoE compatible: Integrates with Power over Ethernet lighting systems via standard, low-voltage wires.

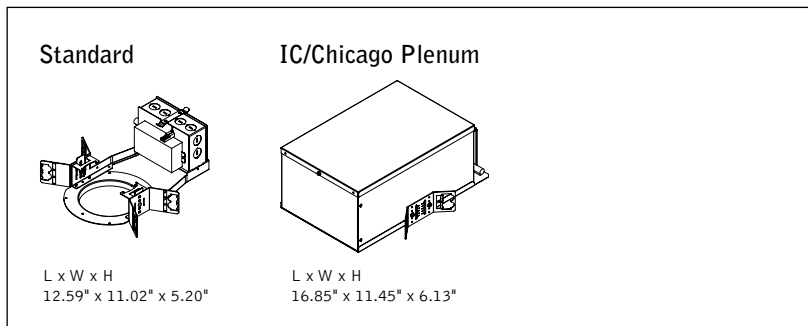
PERFORMANCE



fixture:

project:

HOUSING DETAILS



HOUSING SPECIFICATIONS

Construction

Thermally protected housing for new construction applications. Insulation to be kept 3" away from housing. Type IC inherently protected, suitable for direct contact with insulation. Butterfly brackets allow mounting to 1/2" emt. Order bar hangers as an accessory. Die-cast aluminum heat sink designed for maximum thermal dissipation. Die-formed housing and integral junction box with (7) 1/2" pry-outs. T-rated: UL & cUL Listed for (6) #14 AWG (3 in, 3 out) 90°C conductors and feed through-branch wiring. IC/CP housing: UL & cUL Listed for (8) #12 AWG (4 in, 4 out) 90°C conductors and feed through-branch wiring for IC/CP housing. Accommodates ceiling thicknesses up to 0.5" standard, field adjustable up to 3.0" thickness. For thicker ceiling consult factory. Order TZB option for TechZone compatible housing brackets. T-rated housing will not exceed 6lb, IC/CP housing will not exceed 12lb.

Electrical

Choice of constant current dimming drivers. Power factor > .9 typical. PoE compatible: Integrates with Power over Ethernet lighting systems via standard, low-voltage wires.

Labels

UL and cUL Listed. Suitable for Dry, Damp or Wet Locations, indoor use only. Specify Outdoor rated (OD) for outdoor recessed ceiling applications.

Lumen Maintenance

Reported: L70 at >55,000 hours Calculated: L70 at 204,000 hours
L90 at >55,000 hours L90 at 59,000 hours

Derived from EPA TM-21 calculator. Based on typical conditions, consult factory for additional data.

Reliability

At Focal Point, our products are designed to stand the test of time. Each luminaire is engineered using superior components, manufactured with the utmost care and rigorously tested. Contact us for reliability data.

Warranty

LED System rated for operation in ambient environments up to 25°C. 5-year limited warranty. Fixture with Outdoor rated option must be installed in a covered ceiling and is warranted for operation in ambient environments between -20°C to +40°C.

TRIM & LED SPECIFICATIONS

LED System

Proprietary array incorporates premium LEDs on a robust platform. May be specified in 2700K, 3000K, 3500K or 4000K, 80+ CRI or 90+ CRI. 3500K and 4000K with CRI>90 have a cyanosis observation index (COI) of 3.3 or less. Color accuracy within 2 SDCM. Aluminum heat sink provides appropriate thermal management.

Aesthetics

Parabolic reflector cone ensures glare free optics. Reflector is .050" spun aluminum. Torsion springs pull trim tight to the ceiling with no visible fasteners.

Optics

50-degree cut-off to light source and its image. Wall wash features acrylic diffuser to provide smooth illumination down the wall.

PERFORMANCE CHART

| Lumen Output | Delivered Lumens | System Watts | LPW |
|--------------|------------------|--------------|-----|
| 1000L | 978 | 11 | 86 |
| 1500L | 1471 | 19 | 77 |
| 1500L | 1360 | 25 | 54 |
| 2000L | 1954 | 26 | 76 |
| 2000L | 1914 | 37 | 52 |
| 2500L | 2384 | 32 | 74 |
| 3000L | 2860 | 36 | 79 |

Based on 3500K, 80 CRI. White. WDM base on 3000 - 1800K, 90 CRI. Lumen output may vary +/- 5%. Actual wattage may vary +/- 5%.

HOUSING ORDERING

Housing Series

ID+ 4.5" Round Wall Wash FLC4W

Trim Type

Round Trimless RT

Color Options

Standard White, 80 & 90 CRI SW

Warm Dim WDM

(1500 & 2000 lumens only. UNV not available.)

Lumen Output

1000 Lumens 1000L

1500 Lumens 1500L

2000 Lumens 2000L

2500 Lumens 2500L

3000 Lumens 3000L

(Not available with LFP)

Voltage

UNV 120V/277V UNV

(IC housing only. Not available with LFP)

120V 120

277V 277

Low Voltage

(IC housing: 2000L max. T & TW housings: 1000L only)

Control System & Dimming Level

0-10V - 0% Dimming LZ1

0-10V - 1% Dimming L11

0-10V - 10% Dimming LD1

Low Voltage, PoE compatible LVN

(No driver. LV Voltage only)

Forward Phase LFP

(120V only)

Lutron Hi-Lume EcoSystem (LDE1) -

1% Dimming LH1

DALI - 0% Dimming DZ1

DALI - 1% Dimming D11

Housing Type

IC Rated / Airtight IC

(L11, LD1, LVN, LH1 2000L max. LZ1, D11, DZ1, LFP 1500L max. LC4AT required for Airtight.)

Thermally Protected, Non-IC T

Thermally Protected, Non-IC Wood TW

(Wood ceiling installation kit required)

Factory Options

Bar Hangers BH

Chicago Plenum CP

Outdoor Rated OD

(LD1 driver only. IC housing 1500L max. Consult factory for dimming range.)

TRIM & LED MODULE

Aperture

4.5" Round Reflector LC4

4.5" Round Reflector - Airtight LC4AT

(IC housing required for Airtight rating)

Trim Type

Round Trimless RT

Lumen Output

(Trim & Housing output must match)

1000 Lumens 1000L

1500 Lumens 1500L

2000 Lumens 2000L

2500 Lumens 2500L

3000 Lumens 3000L

Color Temperature

2700K, 80+ CRI or 90+ CRI 27K or 927K

3000K, 80+ CRI or 90+ CRI 30K or 930K

3500K, 80+ CRI or 90+ CRI 35K or 935K

4000K, 80+ CRI or 90+ CRI 40K or 940K

Warm Dim: 2700-1800K, 90+ CRI 92718W

(1500 & 2000 lumens only)

Warm Dim: 3000-1800K, 90+ CRI 93018W

(1500 & 2000 lumens only)

Optic

Wall Wash WW

Color

Clear Diffuse CD

Warm Diffuse WD

Black BK

White WH

ACCESSORIES

Wood Ceiling Installation Kit LC4-WOOD-KIT

(One kit recommended per 10 downlights)



Options in orange qualify for the Quickship program. 10-day up to 100 pieces. Refer to Quickship Guide for complete details.