

# ID+ 6" x 6"

LED DOWNLIGHT



FOCAL POINT®



white flange



black flange



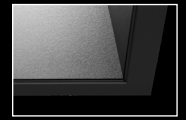
titanium silver  
flange



clear diffuse

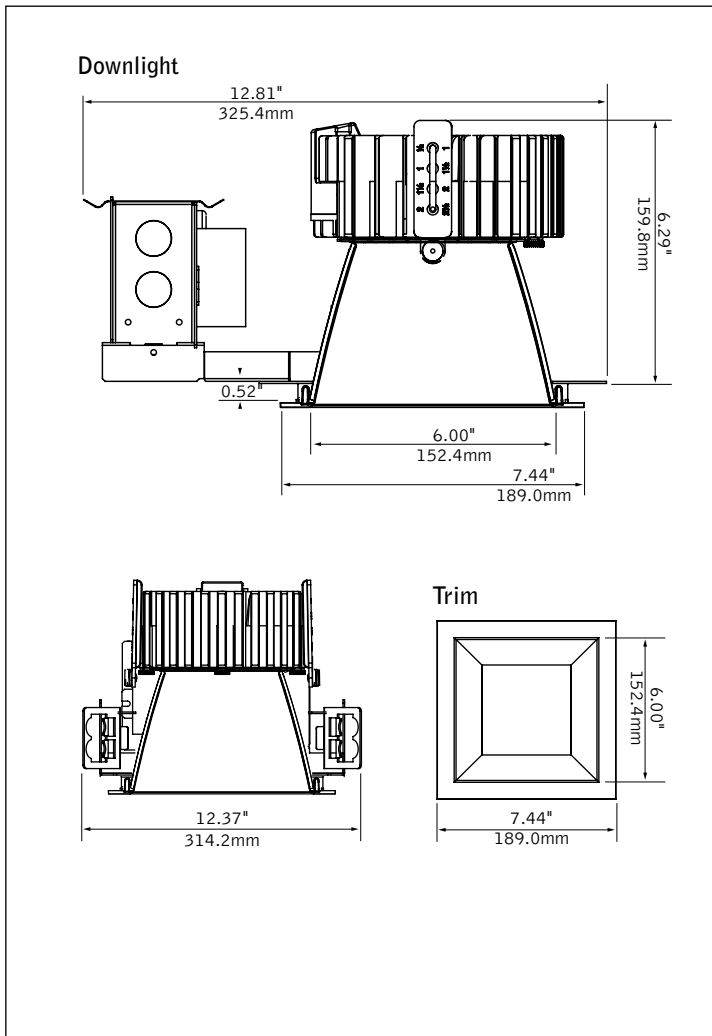


white reflector



black reflector

## DIMENSIONAL DATA



## FEATURES

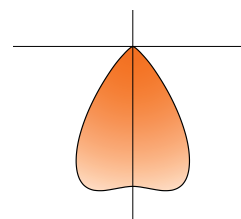
Field adjustability of ceiling thickness from 0.5" - 2.5".

50° cutoff to light source and its image.

Right Light: Standard delivered lumen outputs 1000, 1500, 2000, 2500 and 3000.

PoE compatible: Integrates with Power over Ethernet lighting systems via standard, low-voltage wires.

## PERFORMANCE



Clear Diffuse Reflector  
3500k, 2000 Lumens

**Delivered Lumens: 2000lm**

**Total System Watts: 24W**

### PRODUCT OVERVIEW

Lumen Output: 1000-3000lm

Wattage: 12-41W

LPW: 73-84

Spacing Criterion: 1.14-1.16

SDCM: 2

Lumen Maintenance: L70 @

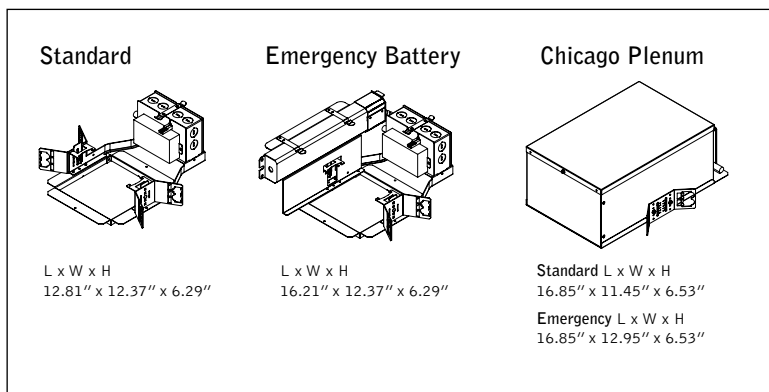
63,000hrs

Photometric performance is measured in accordance with IESNA LM-79.  
Visit [focalpointlights.com](http://focalpointlights.com) for complete photometric data. Visit [energystar.gov](http://energystar.gov) for model specifics.

fixture:

project:

**HOUSING DETAILS**



**HOUSING SPECIFICATIONS**

**Construction**

Thermally protected housing for new construction applications. Insulation to be kept 3" away from housing. Butterfly brackets allow mounting to 1/2" emt. Order bar hangers as an accessory. Die-cast aluminum heat sink designed for maximum thermal dissipation. Die-formed housing and integral junction box with (7) 1/2" pry outs. UL & cUL listed for (6) #14 AWG (3 in, 3 out) 90°C conductors and feed through-branch wiring. Accommodates ceiling thicknesses up to 0.5" standard, field adjustable up to 2.5" thickness. For thicker ceiling consult factory. Fixture will not exceed 5 lb.

**Electrical**

Choice of constant current dimming drivers. Power factor > .9 typical. PoE compatible: Integrates with Power over Ethernet lighting systems via standard, low-voltage wires.

**Emergency**

Emergency Battery Pack: Bodine BSL17C-C2. Emergency output —7W for 90 minutes. Maximum mounting height: 23.3ft. (Black reflector color: 18.1ft.)

**Labels**

UL and cUL Listed. Suitable for Dry or Damp Locations, indoor use only. Specify wet listed (WL) for recessed applications in indoor and outdoor locations. Lutron Drivers not recommended for outdoor environments below 0°C.

**Lumen Maintenance**

Reported: L70 at >63,000 hours. Derived from EPA TM-21 calculator

**Reliability**

At Focal Point, our products are designed to stand the test of time. Each luminaire is engineered using superior components, manufactured with the utmost care and rigorously tested. Contact us for reliability data.

**Warranty**

LED System rated for operation in ambient environments up to 25°C. 5-year limited warranty.

**TRIM & LED SPECIFICATIONS**

**LED System**

Proprietary array incorporates premium LEDs on a robust platform. May be specified in 2700K, 3000K, 3500K or 4000K, 80+ CRI or 90+ CRI. Color accuracy within 2 SDCM. Aluminum heat sink provides appropriate thermal management.

**Aesthetics**

Die-formed aluminum reflector ensures glare free optics. Reflector attaches to die-cast, seamless flange and may be removed for field painting. Torsion springs pull trim tight to the ceiling with no visible fasteners within the trim.

**Optics**

50-degree cut-off to light source and its image.

**PERFORMANCE CHART**

Delivered Lumens	System Watts	LPW
1000	12	82
1500	19	80
2000	24	84
2500	34	74
3000	41	73

Based on 3000/3500K, 80 CRI Clear Diffuse reflector cone. 90 CRI lumen multiplier: 2700K = 0.71, 3000/3500K = 0.83, 4000K = 0.89. Black multiplier: 0.56. White multiplier: 1.13. Lumen output may vary +/- 5%. Actual wattage may vary +/- 5%.

**HOUSING ORDERING**

<b>Housing Series</b>	<b>FLC66D</b>
ID+ 6" Square Downlight	FLC66D
<b>Trim Type</b>	
Square Flush	SF
Square Overlap	SO
<b>Lumen Output</b>	
1000 Lumens	1000L
1500 Lumens	1500L
2000 Lumens	2000L
2500 Lumens	2500L
3000 Lumens	3000L
<b>Voltage</b>	
120V	120
277V*	277
Low Voltage	LV
<b>Control System &amp; Dimming Level</b>	
0-10V - 1% Dimming	L11
0-10V - 10% Dimming	LD1
Low Voltage, PoE compatible	LVN
<small>(No driver. 2000 Lumen max with CP option, 1000 Lumen max non-CP. Not available with EM. LV Voltage only.)</small>	
<b>Lutron Hi-Lume EcoSystem (LDE1) -</b>	
1% Dimming	LH1
DALI - 1% Dimming	D11
DMX - 3-Channel, 0% Dimming	MZ3
<b>Housing Type</b>	<b>T</b>
Thermally Protected, Non-IC	T
<b>Factory Options</b>	
Bar Hangers	BH
Chicago Plenum / National Plenum	CP
Emergency Battery	EM
<small>(Must order LC66EM trim)</small>	
<b>TRIM &amp; LED MODULE</b>	
<b>Aperture</b>	
6" Square Reflector	LC66
6" Square Reflector - Emergency	LC66EM
<small>(Required for "EM" option)</small>	
<b>Trim Type</b>	<b>SQ</b>
Square	SQ
<b>Lumen Output</b>	
<small>(Trim &amp; Housing output must match)</small>	
1000 Lumens	1000L
1500 Lumens	1500L
2000 Lumens	2000L
2500 Lumens	2500L
3000 Lumens	3000L
<b>Color Temperature</b>	
2700K, 80+ CRI or 90+ CRI	27K or 927K
3000K, 80+ CRI or 90+ CRI	30K or 930K
3500K, 80+ CRI or 90+ CRI	35K or 935K
4000K, 80+ CRI or 90+ CRI	40K or 940K
<b>Optic</b>	<b>DN</b>
Downlight	DN
<b>Color</b>	
Clear Diffuse	CD
Black	BK
White	WH
<b>Flange Finish</b>	
Black	BK
White	WH
Titanium Silver	TS
Aluminum Raw	AL
<b>Factory Options</b>	
Wet Listed	WL
<small>(Not available with 90CRI)</small>	

A complete unit consists of two line items, housing and trim  
Example: FLC66D-SO-1500L-120-LD1-T | LC66-SQ-1500L-35K-DN-CD-WH

\*1500 and 2000 lumen outputs add 2 watts to system wattage.