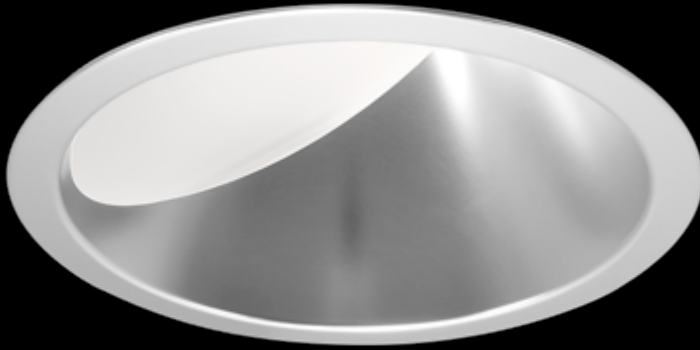


ID+ 6"

LED WALL WASH



clear diffuse



white reflector

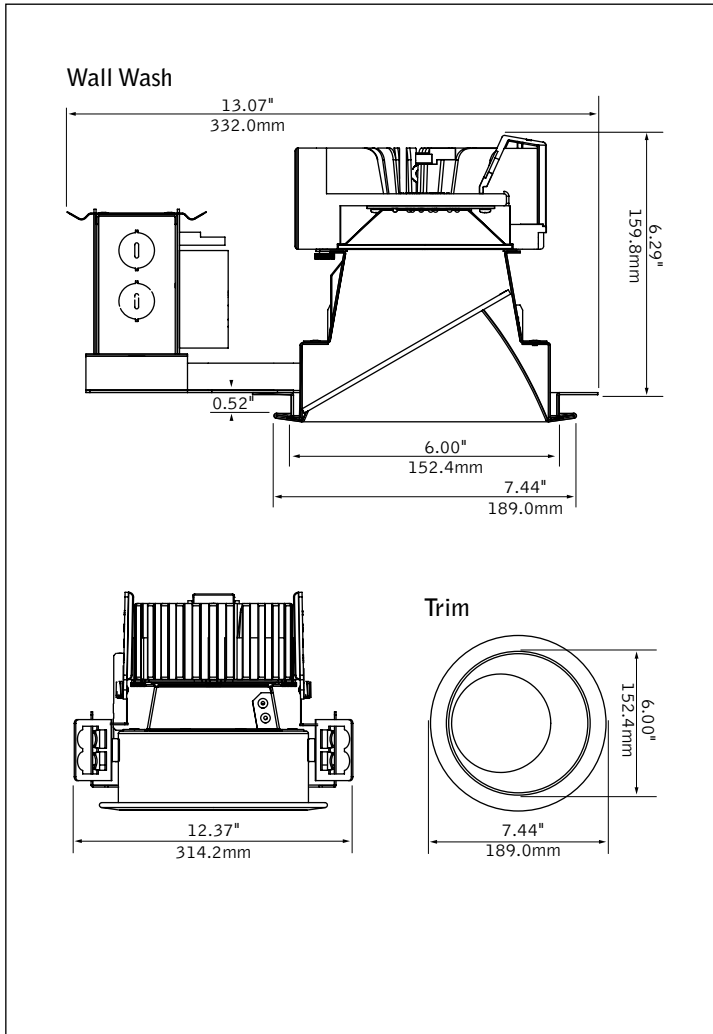


black reflector



white painted flange

DIMENSIONAL DATA



FEATURES

Field adjustability of ceiling thickness from 0.5" - 2.5".

50° cutoff to light source and its image.

Right Light: Standard delivered lumen outputs 500, 1000 and 1500.

PoE compatible: Integrates with Power over Ethernet lighting systems via standard, low-voltage wires.

PERFORMANCE

PRODUCT OVERVIEW

- Lumen Output: 500-1500lm
- Wattage: 10-32W
- LPW: 46-53
- Spacing Criterion: 1.03
- SDCM: 2
- Lumen Maintenance: L70 @ 63,000hrs

Clear Diffuse Reflector
3500k, 1500 Lumens

Delivered Lumens: 1500lm

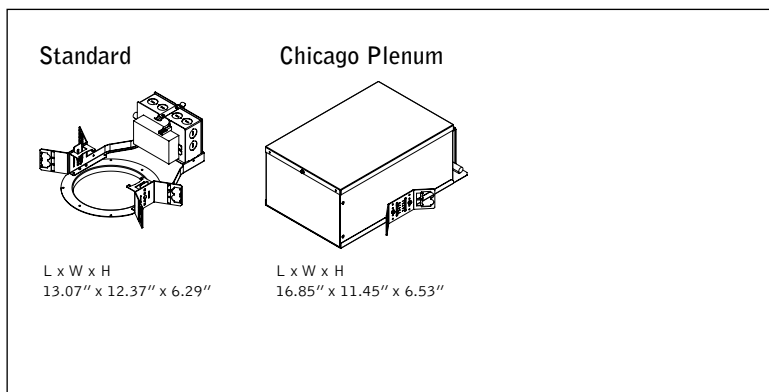
Total System Watts: 32W

Photometric performance is measured in accordance with IESNA LM-79. Visit focalpointlights.com for complete photometric data.

fixture:

project:

HOUSING DETAILS



HOUSING SPECIFICATIONS

Construction

Thermally protected housing for new construction applications. Insulation to be kept 3" away from housing. Butterfly brackets allow mounting to 1/2" emt. Order bar hangers as an accessory. Die-cast aluminum heat sink designed for maximum thermal dissipation. Die-formed housing and integral junction box with (7) 1/2" pry outs. UL & cUL listed for (6) #14 AWG (3 in, 3 out) 90°C conductors and feed through-branch wiring. Accommodates ceiling thicknesses up to 0.5" standard, field adjustable up to 2.5" thickness. For thicker ceiling consult factory. Fixture will not exceed 5 lb.

Electrical

Choice of constant current dimming drivers. Power factor > .9 typical. PoE compatible: Integrates with Power over Ethernet lighting systems via standard, low-voltage wires.

Labels

UL and cUL Listed. Suitable for Dry or Damp Locations, indoor use only. Specify wet listed (WL) for recessed ceiling applications in indoor and outdoor locations. Lutron Drivers not recommended for outdoor environments below 0°C.

Lumen Maintenance

Reported: L70 at >63,000 hours. Derived from EPA TM-21 calculator

Reliability

At Focal Point, our products are designed to stand the test of time. Each luminaire is engineered using superior components, manufactured with the utmost care and rigorously tested. Contact us for reliability data.

Warranty

LED System rated for operation in ambient environments up to 25°C. 5-year limited warranty.

TRIM & LED SPECIFICATIONS

LED System

Proprietary array incorporates premium LEDs on a robust platform. May be specified in 2700K, 3000K, 3500K or 4000K, 80+ CRI or 90+ CRI. Color accuracy within 2 SDCM. Aluminum heat sink provides appropriate thermal management.

Aesthetics

Parabolic reflector cone ensures glare free optics. Reflector is .050 spun aluminum. Torsion springs pull trim tight to the ceiling with no visible fasteners within the trim. Trims are self-flanged. Non-painted trim matches reflector finish. White painted flange may also be specified.

Optics

50-degree cut-off to light source and its image. Wall wash features acrylic diffuser to provide smooth illumination down the wall.

PERFORMANCE CHART

Delivered Lumens	System Watts	LPW
500	10	50
1000	19	53
1500	32	46

Based on 3000/3500K, 80 CRI. Clear Diffuse reflector cone. 90 CRI lumen multiplier: 2700K = 0.71, 3000/3500K = 0.83, 4000K = 0.89. Black multiplier: 0.56. White multiplier: 1.13. Lumen output may vary +/- 5%. Actual wattage may vary +/- 5%.

HOUSING ORDERING

Housing Series	FLC6W
ID+ 6" Round Wall Wash	FLC6W
Trim Type	
Round Flush	RF
Round Overlap	RO
Lumen Output	
500 Lumens	500L
1000 Lumens	1000L
1500 Lumens	1500L
Voltage	
120V	120
277V*	277
Low Voltage	LV
Control System & Dimming Level	
0-10V - 1% Dimming	L11
0-10V - 10% Dimming	LD1
Low Voltage, PoE compatible <small>(No driver. 1000 Lumen max. CP only. LV Voltage only.)</small>	LVN
Lutron Hi-Lume EcoSystem (LDE1) - 1% Dimming <small>(Not available with 500L)</small>	LH1
DALI - 1% Dimming <small>(Not available with 500L)</small>	D11
DMX - 3-Channel, 0% Dimming	MZ3
Housing Type	T
Thermally Protected, Non-IC	T
Factory Options	
Bar Hangers	BH
Chicago Plenum / National Plenum	CP
TRIM & LED MODULE	
Aperture	LC6
6" Round Reflector	LC6
Trim Type	RD
Round	RD
Lumen Output <small>(Trim & Housing output must match)</small>	
500 Lumens	500L
1000 Lumens	1000L
1500 Lumens	1500L
Color Temperature	
2700K, 80+ CRI or 90+ CRI	27K or 927K
3000K, 80+ CRI or 90+ CRI	30K or 930K
3500K, 80+ CRI or 90+ CRI	35K or 935K
4000K, 80+ CRI or 90+ CRI	40K or 940K
Optic	WW
Wall Wash	WW
Color	
Clear Diffuse	CD
Black <small>(Black Painted flange only)</small>	BK
White <small>(White Painted flange only)</small>	WH
Flange Finish	
Non-Painted, matches reflector <small>(Clear diffuse only)</small>	NP
Black Painted	BP
White Painted	WP
Factory Options	
Wet Listed	WL
<small>(Not available with 90CRI)</small>	

A complete unit consists of two line items, housing and trim
Example: FLC6W-RO-1500L-120-LD1-T | LC6-RD-1500L-35K-WW-CD-NP

*1500 and 2000 lumen outputs add 2 watts to system wattage.