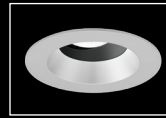
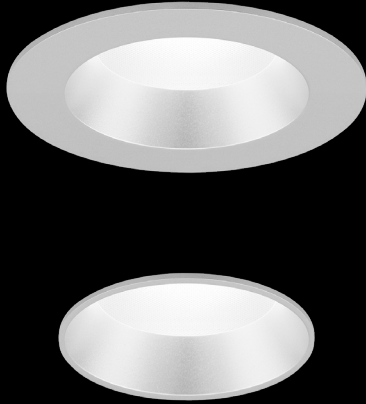
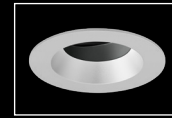


ID+ 2.5"

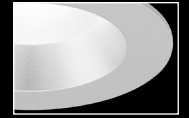
LED ADJUSTABLE DOWNLIGHT



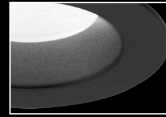
0°-15° Tilt Spot Detail



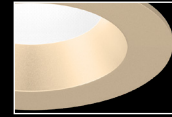
15°-35° Tilt Spot Detail



Clear Diffuse



Black



Warm Diffuse



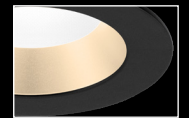
White



Clear Diffuse & White Flange

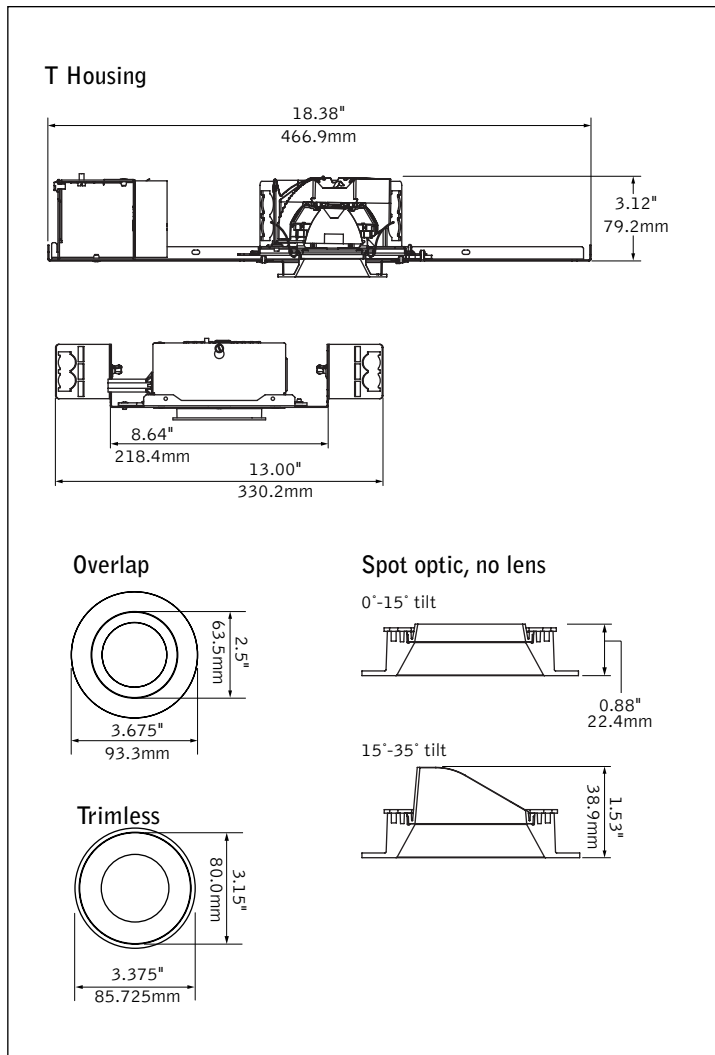


Warm Diffuse & White Flange



Warm Diffuse & Black Flange

DIMENSIONAL DATA



FEATURES

19° beam is ideal for art and object accenting, additional beamreads up to 75° complement any application.

Allows for aiming with locking 35° vertical tilt and 362° rotation of light module.

Overlap and trimless options.

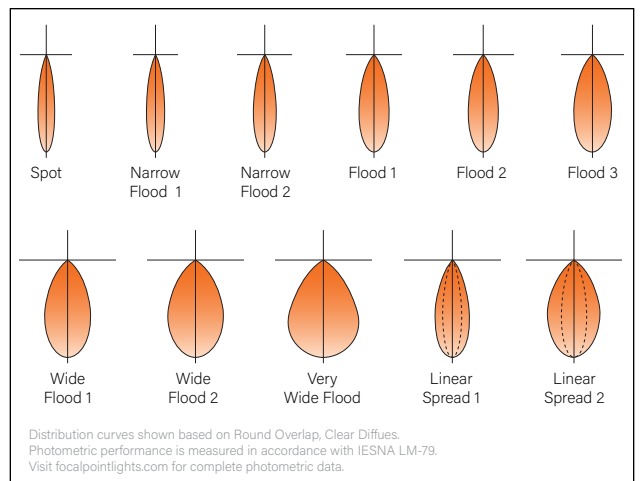
Warm Dim: Lighting that enhances spaces with a warm glow, reminiscent of incandescent or halogen light sources.

PoE compatible: Integrates with Power over Ethernet lighting systems via standard, low-voltage wires.

Outdoor rating permits use in outdoor covered ceiling applications.

Configurations available for Title 24 JA8 High Efficacy Lighting compliance.

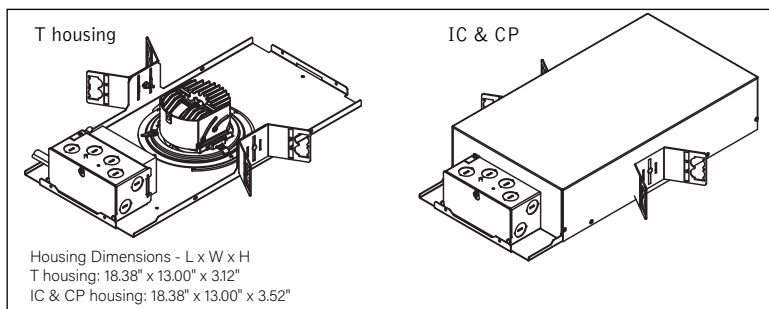
DISTRIBUTIONS



fixture:

project:

HOUSING DETAILS



HOUSING SPECIFICATIONS

LED System

Proprietary LED module with single light emitting source. May be specified in 2700K, 3000K, 3500K or 4000K in CRI>80, CRI>90, or CRI>97. Color accuracy within 2 SDCM. Warm Dim within 3-5 SDCM. Aluminum heat sink provides appropriate thermal management.

Construction

T housing for new construction applications. Insulation to be kept 3" away from housing. Type IC inherently protected, suitable for direct contact with insulation. Butterfly brackets allow mounting to 1/2" emt. Order bar hangers as an accessory. Cast aluminum heat sink designed for maximum thermal dissipation. Die-formed housing and integral junction box with (7) 1/2" pry outs. UL & cUL listed for (8) #12 AWG (4 in, 4 out) 90°C conductors and feed through-branch wiring. Accommodates ceiling thicknesses from 0.5"-1.5" standard. For thicker ceiling consult factory. Fixture will not exceed 6lbs.

Adjustment

Manual locking 35° vertical tilt and 362° rotation of light module.

Electrical

Choice of constant current dimming drivers. Power factor > .9 typical. PoE compatible: Integrates with Power over Ethernet lighting systems via standard, low-voltage wires.

Emergency Battery

Emergency output—7W for 90 minutes. Maximum mounting height: Clear Diffuse & White: 17.71ft. Black & Warm Diffuse: 17.15ft. Above ceiling access only.

Labels

UL and cUL listed. Suitable for Dry, Damp or Wet Locations indoor use only. Wet Location Solite lens options only. Specify Outdoor rated (OD) for outdoor recessed ceiling applications.

Lumen Maintenance

Reported: L70 at >55,000 hours Calculated: L70 at 204,000 hours
 Reported: L90 at >55,000 hours Calculated: L90 at 59,000 hours
 Derived from EPA TM-21 calculator. Based on typical conditions, consult factory for additional data.

Reliability

At Focal Point, our products are designed to stand the test of time. Each luminaire is engineered using superior components, manufactured with the utmost care and rigorously tested. Contact us for reliability data.

Warranty

LED System rated for operation in ambient environments up to 25°C. 5-year limited warranty. Fixture with Outdoor rated option must be installed in a covered ceiling and is warranted for operation in ambient environments between -40°C to +25°C.

TRIM SPECIFICATIONS

Aesthetics

Parabolic reflector cone ensures glare free optics. Reflector is die-cast aluminum. Torsion springs pull trim tight to the ceiling with no visible fasteners within the trim. Trim is inherently air tight with Solite lens. Trims are self-flanged. Non-painted trim matches reflector finish. White or Black painted flange may also be specified. Spot distribution offered with No lens option for a crisp punch of light. No lens options feature a shroud to conceal internal components and maintain a premium aesthetic while providing a narrow spot distribution.

Optics

TRIM TYPE	Distribution Beam Spread										
	Spacing Criteria										
	SP	NFL1	NFL2	FL1	FL2	FL3	WFL1	WFL2	VWFL	LS1	LS2
RO	19°	21°	27°	31°	35°	45°	54°	64°	75°	22° x 40°	30° x 62°
	0.34	0.36	0.46	0.52	0.58	0.70	0.82	0.94	1.12	0.38 x 0.66	0.50 x 0.90
RT	18°	21°	26°	31°	36°	45°	54°	68°	82°	24° x 32°	28° x 68°
	0.32	0.36	0.44	0.52	0.58	0.72	0.82	0.96	1.16	0.42 x 0.52	0.48 x 0.92

PERFORMANCE CHART

See Page 4

HOUSING ORDERING

Housing Series	ID+ 2.5" Round Housing	FLCS2
Trim Type	Round Overlap	RO
	Round Trimless	RT
Lumen Output	500 Lumens (L11, LD1 & LVN only)	500L
	700 Lumens (Not available with LFP or LH1)	700L
	900 Lumens (Not available with LFP or LH1)	900L
	1100 Lumens	1100L
	1300 Lumens	1300L
	1500 Lumens	1500L
(Not available with LFP or LH1 with IC housing or CP option.)		
Color Temperature	(Add 9 for 90 CRI or H for 97 CRI. Leave blank for 80 CRI.)	
	2700K, 80/90/97+ CRI	_27K
	3000K, 80/90/97+ CRI	_30K
	3500K, 80/90/97+ CRI	_35K
	4000K, 80/90/97+ CRI	_40K
	Warm Dim: 2700-1800K, 90+ CRI*	92718W
	Warm Dim: 3000-1800K, 90+ CRI*	93018W
*(700L Only. EMR not available. UNV & LV not available.)		
Distribution	Spot	SP
	Narrow Flood 1	NFL1
	Narrow Flood 2	NFL2
	Flood 1	FL1
	Flood 2	FL2
	Flood 3	FL3
	Wide Flood 1	WFL 1
	Wide Flood 2	WFL 2
	Very Wide Flood	VWFL
	Linear Spread Lens 1	LS1
	Linear Spread Lens 2	LS2
Voltage	UNV 120/277 Volt**	UNV
	120 Volt	120
	277 Volt	277
Low Voltage**	LV	
**(T & TW housings: 900L max.)		
Driver	0-10V - 0% Dimming	LZ1
	0-10V - 1% Dimming	L11
	0-10V - 10% Dimming	LD1
	Forward Phase (120V only)	LFP
Low Voltage, PoE Compatible	(No driver, LV Voltage only. Not available with EM.)	LVN
Housing Type	IC rated	IC
(Not available with LFP or LH1 with 1500L.)		
	Non-IC	T
	Non-IC Wood	TW
(RT only, requires Trimless Wood Kit.)		
Factory Options	Bar Hangers	BH
	Chicago Plenum	CP
Emergency Battery with Remote Test Switch	(T housing only. Not available with Warm Dim. Above ceiling access only.)	EMR
Outdoor Rated	(LD1 driver with T housing only. Solite lens optic only. Not available with CP or EMR. See dimming performance table.)	OD
Title 24 / JA8 Compliant	(Consult JA8 Reference Guide for available options.)	JA8

TRIM ORDERING

Aperture	2.5" Round Aperture	LCS2
Trim Type	Round Die-Cast Overlap	RDO
	Round Die-Cast Trimless	RDT
Lumen Output		
Color Temperature		
Distribution		
Optic	Solite Lens	SL
(Not available with Spot distribution)		
	Spot Optic, no lens, 0°-15° tilt (Spot distribution only)	SP00
	Spot Optic, no lens, 15°-35° tilt (Spot distribution only)	SP35
Color	Clear Diffuse	CD
	Warm Diffuse	WD
	Black	BK
	White	WH
Optional Flange Finish	(Overlap CD & WD finish only.) (For matching finishes leave blank.)	
	Black Painted	BK
	White Painted	WH
Factory Options	Title 24 / JA8 Compliant (Trim & housing must match.)	JA8

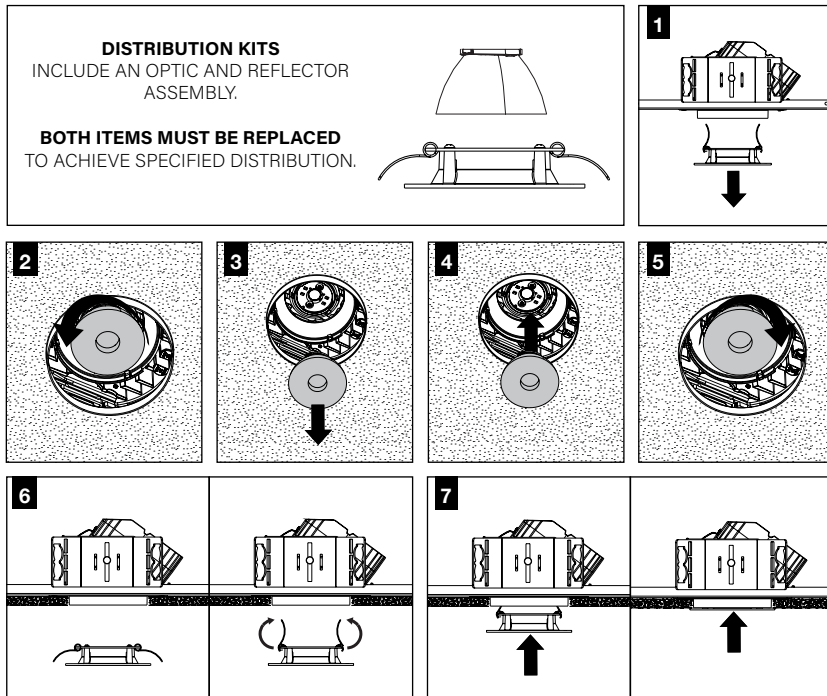
Trim & housing must match. See options above.

ACCESSORIES ORDERING

See Page 3

fixture:

project:



ACCESSORIES ORDERING

DISTRIBUTION KITS

Aperture		
2.5" Round Aperture	KIT-LCS2	_____
Trim Type		
Round Die-Cast Overlap	RDO	_____
Round Die-Cast Trimless	RDT	_____
Distribution		
Spot	SP	_____
Narrow Flood 1	NFL1	_____
Narrow Flood 2	NFL2	_____
Flood 1	FL1	_____
Flood 2	FL2	_____
Flood 3	FL3	_____
Wide Flood 1	WFL 1	_____
Wide Flood 2	WFL 2	_____
Very Wide Flood	VWFL	_____
Linear Spread Lens 1	LS1	_____
Linear Spread Lens 2	LS2	_____
Optic		
Solite Lens	SL	_____
<small>(Not available with Spot distribution)</small>		
Spot Optic, no lens, 0°-15° tilt		
<small>(Spot distribution only)</small>	SP00	_____
Spot Optic, no lens, 15°-35° tilt		
<small>(Spot distribution only)</small>	SP35	_____
Color		
Clear Diffuse	CD	_____
Warm Diffuse	WD	_____
Black	BK	_____
White	WH	_____
Optional Flange Finish		
<small>(Overlap CD & WD finish only)</small>		
<small>(For matching finishes leave blank.)</small>		
Black Painted	BK	_____
White Painted	WH	_____
Factory Options		
Title 24 / JA8 Compliant		
<small>(Trim & housing must match.)</small>	JA8	_____


SPOT OPTIC TILT KITS

Housing Series		
ID+ 2.5" Round Housing	KIT-FLCS2	_____
Optic		
0°-15° tilt	SP00	_____
15°-35° tilt	SP35	_____
Both 0°-15° tilt and 15°-35° tilt	SPB	_____

WOOD KITS

Trimless Wood Kit	FLCS2-	_____
<small>(One kit suggested per 10 units)</small>	WOOD-KIT	_____

2.5" ROUND ADJUSTABLE DOWNLIGHT PERFORMANCE TABLE

Lumen Output	Delivered Lumens	System Watts	LPW
500L	500	6.4	79
700L	700	8.6	81
 700L	668	16.6	40
900L	900	10.3	87
1100L	1100	14.7	75
1300L	1300	17.3	75
1500L	1492	20.1	74

Based on SL optic, 3500K, 80CRI, Narrow Flood, Clear Diffuse. Warm Dim based on 3000 - 1800K, 90 CRI. Overlap and trimless offer identical performance. Delivered lumen output may vary +/- 5%. Actual wattage may vary +/- 5%.

2.5" ROUND ADJUSTABLE DOWNLIGHT CBCP CHART

Lumen Output	Distribution	Beamspread	Center Beam Candlepower (CBCP)
1500L	SP	19°	10687
	NFL1	21°	7686
	NFL2	27°	5277
	FL1	31°	3994
	FL2	35°	3288
	FL3	45°	2138
	WFL1	54°	1581
	WFL2	64°	1167
	VWFL	75°	898
	LS1	22° x 40°	4146
	LS2	30° x 62°	2000


Based on Round Overlap trim (RO).

OUTDOOR RATED (OD) DRIVER DIMMING PERFORMANCE TABLE

Lumen Output	Minimum Dimming Level
500L	26%
700L	18%
900L	15%
1100L	11%
1300L	10%
1500L	10%

2.5" ROUND DOWNLIGHT LUMEN MULTIPLIER TABLE

Color Temperature & CRI¹

Color Options	Lumen Output	Color Temperature & CRI	Multiplier
Standard White	All Outputs	2700K, 80+ CRI [27K]	0.92
		2700K, 90+ CRI [927K]	0.79
		2700K, 97+ CRI [9727K]	0.67
		3000K, 80+ CRI [30K]	0.98
		3000K, 90+ CRI [930K]	0.83
		3000K, 97+ CRI [9730K]	0.72
		3500K, 80+ CRI [35K]	1.00
		3500K, 90+ CRI [935K]	0.82
		3500K, 97+ CRI [9735K]	0.73
		4000K, 80+ CRI [40K]	1.01
		4000K, 90+ CRI [940K]	0.84
		4000K, 97+ CRI [9740K]	0.76
 Warm Dim	700L	2700-1800K, 90+ CRI [92718W]	0.93
		3000-1800K, 90+ CRI [93018W]	0.95

Color³

Trim	Color	Multiplier
All	Clear Diffuse [CD]	1.00
	Warm Diffuse [WD]	1.02
	White [WH]	1.05
	Black [BK]	0.99

Distribution²

Trim	Distribution	Multiplier
Overlap & Trimless	Spot [SP]	1.12
	Narrow Flood 1 [NFL1]	0.95
	Narrow Flood 2 [NFL2]	0.99
	Flood 1 [FL1]	0.99
	Flood 2 [FL2]	1.00
	Flood 3 [FL3]	0.95
	Wide Flood 1 [WFL1]	0.94
	Wide Flood 2 [WFL2]	0.90
	Very Wide Flood [VWFL]	0.86
	Linear Spread 1 [LS1]	0.94
	Linear Spread 2 [LS2]	0.88

How To Use Lumen Multipliers

Formula:

(Lumen Output Value) x (Color Temperature & CRI¹) x (Distribution²) x (Color³)

Example:

FLCS2-RO-1500L-935K-FL1-LCS4-RDO-WH
 (1500) x (0.82) x (.99) x (1.05) ≈ 1279lm (estimated delivered lumens)

Multiplier charts are provided to aid with estimation of lumen levels across options. Apply multipliers against ordered Lumen Output to estimate Delivered Lumens. An estimation should make use of all tables through consecutive application of three multipliers. Refer to IES files for most accurate photometric information.