

# ID+ 3.5"

LED ADJUSTABLE



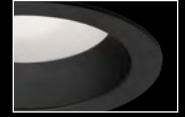
FOCAL POINT®



clear diffuse



warm diffuse



black painted



white painted

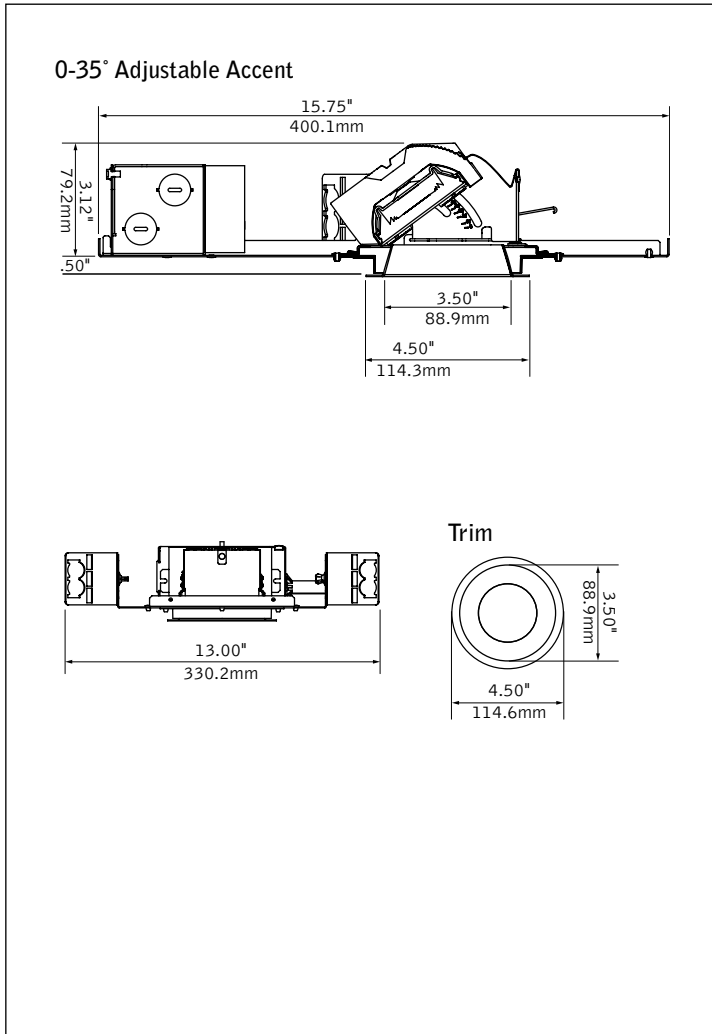


spot -open optic



trimless companion

## DIMENSIONAL DATA



## FEATURES

Small aperture LED adjustable accent with shallow housing for restricted plenum ceilings.

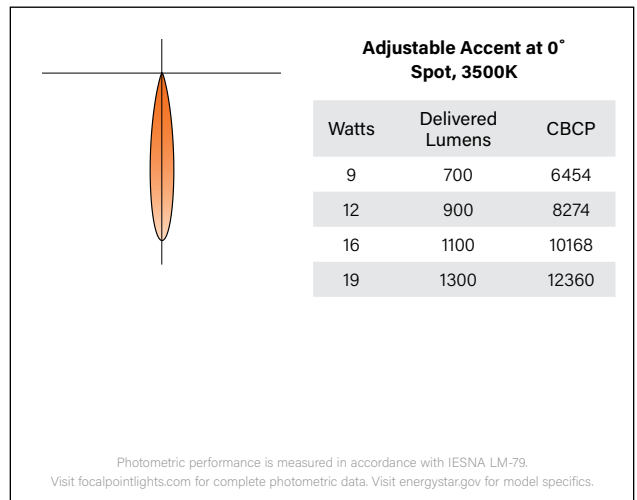
Tension locking mechanism for tool-less adjustability and precise aiming with 35° vertical tilt and 362° rotation.

Field changeable beam spread optics to accommodate post-installation design changes.

Selection of die-cast trims with Solite lens to complement any design.

PoE compatible: Integrates with Power over Ethernet lighting systems via standard, low-voltage wires.

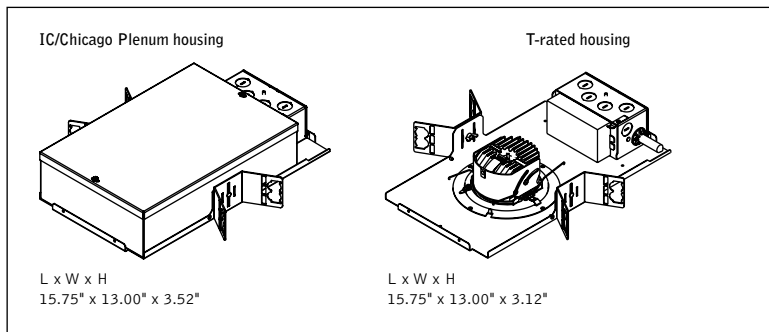
## PERFORMANCE



fixture:

project:

**HOUSING DETAILS**



**HOUSING SPECIFICATIONS**

**LED System**

Proprietary LED module with single light emitting source. May be specified in 2700K, 3000K, 3500K or 4000K in CRI>80 or CRI>90. Color accuracy within 2 SDCM. Aluminum heat sink provides appropriate thermal management.

**Construction**

Thermally protected housing for new construction applications. Insulation to be kept 3" away from housing. Type IC inherently protected, suitable for direct contact with insulation. Restrictive airflow per ASTM-E283. Butterfly brackets allow mounting to ½ emt. Order bar hangers as an accessory. Die-cast aluminum heat sink designed for maximum thermal dissipation. Die-formed housing and integral junction box with (7) 1/2" pry outs. UL & cUL listed for (8) #12 AWG (4 in, 4 out) 90°C conductors and feed through-branch wiring. Accommodates ceiling thicknesses from 0.5" to 1" thickness. For thicker ceiling consult factory. Fixture will not exceed 5 lb.

**Adjustment**

35° vertical tilt and 362° rotation of light module.

**Electrical**

Choice of constant current dimming drivers. Power factor > .9 typical. PoE compatible: Integrates with Power over Ethernet lighting systems via standard, low-voltage wires.

**Emergency**

Bodine BSL17C-C2. Emergency output —7W for 90 minutes. Above ceiling access only. Maximum mounting height: 10.78ft.

**Labels**

UL and cUL Listed. Suitable for Dry or Damp Locations, indoor use only. AA trim optic with Solite lens, wet location standard.

**Lumen Maintenance**

Reported: L70 at >55,000 hours                      Calculated: L70 at 420,000 hours  
 L90 at >55,000 hours                                  L90 at 108,000 hours

Derived from EPA TM-21 calculator. Based on typical conditions, consult factory for additional data.

**Reliability**

At Focal Point, our products are designed to stand the test of time. Each luminaire is engineered using superior components, manufactured with the utmost care and rigorously tested. Contact us for reliability data.

**Warranty**

LED System rated for operation in ambient environments up to 25°C. 5-year limited warranty.

**HOUSING ORDERING**

<b>Housing Series</b>	<b>FLCS3</b>
ID+ 3.5" Round Housing	FLCS3
<b>Trim Type</b>	<b>RO</b>
Round Overlap	RO
<b>Lumen Output</b>	
700 Lumens	700L
900 Lumens	900L
1100 Lumens	1100L
1300 Lumens	1300L
<b>Color Temperature</b>	
2700K, 80+ CRI or 90+ CRI	27K or 927K
3000K, 80+ CRI or 90+ CRI	30K or 930K
3500K, 80+ CRI or 90+ CRI	35K or 935K
4000K, 80+ CRI or 90+ CRI	40K or 940K

<b>Distribution</b>	
15° Spot <small>(AAS trim optic only)</small>	SP
18° Spot with Solite Lens	SPA
25° Narrow Flood	NFL
40° Flood	FL
30° x 15° Linear Spread Lens	LS

<b>Voltage</b>	
120V	120
277V	277
Low Voltage	LV

<b>Control System &amp; Dimming Level</b>	
0-10V - 1% Dimming	L11
0-10V - 10% Dimming	LD1
0-10V - 0% Dimming	LZ1
<b>Low Voltage, PoE compatible</b> <small>(No driver. Not available with EMR. LV Voltage only)</small>	LVN

<b>Forward Phase</b> <small>(120V only. 700L &amp; 1100L only.)</small>	LFP
DALI - 1% Dimming	D11
DALI - 0% Dimming	DZ1
<b>Lutron Hi-Lume EcoSystem (LDE1) - 1% Dimming</b>	LH1

<b>Housing Type</b>	
IC Rated / Airtight <small>(1300L not available. 1100 not available with Lutron.)</small>	IC
<b>Thermally Protected, Non-IC</b> <small>(900 Lumen max with LVN)</small>	T

<b>Factory Options</b>	
Bar Hangers	BH
Chicago Plenum / National Plenum <small>(Inverter required to achieve Emergency lighting)</small>	CP
<b>Emergency Battery with Remote Test Switch</b> <small>(Above ceiling access only. Not available with Chicago Plenum or IC)</small>	EMR

**TRIM ORDERING**

<b>Aperture</b>	<b>LCS3</b>
3.5" Round Aperture	LCS3

<b>Trim Type</b>	<b>RO</b>
Round Overlap	RO

<b>Optic</b>	
Adjustable Accent <small>(Solite lens standard)</small>	AA

Adjustable Accent - 15° Spot <small>(Open optic, no wet location. SP distribution only)</small>	AAS
--	-----

<b>Reflector Color</b>	
Clear Diffuse	CD
Warm Diffuse	WD
Black	BK
White	WH

<b>Flange Finish</b> <small>(Leave blank for matching reflector and flange finish. Available with CD &amp; WD only.)</small>	
Black	BK
White	WH

**ACCESSORIES**

(One kit included per order as indicated in Distribution above. Order additional kits to change distribution in the field as needed.)

Spot Kit	FLCS3-SPAK
Narrow Flood Kit	FLCS3-NFLK
Flood Kit	FLCS3-FLK
Linear Spread Kit	FLCS3-LSK

## TRIM SPECIFICATIONS

### Aesthetics

Reflector is Die-cast aluminum. Torsion springs pull trim tight to the ceiling with no visible fasteners within the trim. Trims are self-flanged.

### Optics

Beam spreads achieved with optics that may be easily changed in field.

## 15° SPOT PERFORMANCE CHART

Delivered Lumens	System Watts	Lumens per Watt (LPW)	Center Beam Candlepower (CBCP)
700	9	77	6454
900	12	77	8274
1100	16	69	10168
1300	19	71	12360

Tested with 3500K, 80CRI, Clear Diffuse Reflector. Lumen multipliers: 90CRI = 0.75, WD = 0.9963, BK = 0.9726, WH = 1.0126. Lumen output may vary +/- 5%. Actual wattage may vary +/- 5%.

# Declare.

## ID+ 3.5" Adjustable Accent Focal Point, LLC

**Final Assembly:** Chicago, Illinois, USA

**Life Expectancy:** 10 Year(s)

**End of Life Options:** Recyclable (55%), Landfill (45%)

### Ingredients:

Steel; Aluminum; Small Electrical Components - RoHS Compliant<sup>1</sup>; Copper; Carbonic dichloride, polymer with 4,4'-(1-methylethylidene)bis[phenol], 4-(1-methyl-1-phenylethyl)phenyl ester; **Polyvinyl chloride**; Zinc; Poly[imino(1,6-dioxo-1,6-hexanediyl)imino-1,6-hexanediyl]; Polymethyl methacrylate; Steel, carbon; Steel manufacture, chemicals; **Benzene, ethenyl-, homopolymer, brominated, Bis(pentabromophenyl) ether (decabromodiphenyl ether) (DecaBDE)**; Polyethylene; Polypropylene; Glass, oxide, chemicals; Polyethylene Terephthalate/Polybutylene Terephthalate; Polydimethylsiloxane; Silica, amorphous, fumed, cryst.-free; Di(2-ethylhexyl) terephthalate; Antimony oxide (Antimony trioxide); Calcium carbonate; Phenol, 4,4'-(1-methylethylidene)bis[2,6-dibromo-, polymer with (chloromethyl)oxirane and 4,4'-(1-methylethylidene)bis[phenol]]; Nylon 6; Aluminum hydroxide; **Tris (2-chloroethyl) phosphate (TCEP)**; Aluminum Oxide; Carbonic acid, polymer with 4,4'-(1-methylethylidene)bis[phenol]; CW107C Copper Alloy; Siloxanes and Silicones, Me Ph; Silsesquioxanes, Me; UNS S30100 Stainless Steel

<sup>1</sup>LBC Temp Exception RL-002 - Small Electrical Components

### Living Building Challenge Criteria:

#### I-13 Red List:

- LBC Red List Free      % Disclosed: 100% at 100ppm  
 LBC Red List Approved      VOC Content: Not Applicable  
 Declared

**I-10 Interior Performance:** Not Applicable

**I-14 Responsible Sourcing:** Not Applicable

FPL-0006

EXP. 01 JAN 2026

Original Issue Date: 2024

INTERNATIONAL LIVING FUTURE INSTITUTE™ [living-future.org/declare](http://living-future.org/declare)