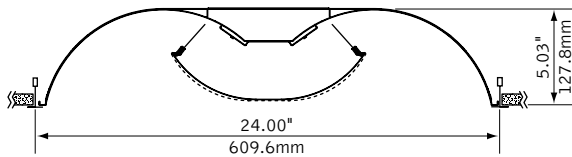


Luna[®] 2x4

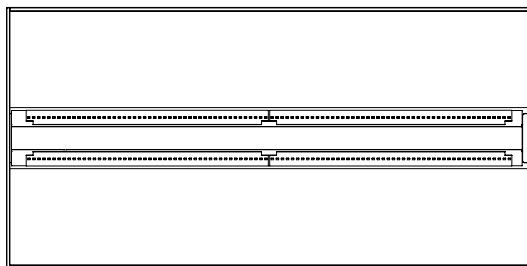
LED



DIMENSIONAL DATA



Overall height of ST luminaire is 5.5"



4 LED boards

FEATURES

Architectural recessed LED luminaire with perforated center basket.

Classic style updated with the latest technology.

Reflector and end caps form seamless one-piece housing.

High reflectance, low gloss Matte White finish controls glare.

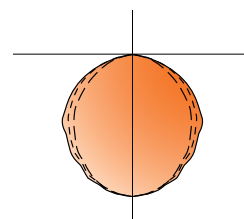
Comparable output to fluorescent versions with reduced wattage.

Luna[®] LED provides high angle uniform distribution ideal for comfortable general illumination.

Connected Solutions: Integrates with wired and wireless building lighting control systems.

PoE compatible: Integrates with Power over Ethernet lighting systems via standard, low-voltage wires.

PERFORMANCE



PRODUCT OVERVIEW

Lumen Output: 3000-7000lm

Wattage: 30-83W

LPW: 83-101

SDCM: 3

Delivered Lumens: 5000lm

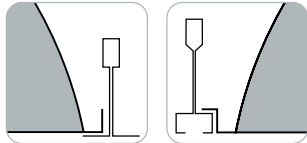
Total System Watts: 56W

Photometric performance is measured in accordance with IESNA LM-79.
Visit focalpointlights.com for complete photometric data.

MOUNTING INFORMATION

grid

specify "G" for flat 9/16" and 15/16" tee or "ST" for 9/16" slot tee grid types.

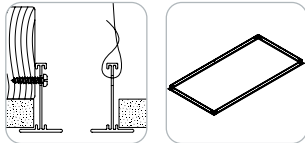


"G" flat tee "ST" slot tee

Overall height for ST luminaire is 5.50".

drywall frame kit

specify "DF" Drywall Frame Kit for drywall ceiling conditions.



Use tie-wire or screws to secure frame kit.

cut out dimensions:
 2': Min: 24.25" Max: 24.563"
 4': Min: 48.25" Max: 48.563"

SPECIFICATIONS

LED System

Proprietary linear LED module incorporates premium LEDs on a robust platform to achieve excellent thermal management. LEDs are placed to promote a uniform appearance. Available in 2700K, 3000K, 3500K or 4000K with CRI>80 or CRI>90. 3500K and 4000K with CRI>90 have a cyanosis observation index (COI) of 3.3 or less. 0-10V dimming driver standard. LED modules and drivers are replaceable.

Construction

One-piece 20 Ga. steel reflector and housing. 20 Ga. steel ends form finished housing. LEDs are shielded by detachable 22 Ga. steel perforated shield with acrylic lens insert. LED shield is secured by four spring-pins allowing shield to hinge down for maintenance. Top access 20 Ga. steel driver compartment. Weight: 29 lbs.

Optic

One-piece 20 Ga. steel reflectors finished in Matte Satin White powder coat.

Electrical

Standard 120-277V driver includes 0-10V analog dimming, dimming range 100% - 10% Power factor > .9. PoE compatible: Integrates with Power over Ethernet lighting systems via standard, low-voltage wires.

Emergency

Emergency battery output—10 watts for 90 minutes. High Output emergency battery—20 watts for 90 minutes (UNV only.) Emergency Circuit with Connected Solutions (DLM1, LMFS1, LMFSD, NLT1, ENL1, CLM1, NXE1, WLXP) requires a UL924 compliant device, consult factory.

Labels

UL and cUL Listed. Suitable for Dry or Damp Locations, indoor use only.

Finish

Polyester powder coat applied over a multi-stage pre-treatment. Optional Anti-Microbial paint finish available.

Lumen Maintenance

Reported: L70 > 60,000 hours Calculated: L70 at > 124,000 hours
 L80 > 60,000 hours L80 at > 78,000 hours

(Derived from EPA TM-21 calculator. Based on typical conditions, consult factory for additional data.)

Reliability

At Focal Point, our products are designed to stand the test of time. Each luminaire is engineered using superior components, manufactured with the utmost care and rigorously tested. Contact us for reliability data.

Lifetime and warranty

LED System rated for operation in ambient environments up to 25°C. 5-year limited warranty.

PERFORMANCE CHART

Lumen Output	Tested System Watts	LPW	Lumen Output	Tested System Watts	LPW
3000	30	101	5500	61	91
3500	35	100	6000	68	88
4000	43	95	6500	76	85
4500	48	94	7000	83	83
5000	56	92			

Based on 3500K, 80 CRI. Lumen multipliers:
 Lumen output may vary +/- 5%. Actual wattage may vary +/- 5%.

Focal Point LLC reserves the right to change specifications for product improvement without notification.

ORDERING

Luminaire Series	FLUL
Luna LED	FLUL
Nominal Size	24
2' x 4'	24
Shielding	PS
Perforated Shield	PS
Lumen Output	
3000 Lumens*	3000L
3500 Lumens*	3500L
4000 Lumens	4000L
4500 Lumens	4500L
5000 Lumens	5000L
5500 Lumens	5500L
6000 Lumens*	6000L
6500 Lumens*	6500L
7000 Lumens*	7000L
(*LD1 & L11 only)	
Color Temperature	
2700K, 80+ CRI or 90+ CRI	27K or 927K
3000K, 80+ CRI or 90+ CRI	30K or 930K
3500K, 80+ CRI or 90+ CRI	35K or 935K
4000K, 80+ CRI or 90+ CRI	40K or 940K
Circuit	1C
Single Circuit	1C
Voltage	
UNV 120/277 Volt	UNV
Low Voltage	LV
Control System & Dimming Level	
0-10V - 1% Dimming	L11
0-10V - 10% Dimming	LD1
(Not Right Light as standard, consult factory)	
Low Voltage, PoE compatible	LVN
(No driver. Not available with EM or EC LV Voltage only)	
Lutron Hi-Lume EcoSystem (LDE1) - 1% Dimming	LH1
Wattstopper DLM - 1% Dimming	DLM1
(Not available with CP)	
Wattstopper Fixture Sensor	LMFS1
Low Density - 1% Dimming	
Wattstopper Fixture Sensor	LMFSD
High Density - 1% Dimming	
Acuity nLight - 1% Dimming	NLT1
(Not available with CP)	
Enlighted Smart Sensor - 1% Dimming	ENL1
Encelium CLM Connected Lighting Module - 1% Dimming	CLM1
Current NX Enabled - 1% Dimming	NXE1
(Not available with CP)	
WaveLinx Pro - 1% Dimming	WLXP
Mounting	
24" Aircraft Cable	C24
48" Aircraft Cable	C48
96" Aircraft Cable	C96
Drywall Frame Kit	F
(Not available with CLM1, DLM1, NLT1 or NXE1.)	
(Cut out dimensions: Min: 24.25"/Max: 24.563"	
Min: 48.25"/Max: 48.563")	
Grid	G
Slot Tee	ST
Surface Mount	SM
(Not available with CLM1, DLM1, NLT1 or NXE1.)	
Factory Options	
Air Return	AR
(Adds 0.875" to overall height.)	
Chicago Plenum	CP
(Not available with flex whip)	
Emergency Battery¹	EM
(Adds 3.25" to overall height.)	
High Output Emergency Battery	B20
(Adds 3.25" to overall height. UNV only.)	
Positional Clip	EQ
6' New York City Flex Whip (120V)	FNY1
6' New York City Flex Whip (277V)	FNY2
6' Flex Whip	FW
Finish	
Matte Satin White	WH
Matte Satin White Anti-Microbial	WHA

QS 5/10⁺ DAY Options in orange qualify for the Quickship program. 5-day up to 100 pieces, 10-day up to 300 pieces. Emergency Battery is 10-day only. Refer to Quickship Guide for complete details.

Focal Point provides flexibility in meeting the needs of each project by integrating with several building lighting control systems. A variety of sensors, drivers and other components can be specified that allow the luminaires to communicate with wired and wireless networks. All zoning can be digitally reconfigured through the application software. Daylight harvesting, occupancy sensing, integration with HVAC systems, and individual controls enable the monitoring and modulating of light levels and temperature in order to save energy, reduce costs and maximize occupants' comfort. All Connected Solutions luminaires require a compatible building control system.†

Connected Solution	Ordering Code	Model #**	Protocol	Compatible Networks*	Occupancy & Daylight	Temperature Reporting	Communication to Luminaire	Drivers
 WATTSTOPPER®	DLM1	LMFC-011	DLM	DLM	Enabled	No	Wired 	Advance by Signify , Optotronic by eldoLED
	LMFS1	LMFS-601 & LMFI-111	DLM Wireless	DLM	Enabled	No	Wireless	Advance by Signify
LMFSD	LMFS-601	Optotronic by eldoLED (Dexal)						
	WLXP	OEM-WAA	WaveLinx Wireless	WaveLinx Pro Trellix	Enabled	No	Wireless (WaveLinx Pro Wireless Area Controller)	Advance by Signify
	L11	Specified Driver	0-10V	Crestron Züm Wireless & SpaceBuilder	Enabled	No	Wired	Advance by Signify
	CLM1	ZBHA-CLM-DIM-ENC	ZigBee	Encelium X Light Management System	Enabled	No	Wireless	Optotronic by eldoLED Advance by Signify
	ENL1	SU-5E-IOT	Enlighted RF	Enlighted	Integrated	Yes	Wireless	Advance by Signify
	LH1	LDE1	EcoSystem	Quantum, Energi Savr Node, Energi TriPak	Enabled	No	Wired	Lutron Hi-Lume
	NLT1	nEPS-60-IO	nLight	nLight	Enabled	No	Wired 	eldoLED ECOdrive , eldoLED SOLOdrive
							Wireless	
	NXE1	NXFM-LV	NX	NX Distributed Intelligence	Enabled	No	Wired 	Optotronic by eldoLED

*Not all compatible networks may be listed. **For performance data and additional control system details please visit the connected solutions manufacturer websites. Primary drivers are listed in bold. To specify a particular driver please consult factory. †Controls systems supplied by others.