

# Seem® 1 Wall Mount

FSM1W | FSM1BW



FOCAL POINT®

## BEFORE YOU BEGIN

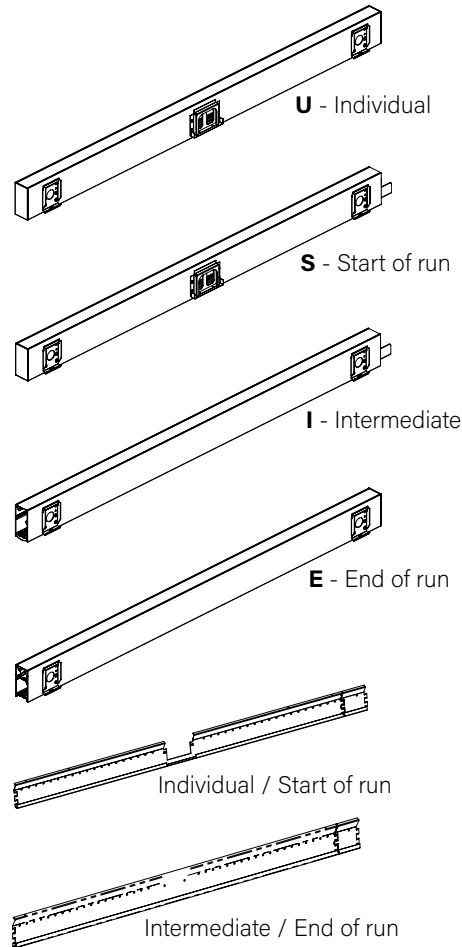
- Luminaires must be installed by a qualified electrician (check with local and national codes for proper installation).
- To prevent electrical shock, disconnect electrical supply before installation or servicing.
- Contractor is responsible for adequately reinforcing walls and/or ceilings to support fixture weight.
- Focal Point, LLC accepts no responsibility for inadequately reinforced walls and/or ceilings.
- The information contained in this drawing is the sole property of Focal Point, LLC. Any reproduction in part or whole without the written permission of Focal Point, LLC is prohibited.

## INSTRUCTION KEY

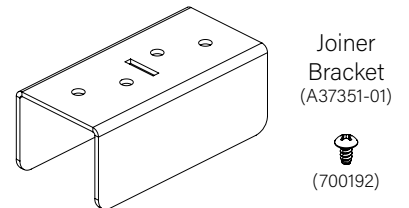
- ATTENTION**
- SEE ADDITIONAL INSTRUCTIONS**
- POWER OFF**
- POWER ON**

## COMPONENT KEY

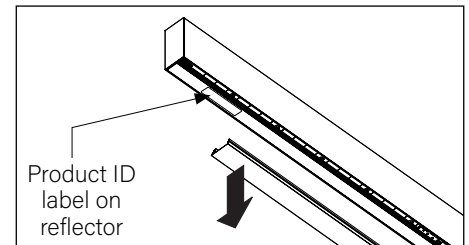
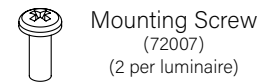
### FOCAL POINT



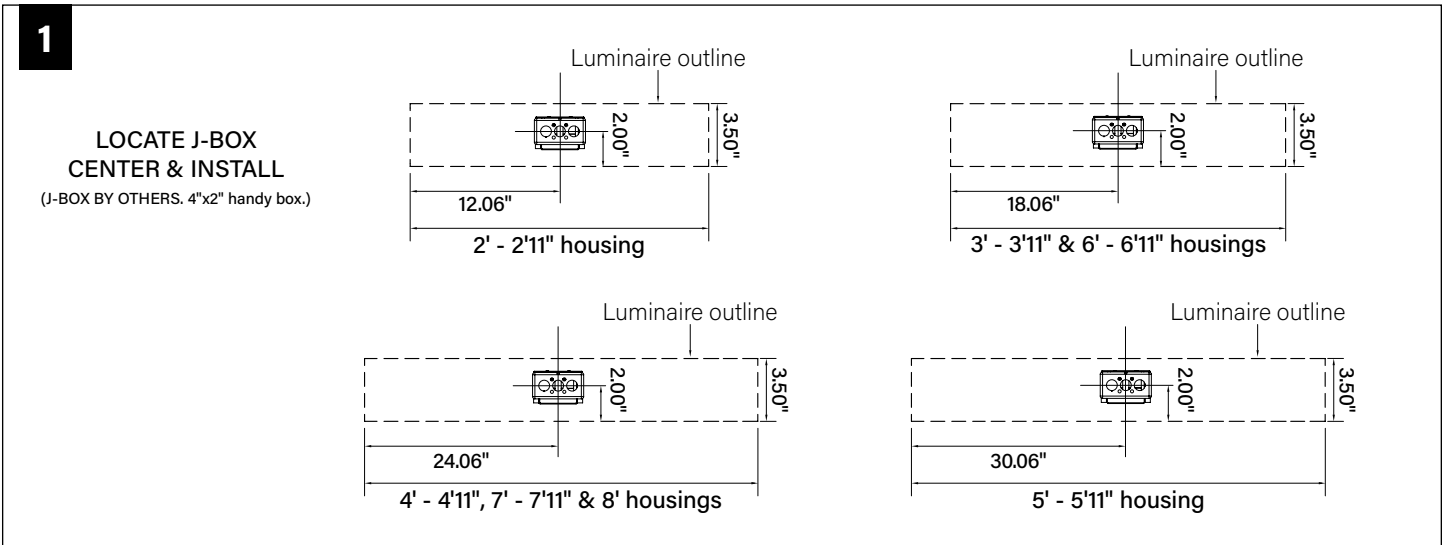
### SHIPPED INSTALLED

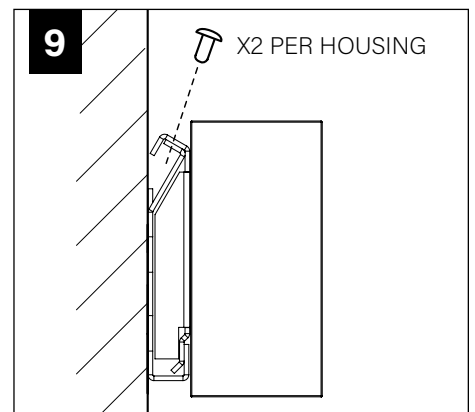
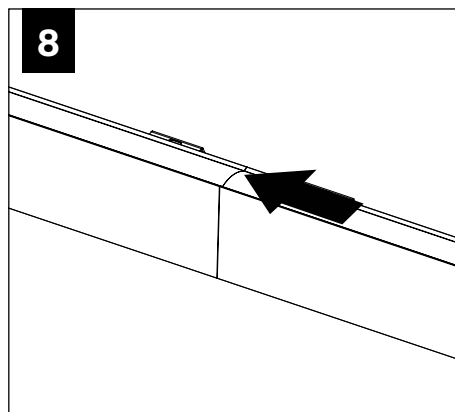
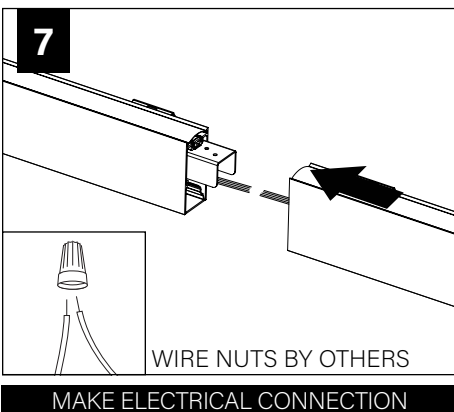
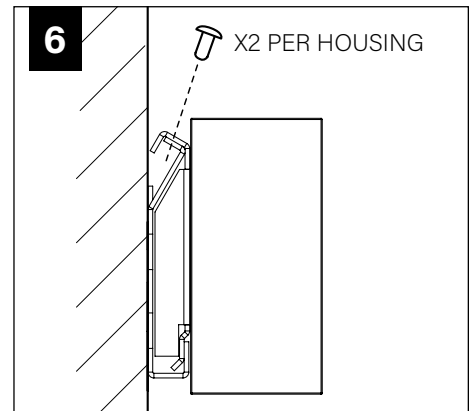
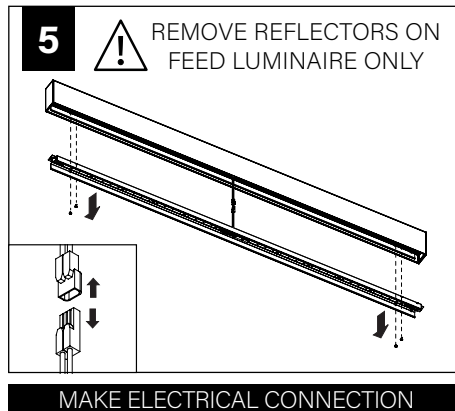
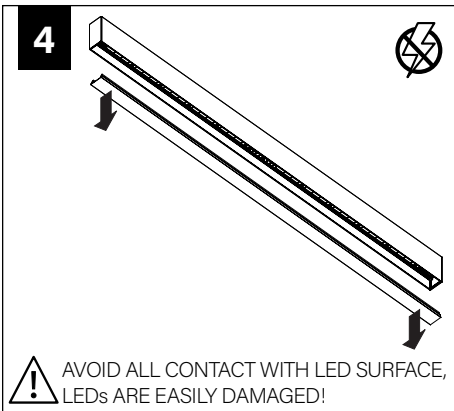
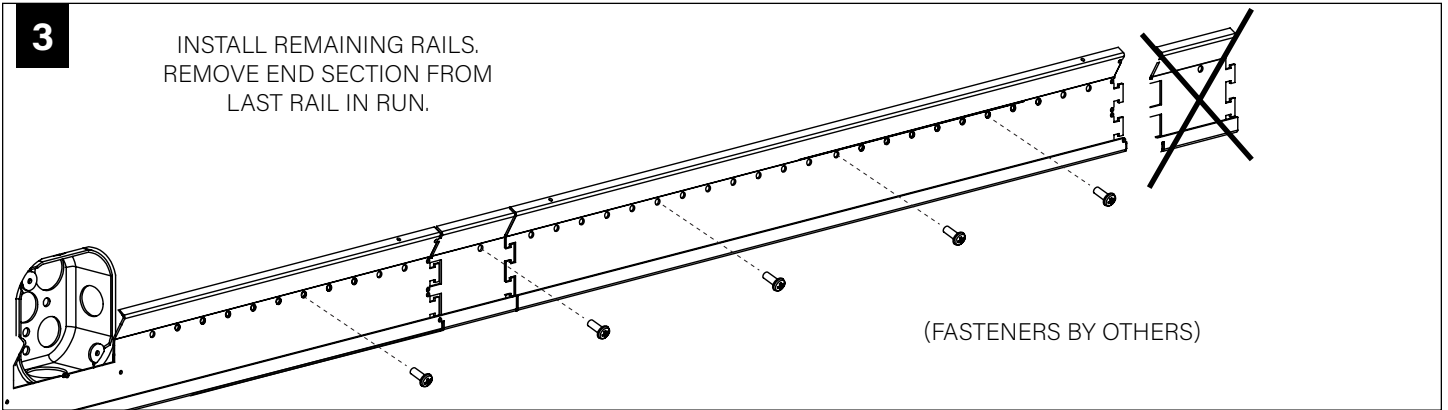
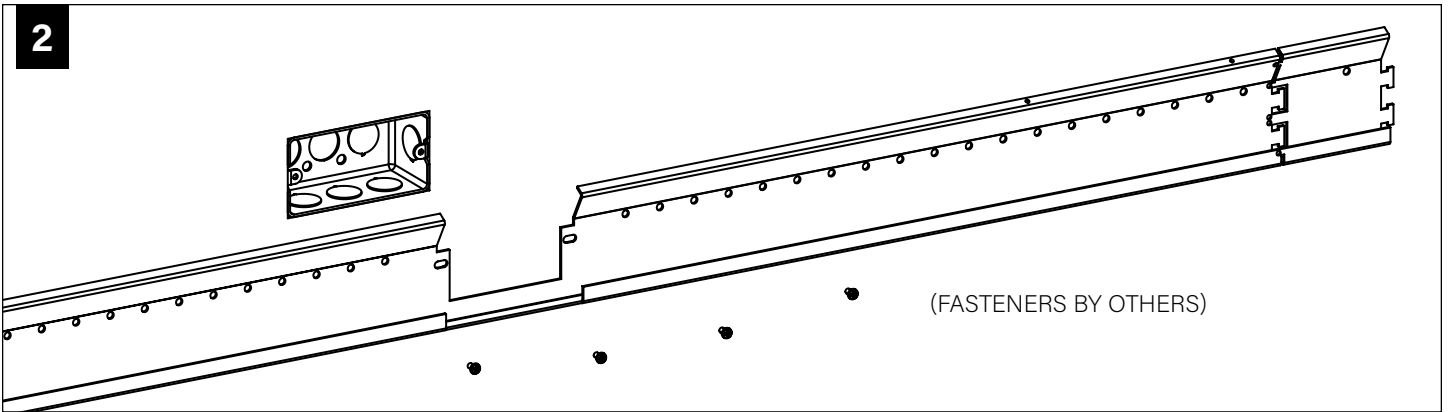


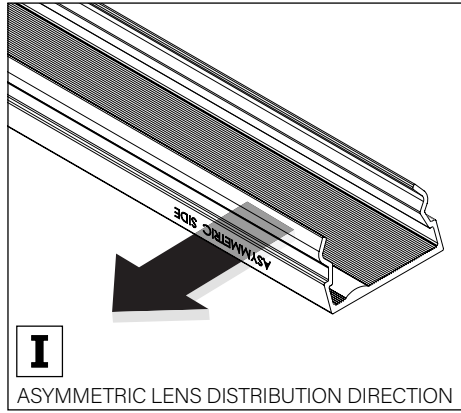
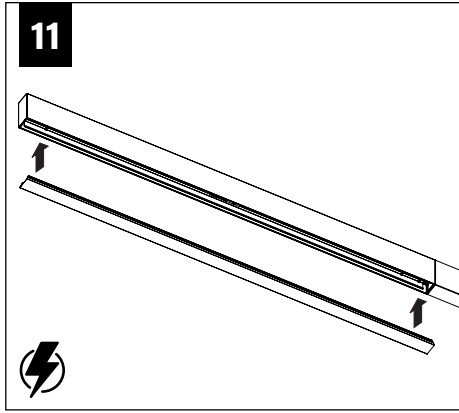
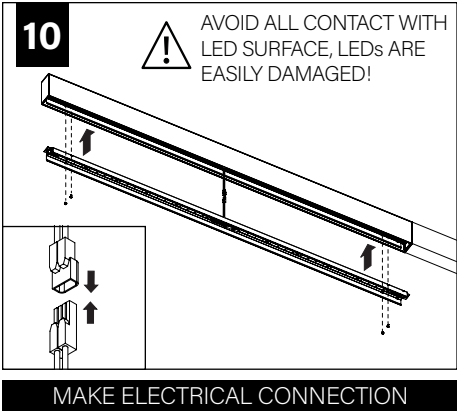
### SHIPPED IN HARDWARE BAG



**INDIVIDUAL INSTALLATIONS FOLLOW STEPS 1-6, 10 & 11**







**DRIVER SERVICE**

