

# Seem® 1 Wall to Ceiling Corners

FSM1-CXF



FOCAL POINT®

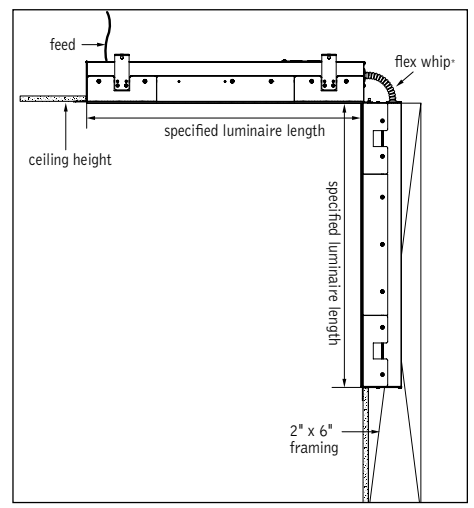
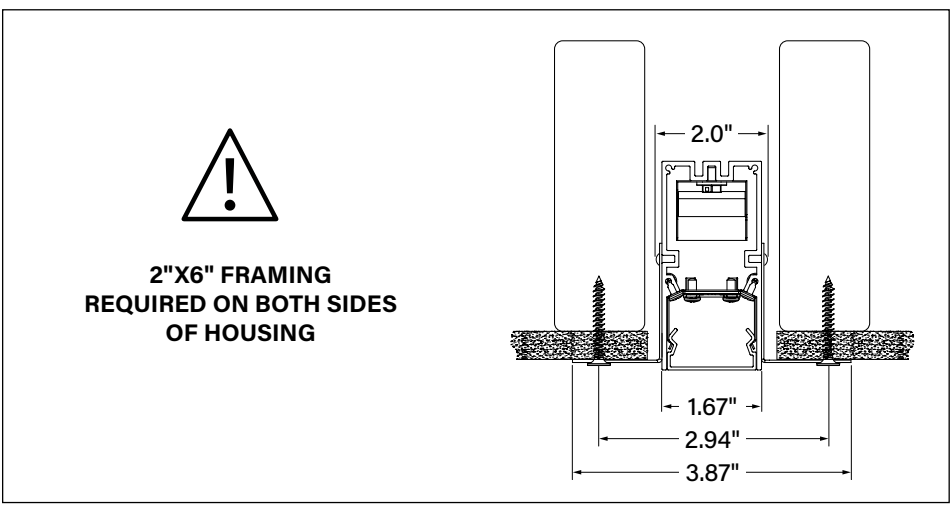
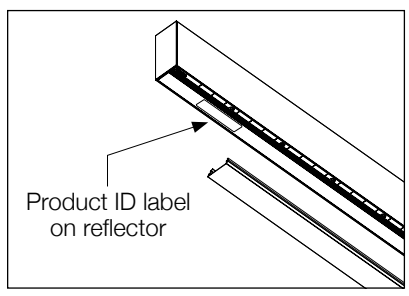
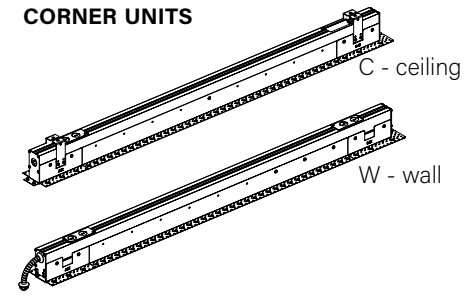
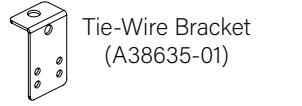
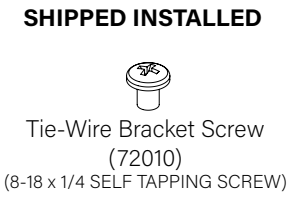
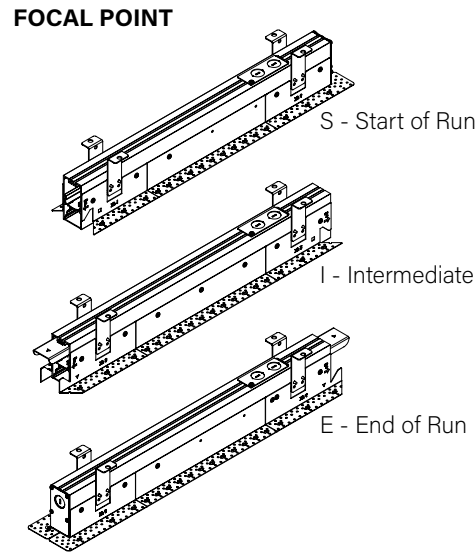
## BEFORE YOU BEGIN

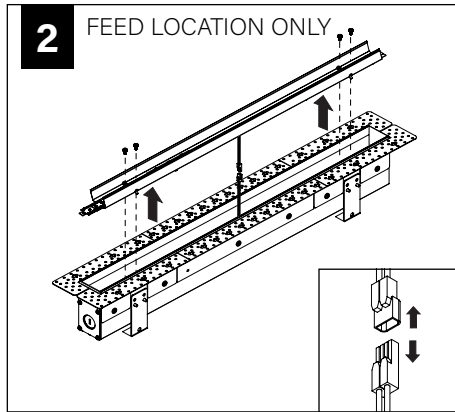
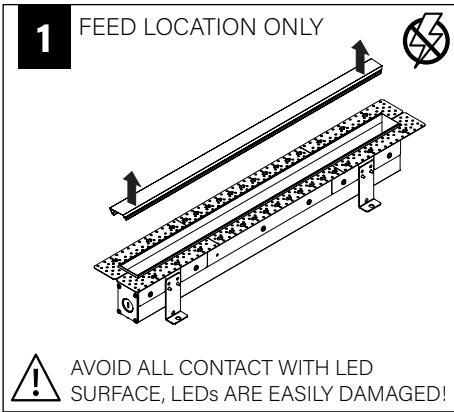
- Luminaires must be installed by a qualified electrician (check with local and national codes for proper installation).
- To prevent electrical shock, disconnect electrical supply before installation or servicing.
- Contractor is responsible for adequately reinforcing walls and/or ceilings to support fixture weight.
- Configurations are run specific, please consult factory drawings before beginning installation.
- Focal Point, LLC accepts no responsibility for inadequately reinforced walls and/or ceilings.
- The information contained in this drawing is the sole property of Focal Point, LLC. Any reproduction in part or whole without the written permission of Focal Point, LLC is prohibited.

## INSTRUCTION KEY

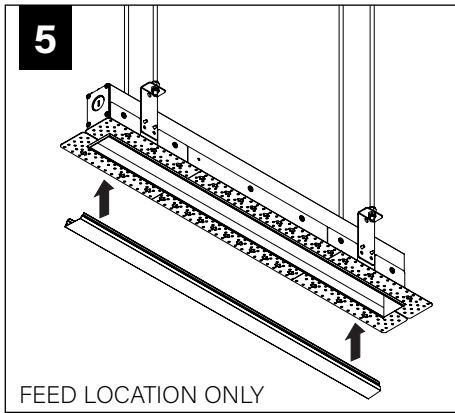
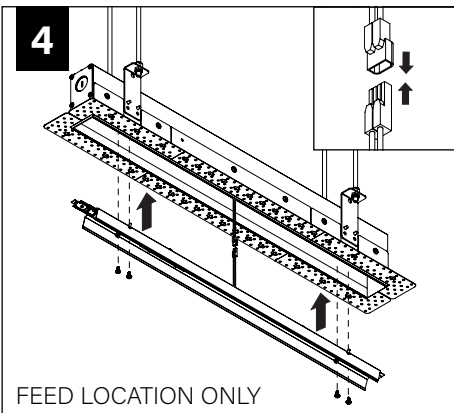
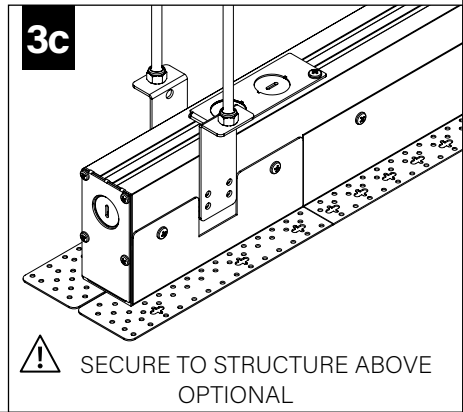
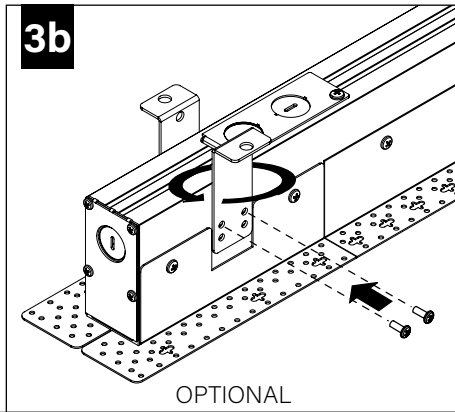
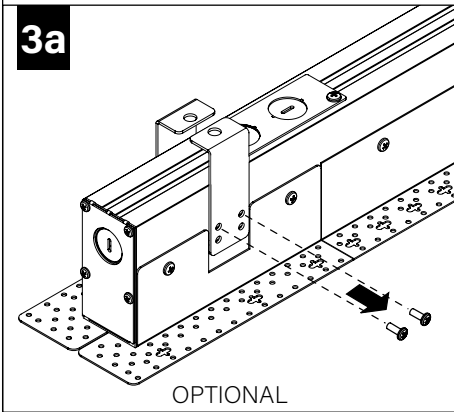
- ATTENTION
- SEE ADDITIONAL INSTRUCTIONS
- POWER OFF
- POWER ON

## COMPONENT KEY

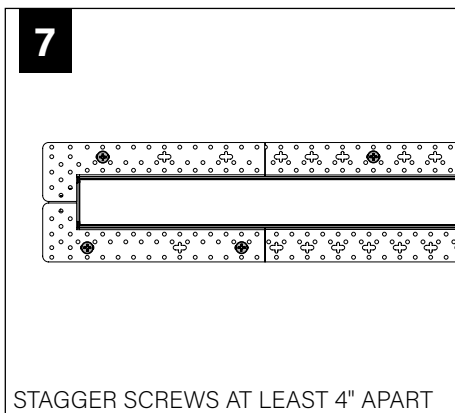
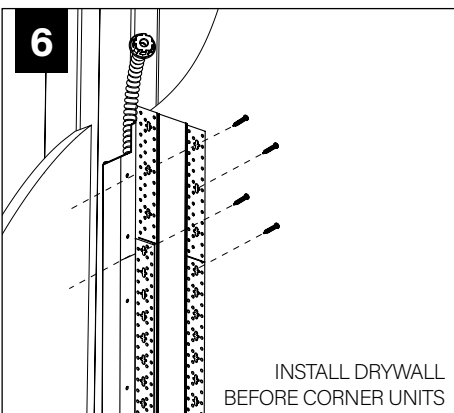


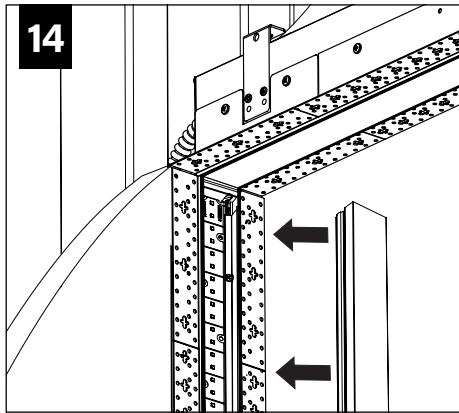
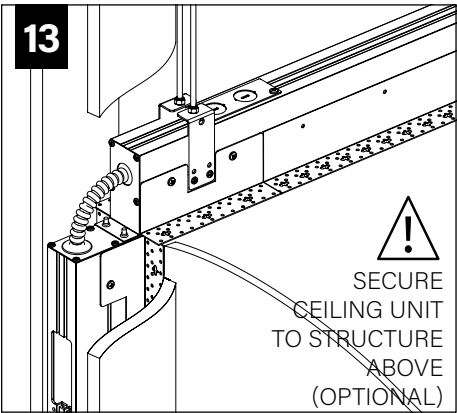
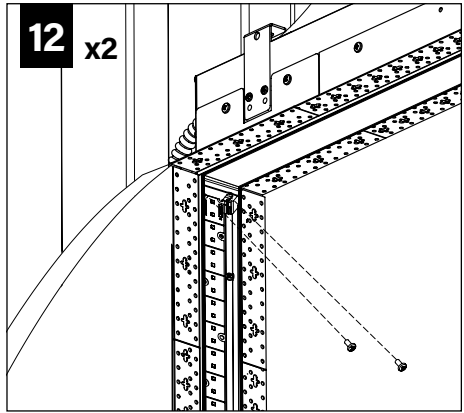
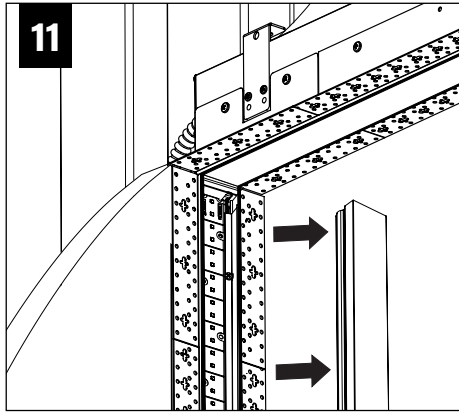
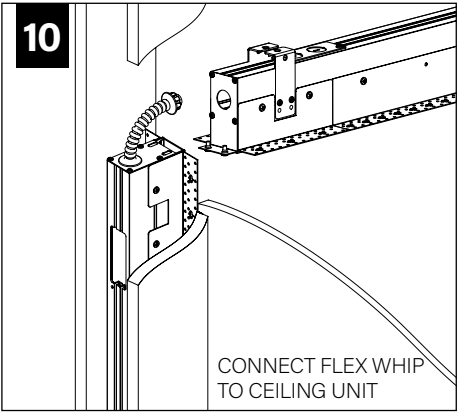
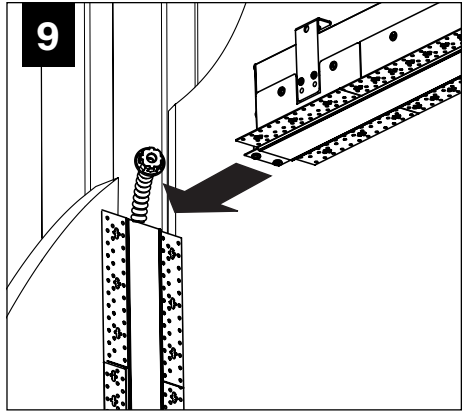
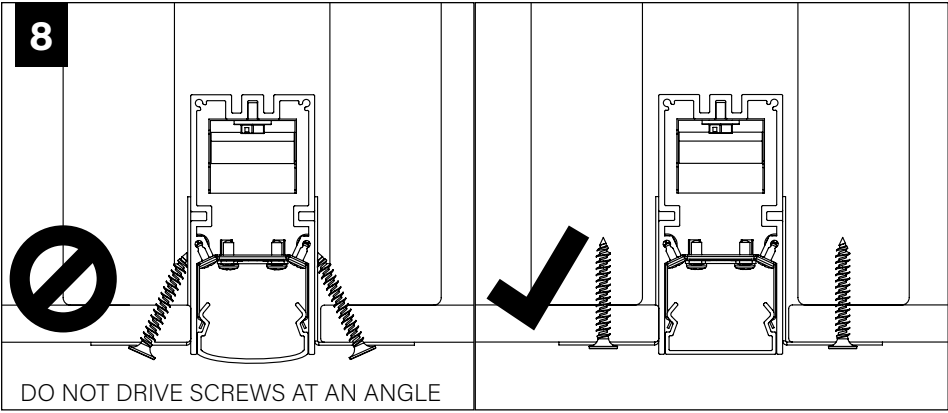


**CEILING UNITS ONLY**

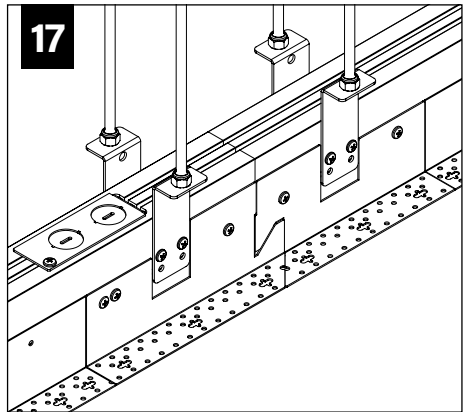
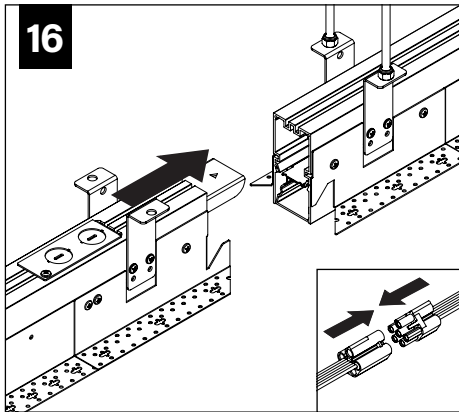
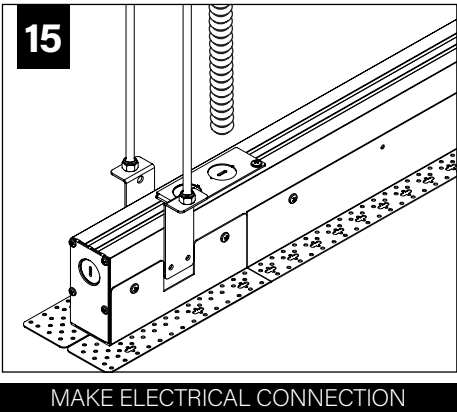


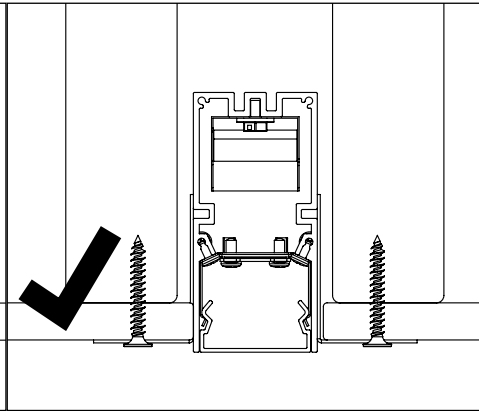
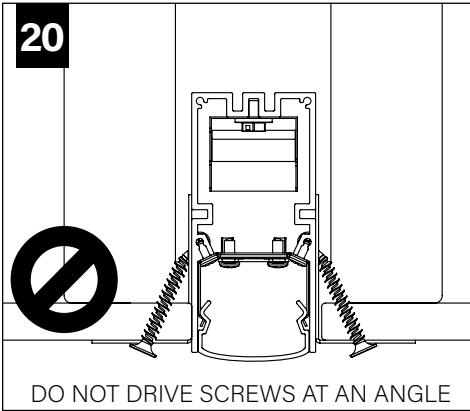
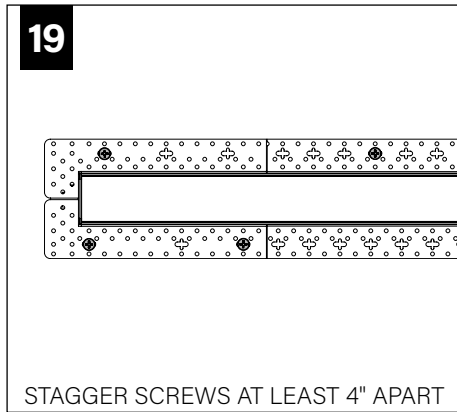
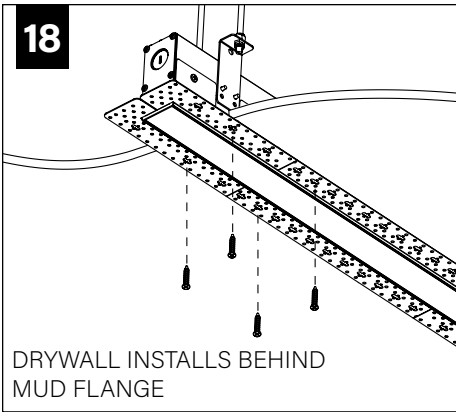
**CORNER UNITS (C & W) INSTALLATION**



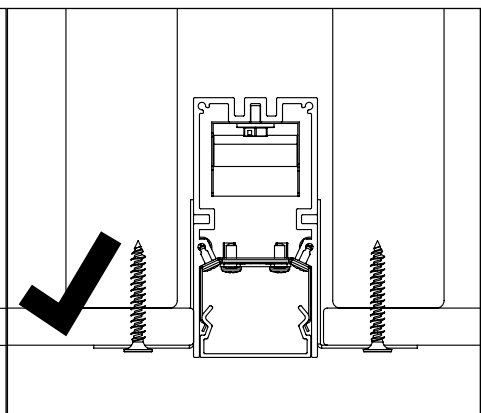
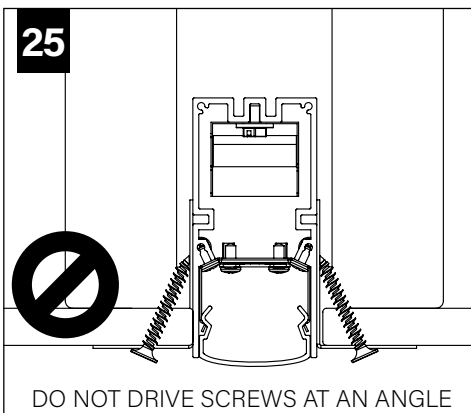
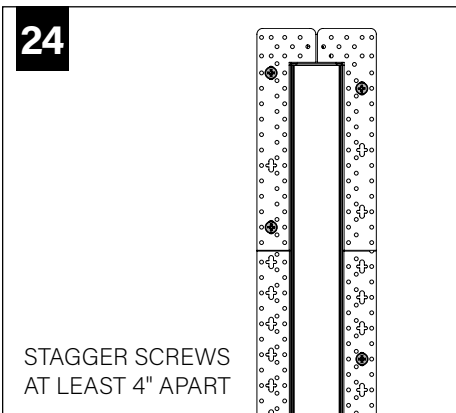
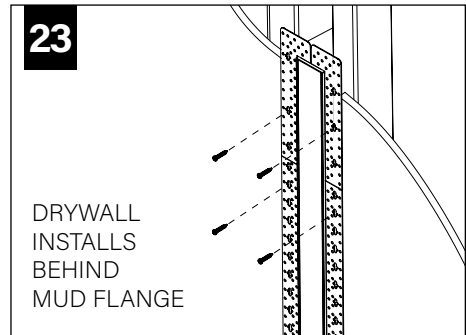
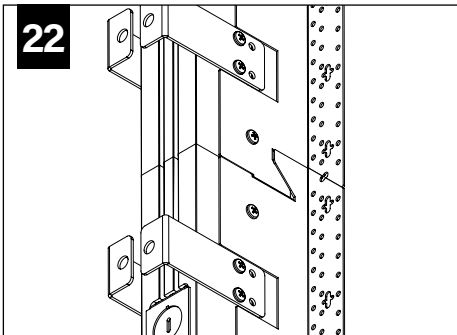
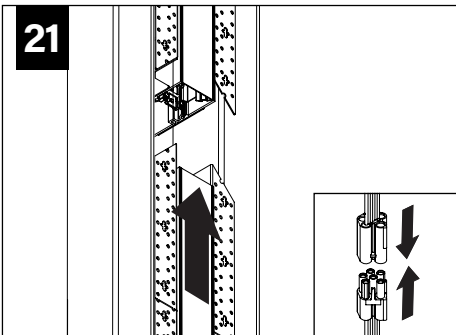


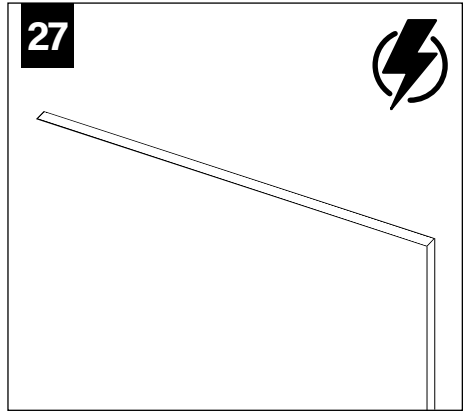
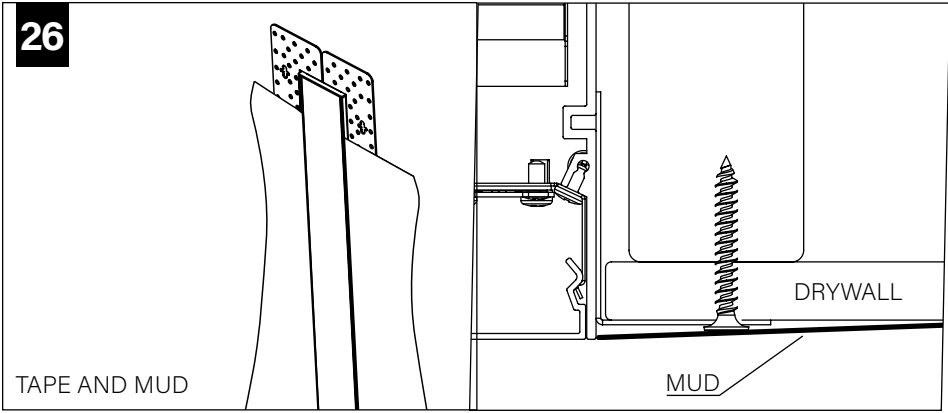
**CONTINUE INSTALLING REMAINING CEILING UNITS**





**INSTALL REMAINING WALL HOUSINGS**





**DRIVER SERVICE**

