

# Seem® 1 Surface Mount

FSM1-SM



FOCAL POINT®



## BEFORE YOU BEGIN

- Luminaires must be installed by a qualified electrician (check with local and national codes for proper installation).
- To prevent electrical shock, disconnect electrical supply before installation or servicing.
- Contractor is responsible for adequately reinforcing walls and/or ceilings to support fixture weight.
- Focal Point, LLC accepts no responsibility for inadequately reinforced walls and/or ceilings.
- The information contained in this drawing is the sole property of Focal Point, LLC. Any reproduction in part or whole without the written permission of Focal Point, LLC is prohibited.

## INSTRUCTION KEY



ATTENTION



SEE ADDITIONAL INSTRUCTIONS



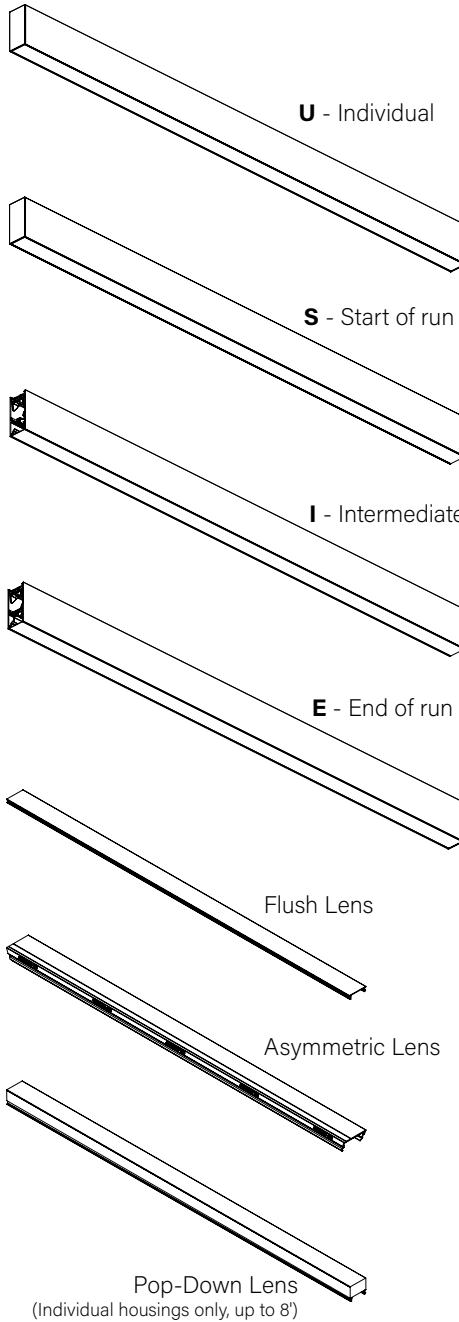
POWER OFF



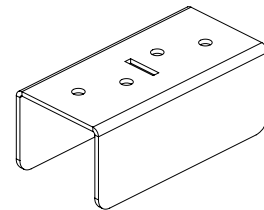
POWER ON

## COMPONENT KEY

### FOCAL POINT



### SHIPPED INSTALLED



Joiner Bracket  
(A37351-01)

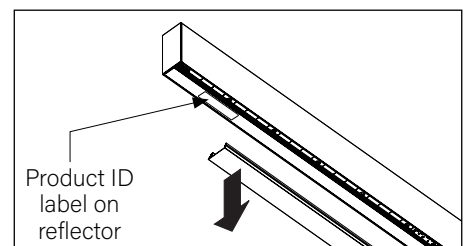


(700192)

### SHIPPED IN HARDWARE BAG

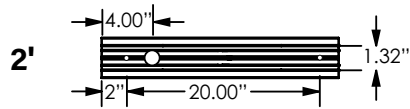


Mounting Screw  
(72007)  
(2 per luminaire)

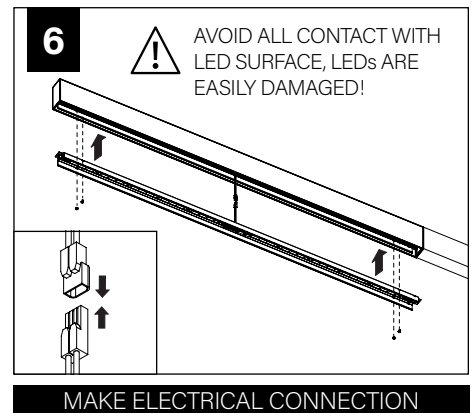
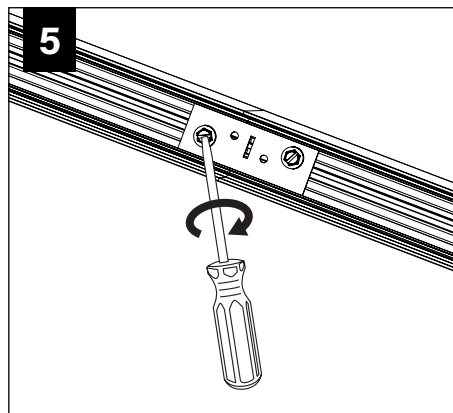
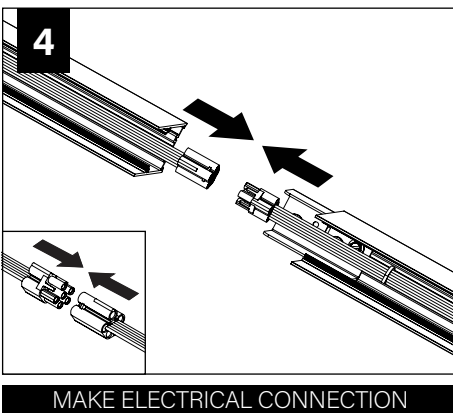
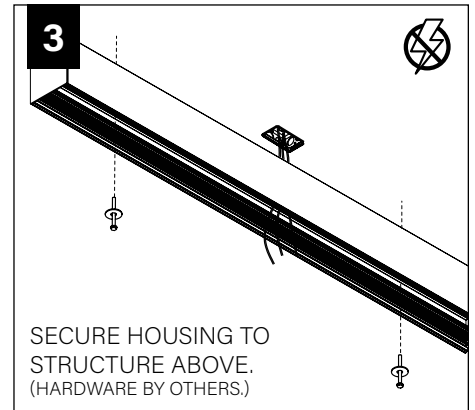
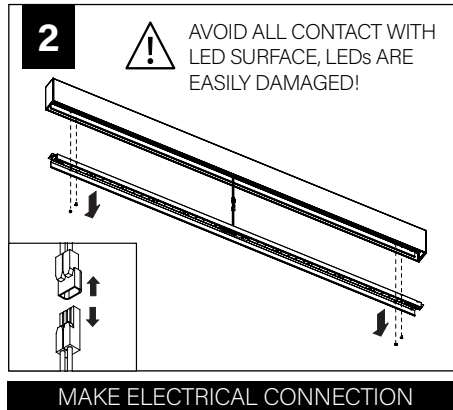
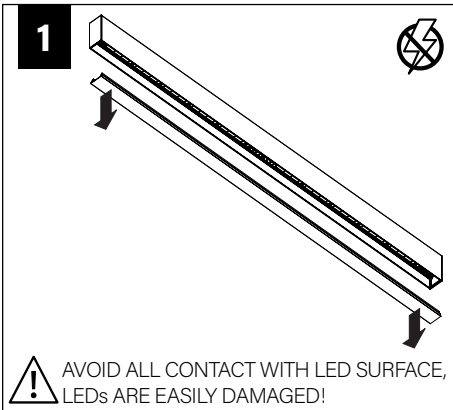
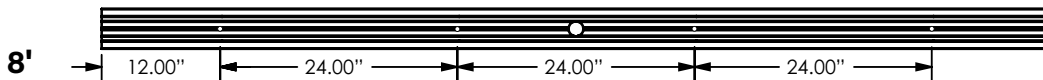
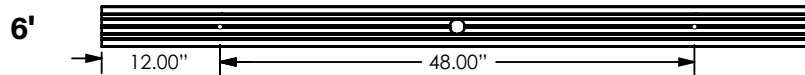
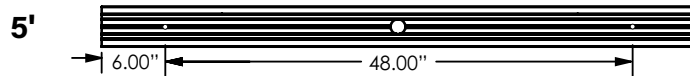
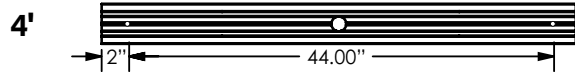
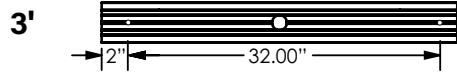


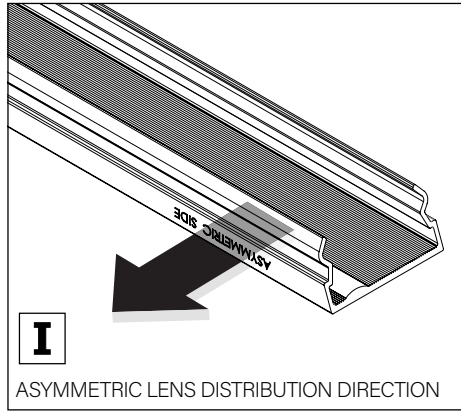
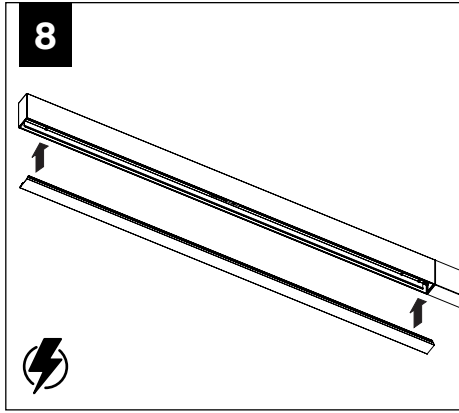
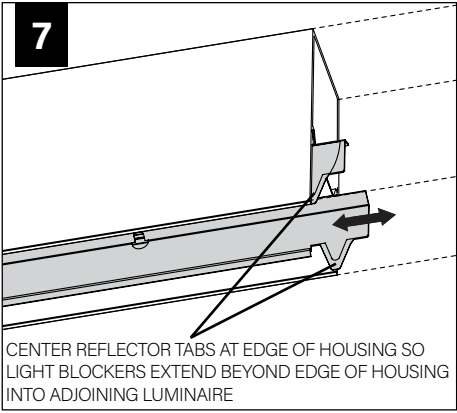
INDIVIDUAL INSTALLATIONS  
FOLLOW STEPS 1-3, 6 & 9

# MOUNTING



Feed location is always centered in housing, with the exception of the 2' housing. Use single device cover or single gang handy box and mounting hardware (by others)





**DRIVER SERVICE**

