

Seem 2 LED Surface Mount

Surface Mount | FSM2S-SM



FOCAL POINT®



BEFORE YOU BEGIN

- Luminaires must be installed by a qualified electrician (check with local and national codes for proper installation).
- To prevent electrical shock, disconnect electrical supply before installation or servicing.
- Contractor is responsible for adequately reinforcing walls and/or ceilings to support fixture weight.
- Focal Point, LLC accepts no responsibility for inadequately reinforced walls and/or ceilings.
- The information contained in this drawing is the sole property of Focal Point, LLC. Any reproduction in part or whole without the written permission of Focal Point, LLC is prohibited.

INSTRUCTION KEY



ATTENTION



SEE ADDITIONAL INSTRUCTIONS



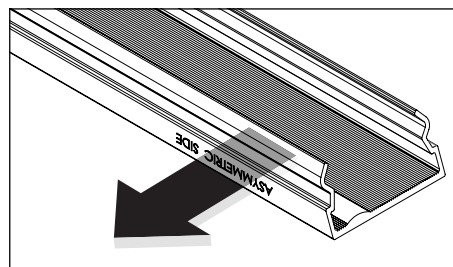
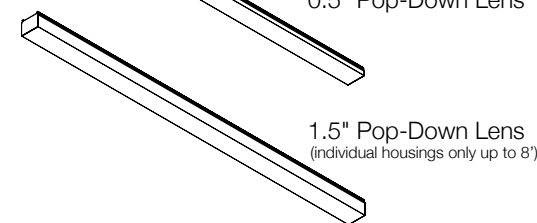
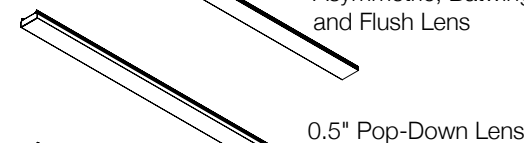
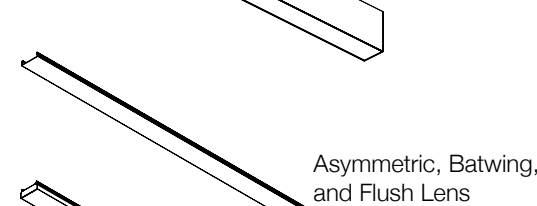
POWER OFF



POWER ON

COMPONENT KEY

FOCAL POINT

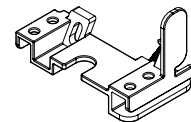


Asymmetric Lens Distribution Direction

SHIPPED INSTALLED



Reflector Screw (72026)
(6-32 x 1/4 SELF TAPPING SCREW)



Joiner Bracket
Assembly
(A48094-01)

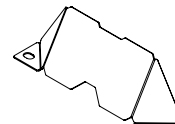
SHIPPED IN HARDWARE BAG



Extra Joiner Bracket Assembly Screw
(700309)

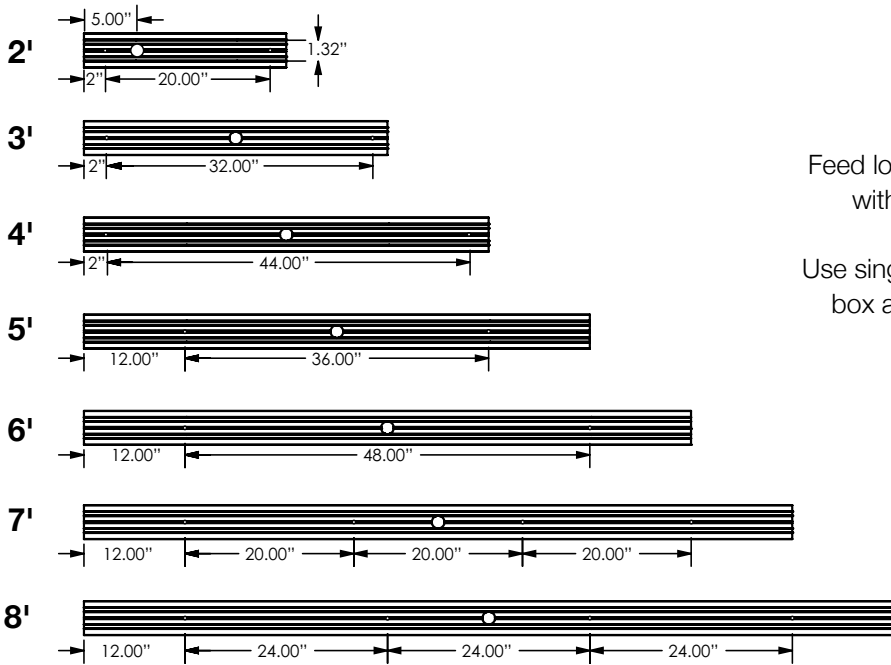


Gripper Bracket & Joiner
Blocker Screw (700348)
(6-32 x 5/16 SELF TAPPING SCREW)



Joiner Blocker
(A48495-01-WH)

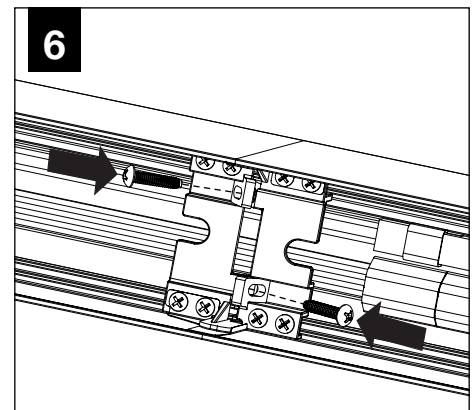
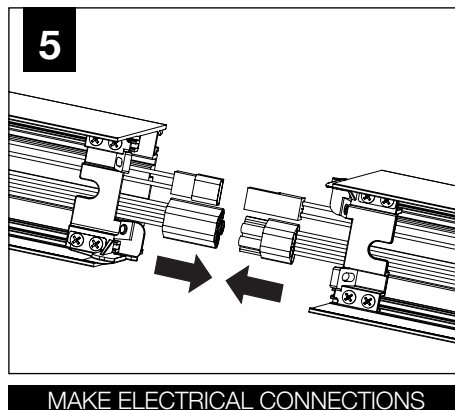
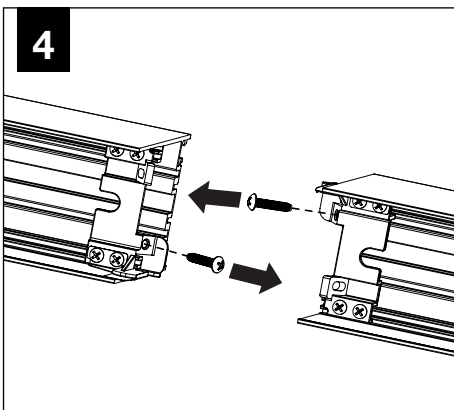
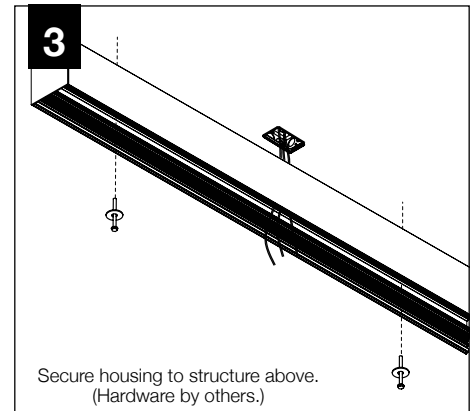
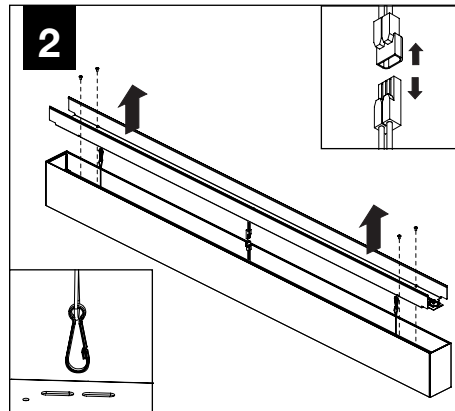
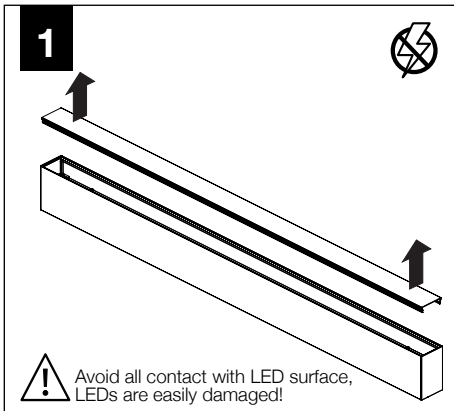
MOUNTING

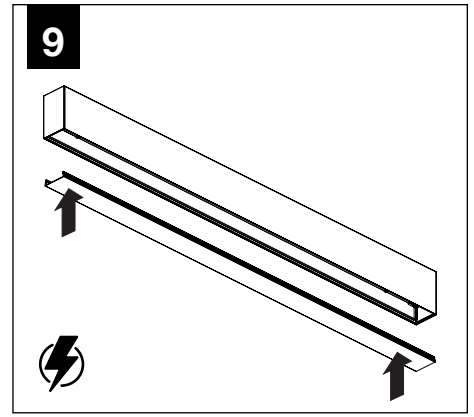
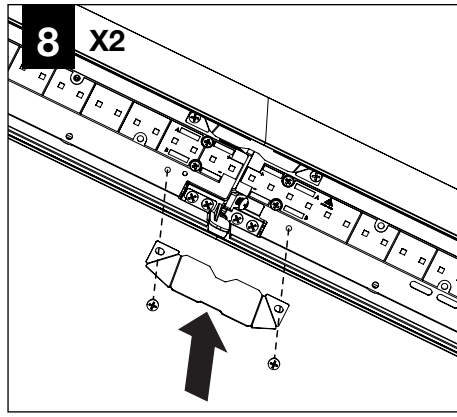
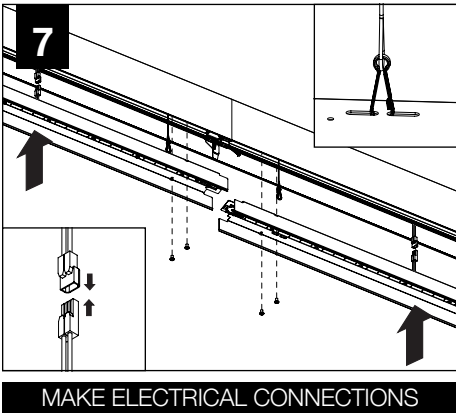


Feed location is always centered in housing, with the exception of the 2' housing.

Use single device cover or single gang handy box and mounting hardware (by others).

⚠️ INDIVIDUAL UNIT INSTALLATION FOLLOW STEPS 1, 2, 3, 7 & 9





DRIVER SERVICE

