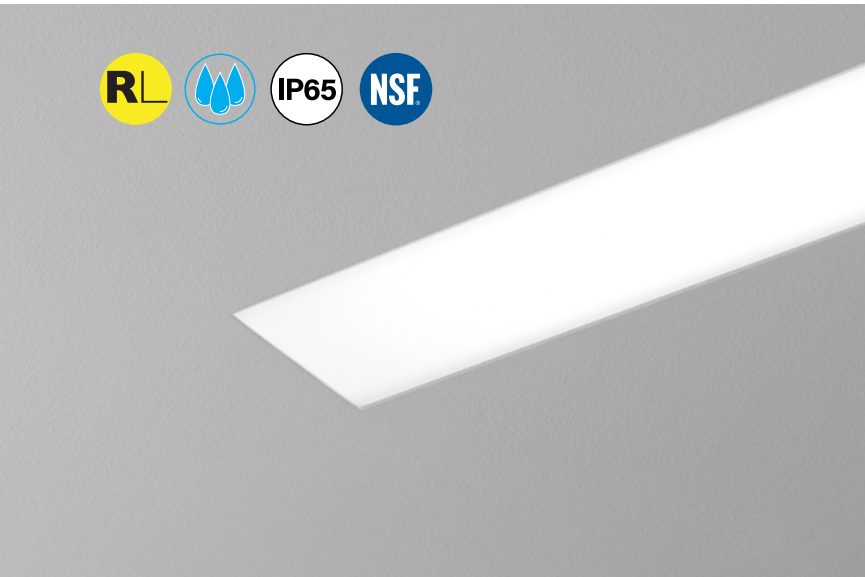
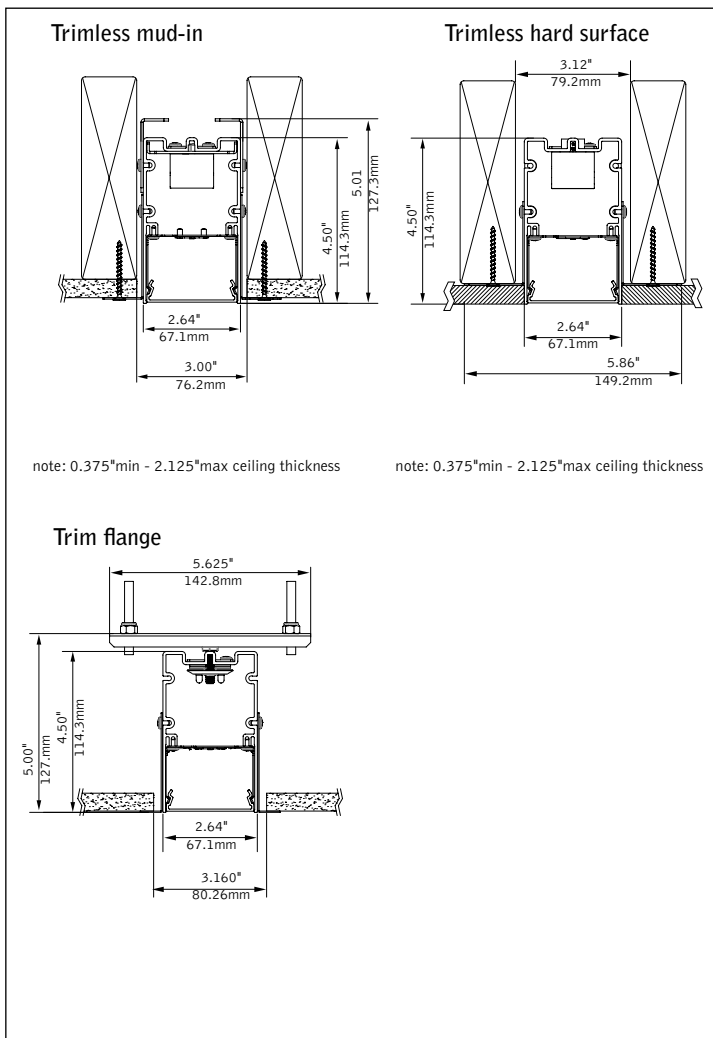


Seem[®] 2

LED - WET LOCATION



DIMENSIONAL DATA



FEATURES

Narrow extruded aluminum 2.5" aperture recessed slot LED suitable for wet location.

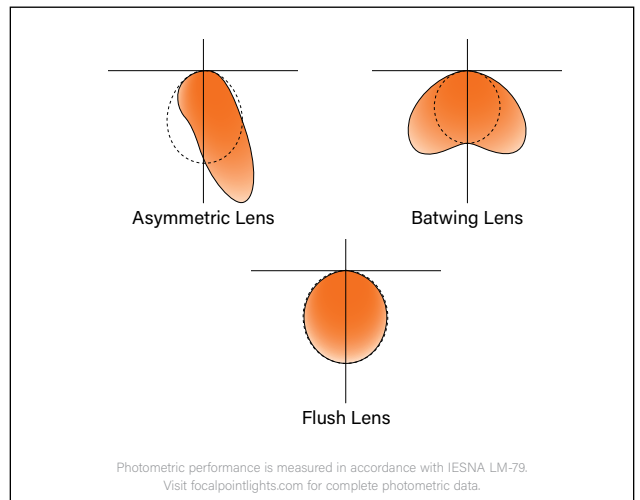
Integrates with ceiling for a clean, unobtrusive aesthetic.

Individual units and continuous runs in 1' increments.

Frosted acrylic lens provides uninterrupted illumination, without pixels or shadows.

LED position and lens material optimized to provide the perfect blend of high performance and visual comfort.

PERFORMANCE



fixture:

project:

SPECIFICATIONS

LED System

Proprietary linear LED module incorporates premium LEDs on a robust platform to achieve excellent thermal management. LEDs are placed to promote a uniform appearance. Available in 3000K, 3500K, 4000K with CRI>80, 3SDCM. LED modules and drivers are replaceable from below.

Construction

One piece extruded aluminum housing. 20 Ga. steel end caps. Housing for new construction applications. 2' unit weight: 5.1 lbs., 3' unit weight: 7.6 lbs., 4' unit weight: 10.1 lbs., 5' unit weight: 12.6 lbs.

Optic

Reflectors fabricated of 22 Ga. steel finished in High Reflectance White powder coat. Extruded acrylic lens .07" thick with satin finish, up to 8' continuous. .020" thick acrylic lens water shield included for continuous runs.

Electrical

Luminaires are pre-wired with factory installed branch circuit wiring and over-molded quick connects. Standard 120-277V constant current driver includes 0-10V analog dimming. Power factor > .9.

Emergency Battery

Output - 10 watts for 90 minutes. Maximum mounting height: 17.9ft.

Labels

UL and cUL Listed for wet location recessed ceiling applications in indoor and outdoor environments. Lutron Drivers not recommended for outdoor environments below 0°C. IP65 per IEC 60529 ensures that the enclosure is dust-tight and protected against jet streams of water from any direction without any harmful effects.

Finish

Polyester powder coat applied over a multi-stage pre-treatment.

Lumen Maintenance

Reported: L70 at >61,000 hours Calculated: L70 at 385,000 hours
 L90 at >61,000 hours L90 at 103,000 hours

Derived from EPA TM-21 calculator. Based on typical conditions, consult factory for additional data.

Reliability

At Focal Point, our products are designed to stand the test of time. Each luminaire is engineered using superior components, manufactured with the utmost care and rigorously tested. Contact us for reliability data.

Warranty

LED system rated for operation in ambient environments up to 35°C. 5-year limited warranty.

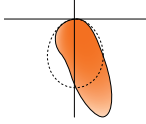
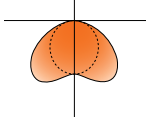
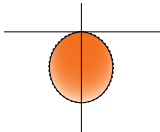
4' PERFORMANCE CHART

See page 3.

ORDERING

Luminaire Series	FSM2LWL
Seem 2 LED Wet Location	FSM2LWL
Shielding <small>(Ceiling applications only)</small>	
Asymmetric Lens	AS
Batwing Lens	BW
Flush Lens	FL
Lumen Output	
125 Lumens per foot <small>(4' minimum.)</small>	125LF
250 Lumens per foot	250LF
375 Lumens per foot	375LF
500 Lumens per foot	500LF
625 Lumens per foot	625LF
750 Lumens per foot	750LF
875 Lumens per foot	875LF
1000 Lumens per foot	1000LF
Color Temperature	
3000K, 80+ CRI or 90+ CRI	30K or 930K
3500K, 80+ CRI or 90+ CRI	35K or 935K
4000K, 80+ CRI or 90+ CRI	40K or 940K
Circuits & Zones	
1 Circuit, non-emergency	1C
Consult Ordering Guide on page 3 for multiple circuiting and zoning options	_C_Z_DL
Voltage	
120/277 UNV Volt	UNV
347 volt <small>(LD1 and L11 driver only)</small>	347V
Control System & Dimming Level	
0-10V - 1% Dimming	L11
0-10V - 10% Dimming	LD1
Lutron Hi-Lume EcoSystem (LDE1) - 1% Dimming	LH1
Ceiling Configuration	
Trim Flange Drywall	TF
Mud-in Trimless, 1/2" Drywall	XF1
Mud-in Trimless, 5/8" Drywall	XF2
Mud-in Trimless, any Drywall Thickness	XFF
Non-Drywall Hard Surface	XFN
Factory Options <small>(See Ordering Guide for ordering details for DC, EC, EM & ECD.)</small>	
Chicago Plenum	CP
Daylight Circuit	_DC
Emergency Circuit	_EC
Emergency Battery Pack†	_EM
Emergency Control Device†	_ECD
<small>†(4' minimum.)</small>	
6' New York City Flex Whip	FNY
6' Flex Whip	FW
IP65 Rated <small>(Individual units only, not available with Flex Whip)</small>	IP65
NSF Listed	NSF
Finish	WH
Matte White Housing	WH
Luminaire Length	ft
Specify luminaire/row length in 1' increments	_ft
<small>(2' minimum, lengths are nominal.)</small>	

4' PERFORMANCE CHART

Shielding		Lumens per Foot	Delivered Lumens	Tested System Watts	LPW
Asymmetric Lens 		125LF	561	5.7	99
		250LF	1172	9.6	122
		375LF	1784	13.9	128
		500LF	2390	18.3	130
		625LF	2989	23.7	126
		750LF	3582	28.4	126
		875LF	4167	33.4	125
		1000LF	4745	38.4	124
Batwing Lens 		125LF	538	5.7	95
		250LF	1124	9.6	117
		375LF	1711	13.9	123
		500LF	2293	18.3	125
		625LF	2867	23.7	121
		750LF	3436	28.4	121
		875LF	3997	33.4	120
		1000LF	4551	38.4	119
Flush Lens 		125LF	504	5.7	89
		250LF	1052	9.6	109
		375LF	1601	13.9	115
		500LF	2145	18.3	117
		625LF	2682	23.7	113
		750LF	3214	28.4	113
		875LF	3739	33.4	112
		1000LF	4257	38.4	111

Based on 3500k, 4' lengths. Lumen multiplier: Continuous runs = 0.93 Lumen output may vary +/- 5%. Actual wattage may vary +/- 5%.