

Seem[®] 4-LP

FSM4LP



FOCAL POINT[®]

BEFORE YOU BEGIN

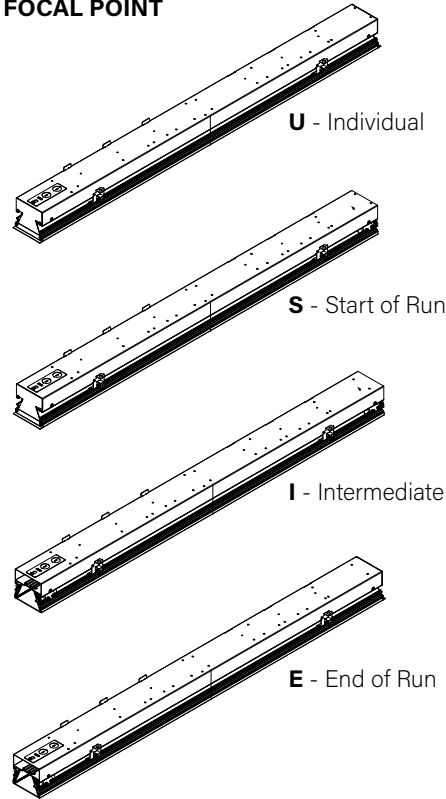
- Luminaires must be installed by a qualified electrician (check with local and national codes for proper installation).
- To prevent electrical shock, disconnect electrical supply before installation or servicing.
- Contractor is responsible for adequately reinforcing walls and/or ceilings to support fixture weight.
- Focal Point, LLC accepts no responsibility for inadequately reinforced walls and/or ceilings.
- The information contained in this drawing is the sole property of Focal Point, LLC. Any reproduction in part or whole without the written permission of Focal Point, LLC is prohibited.

INSTRUCTION KEY

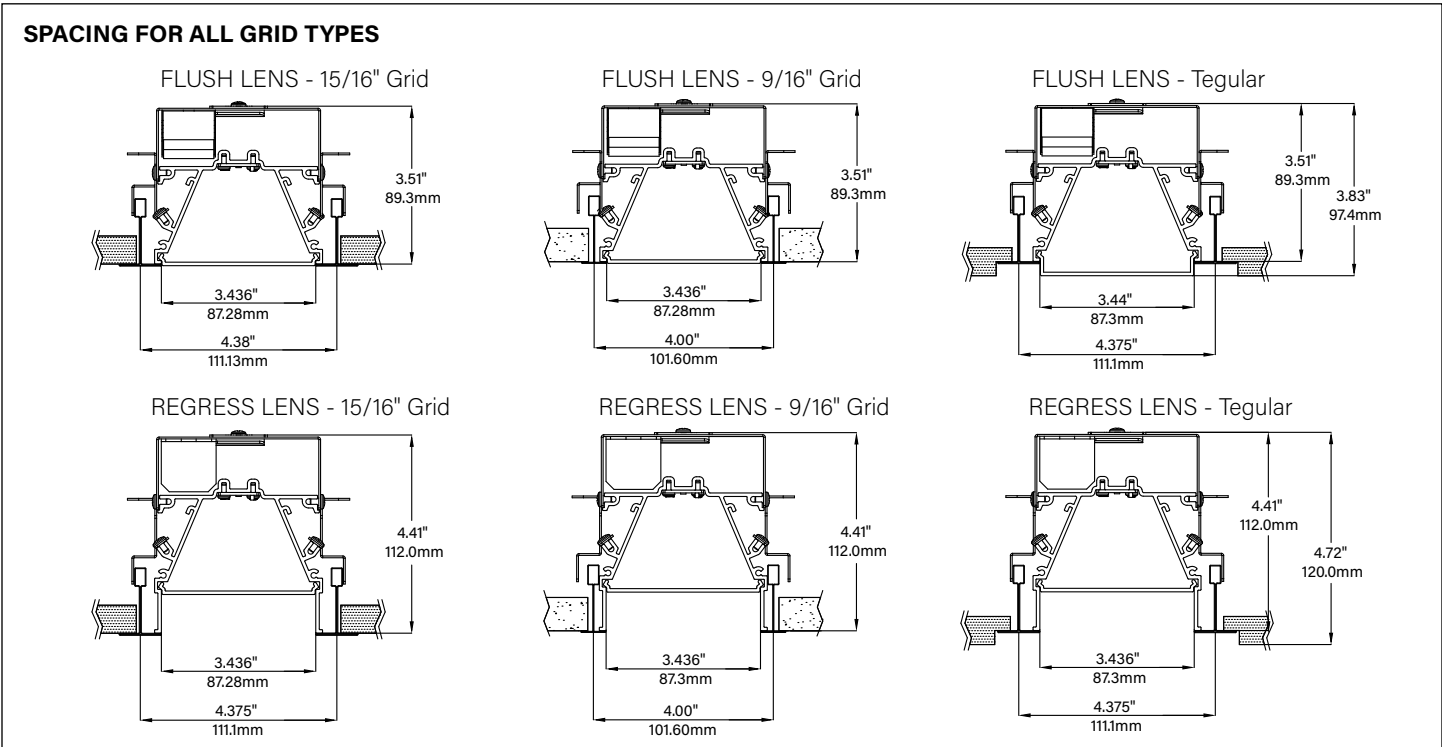
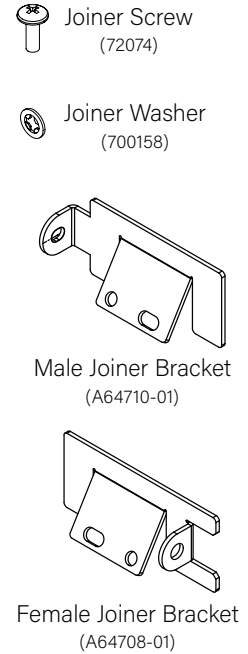
- ATTENTION
- POWER OFF
- SEE ADDITIONAL INSTRUCTIONS
- POWER ON

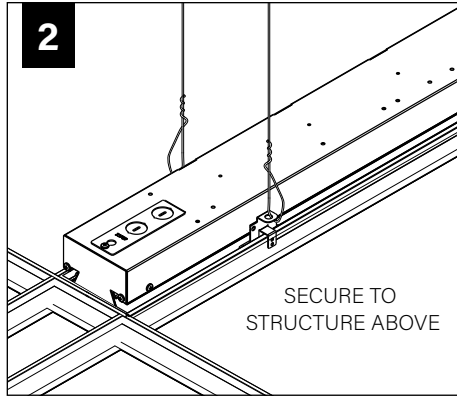
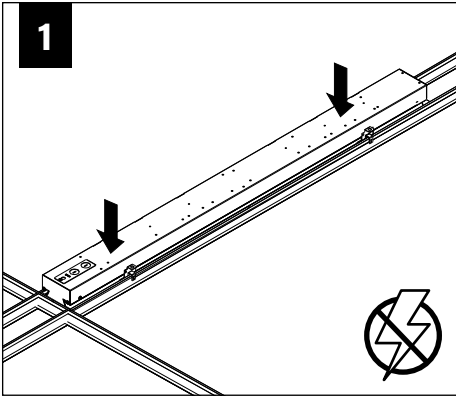
COMPONENT KEY

FOCAL POINT

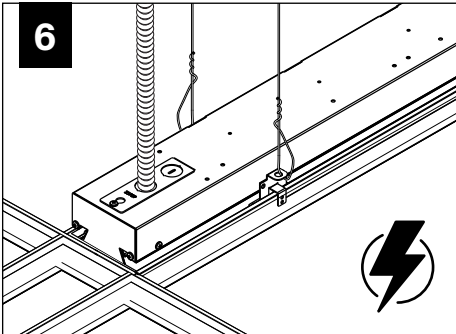
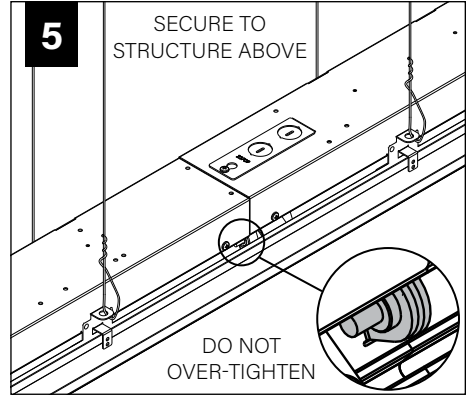
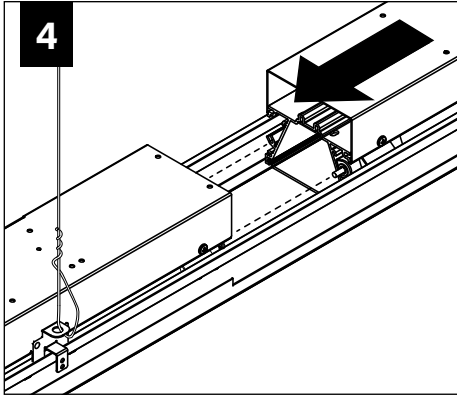
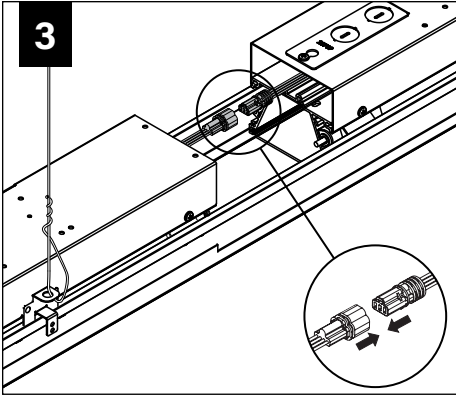


SHIPPED INSTALLED



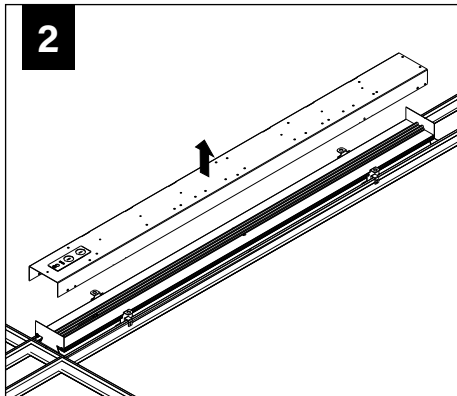
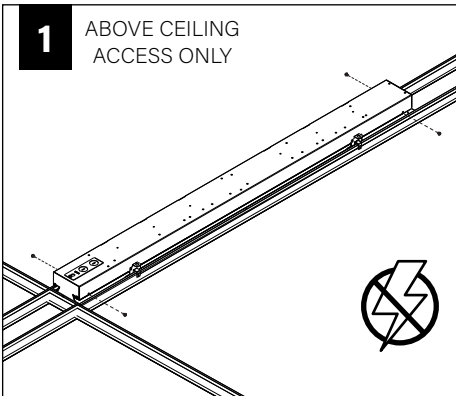


INDIVIDUAL INSTALLATIONS
SKIP TO STEP 6



MAKE ELECTRICAL CONNECTIONS

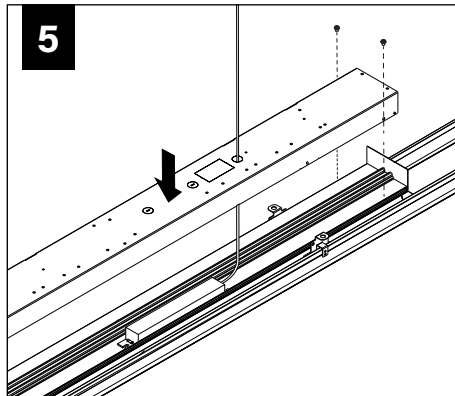
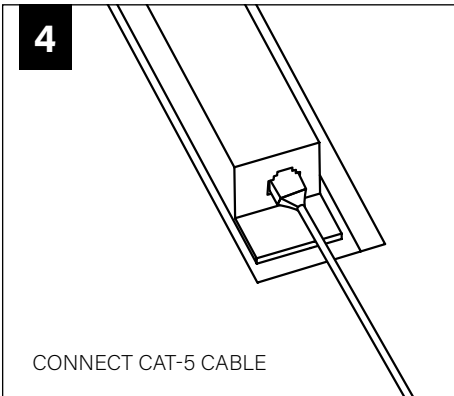
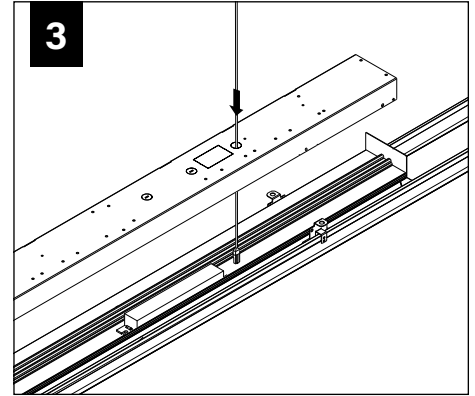
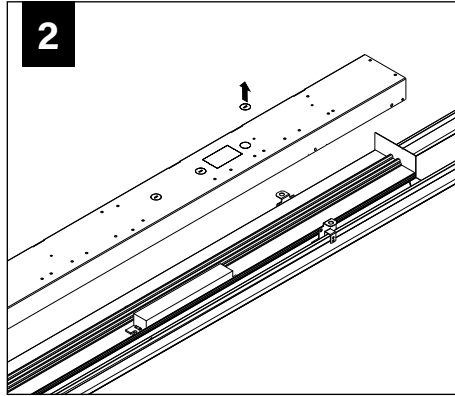
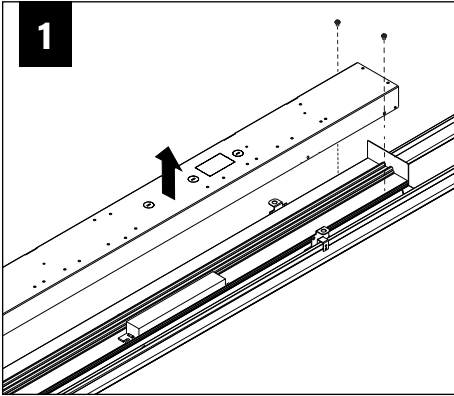
DRIVER SERVICE



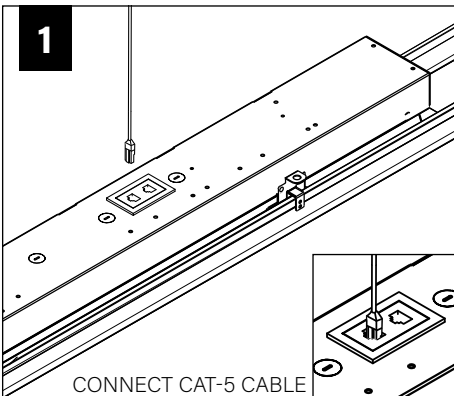
EMERGENCY

I
 SEE BATTERY MANUFACTURER INSTRUCTIONS
**EMERGENCY MAXIMUM MOUNTING HEIGHT:
 19.00'**

ACUITY nLIGHT)



WATTSTOPPER



HUBBELL NX

