

# Seem® 4 LED

Suspended | FSM4LS



FOCAL POINT®

## BEFORE YOU BEGIN

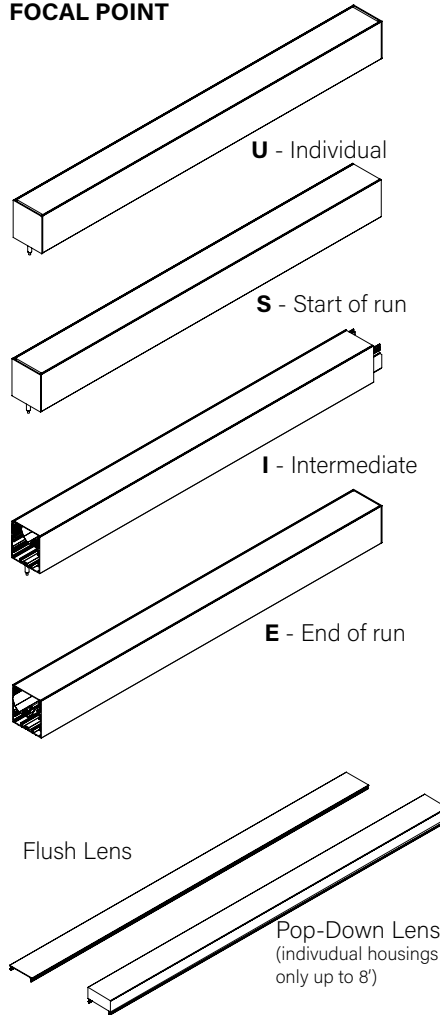
- Luminaires must be installed by a qualified electrician (check with local and national codes for proper installation).
- To prevent electrical shock, disconnect electrical supply before installation or servicing.
- Contractor is responsible for adequately reinforcing walls and/or ceilings to support fixture weight.
- Focal Point, LLC accepts no responsibility for inadequately reinforced walls and/or ceilings.
- The information contained in this drawing is the sole property of Focal Point, LLC. Any reproduction in part or whole without the written permission of Focal Point, LLC is prohibited.

## INSTRUCTION KEY

- ATTENTION**
- SEE ADDITIONAL INSTRUCTIONS**
- POWER OFF**
- POWER ON**

## COMPONENT KEY

### FOCAL POINT



### SHIPPED IN HARDWARE BAG



Cable Gripper (73014)  
& Nylon Nut (70044)

### PARTS SHIPPED INSTALLED



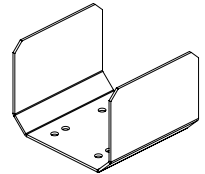
Reflector (70008)  
(6-32 X 5/16 Pan-head machine screw)



Joiner Pin  
(W5687)



Joiner Bracket  
(11920)

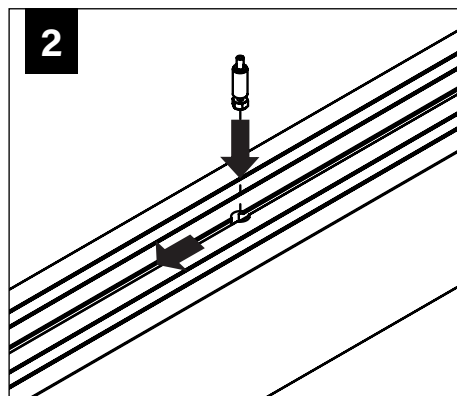


Joiner Bracket  
(11849)

## INDIVIDUAL INSTALLATIONS FOLLOW STEPS 1, 2, 5, 6, 14 & 15

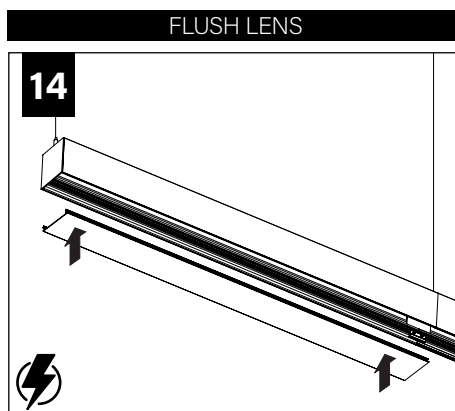
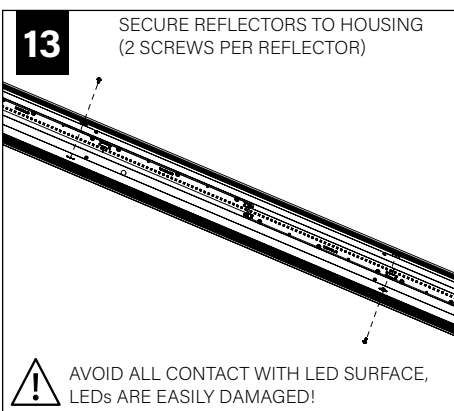
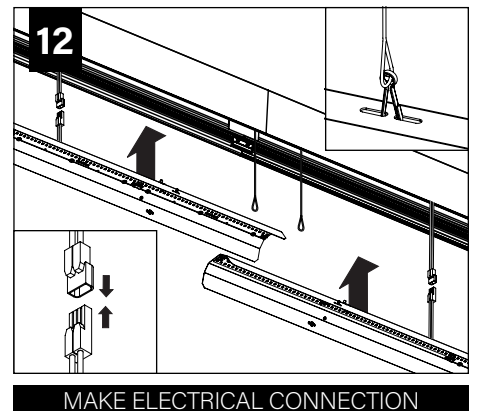
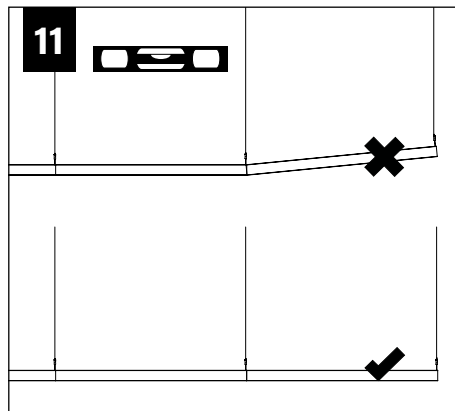
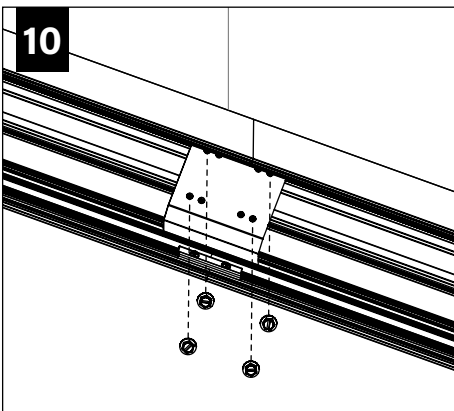
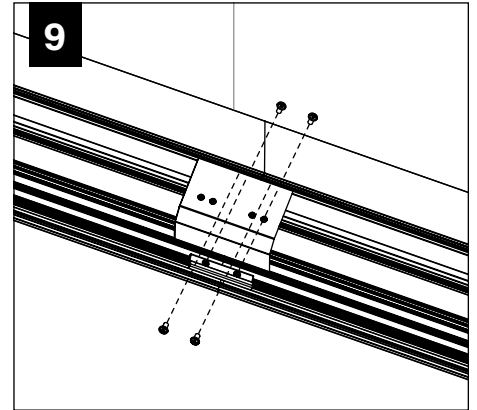
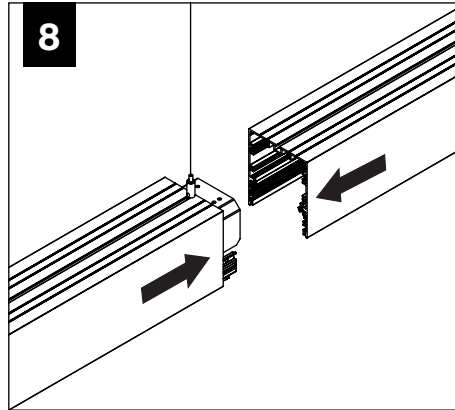
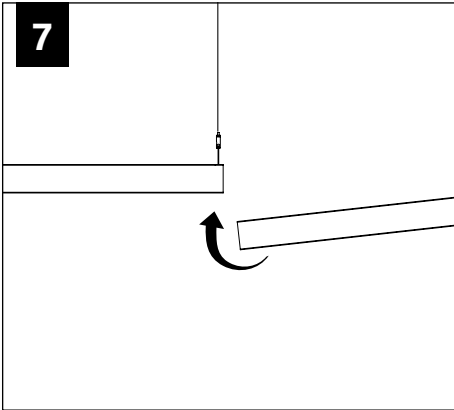
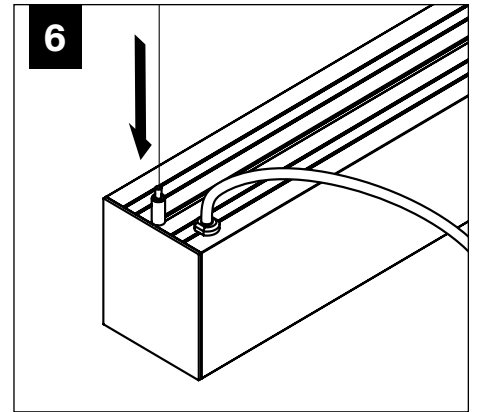
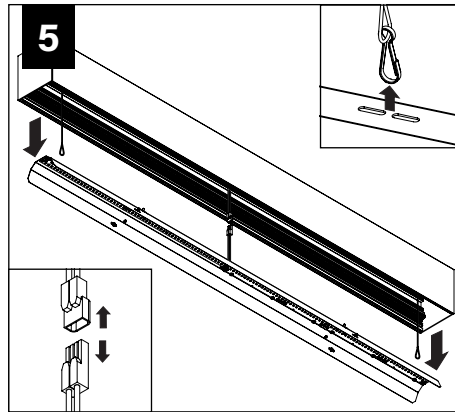
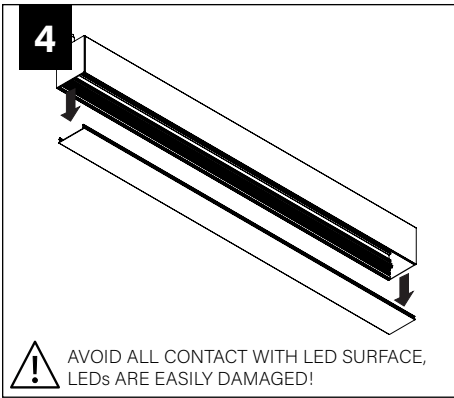
**1**

**FOLLOW FOCAL POINT INSTRUCTIONS FOR UNIVERSAL SUSPENSION SYSTEM ASSEMBLY. SEE IS0166**

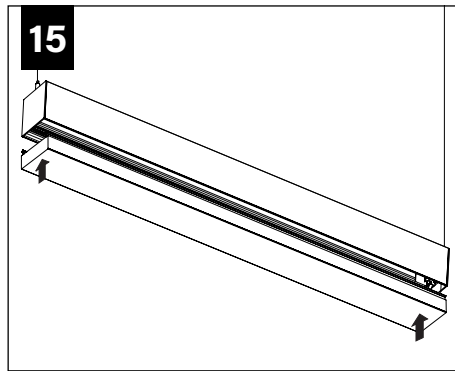
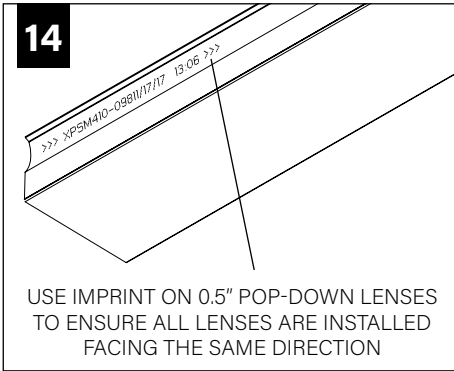


**3**

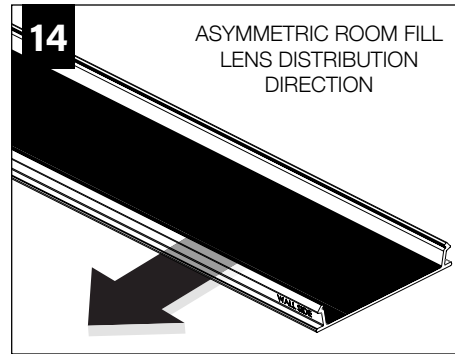
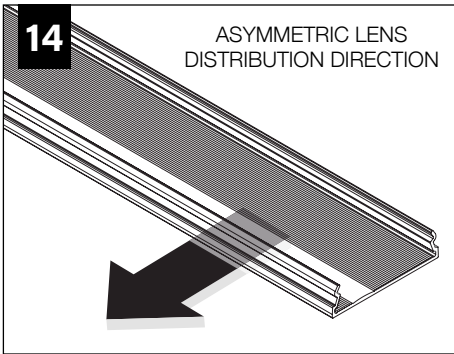
**TWO CABLE GRIPPERS EACH FOR INDIVIDUAL AND START, ONE FOR INTERMEDIATE AND END HOUSINGS.**



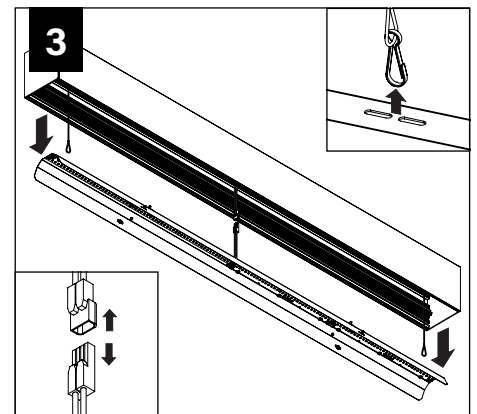
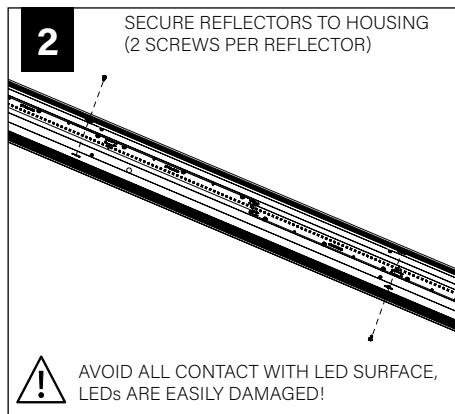
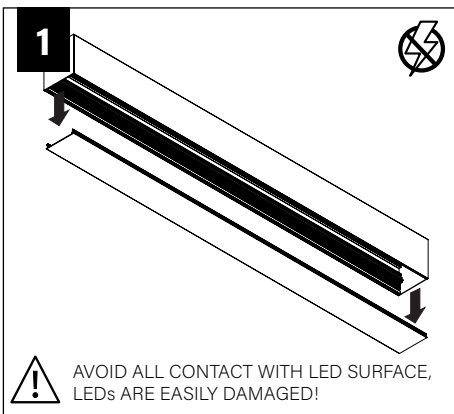
POP-DOWN LENS



ASYMMETRIC LENS



DRIVER SERVICE



EMERGENCY

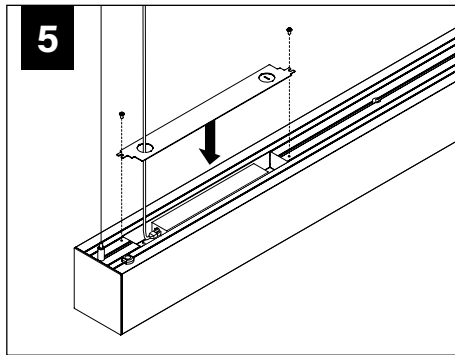
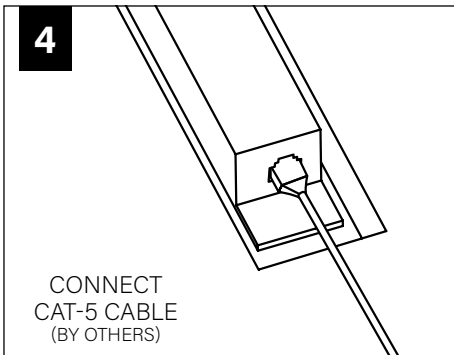
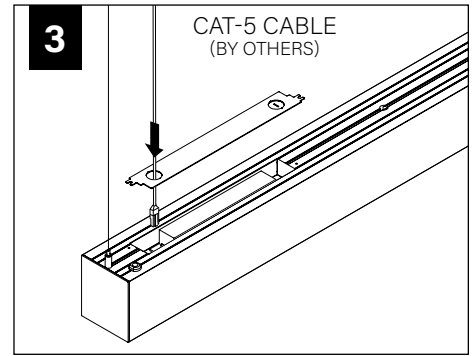
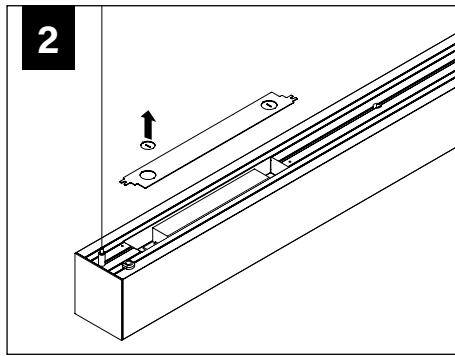
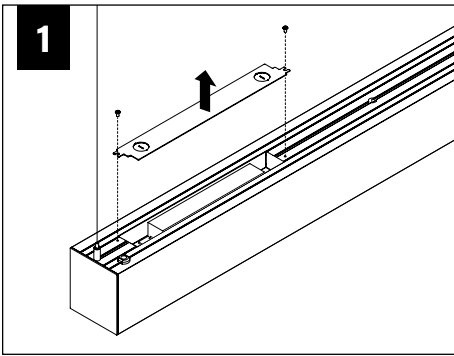


SEE BATTERY MANUFACTURER INSTRUCTIONS

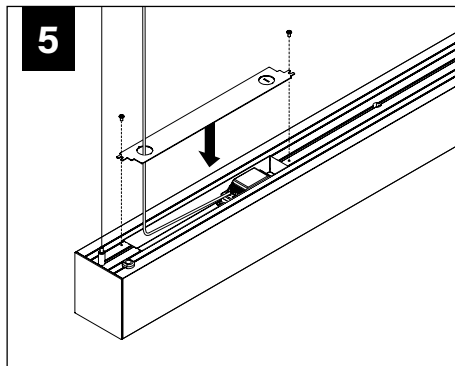
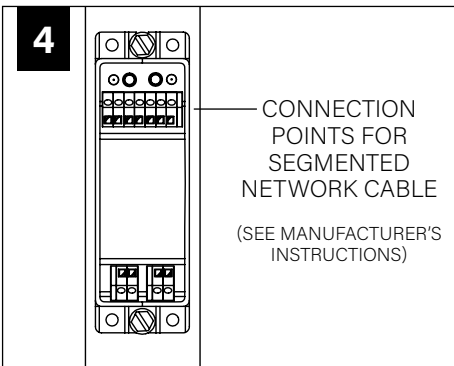
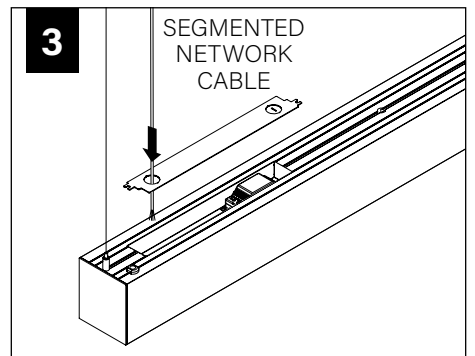
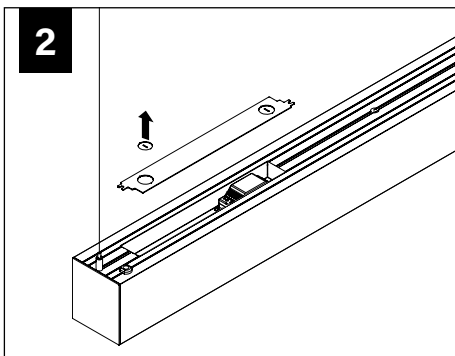
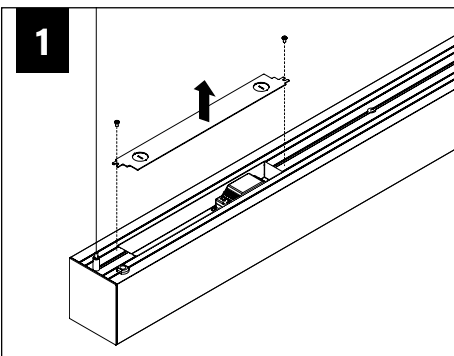
**EMERGENCY MAXIMUM MOUNTING HEIGHT:**

**19.00'**

**ACUITY nLIGHT**



**WATTSTOPPER**



**HUBBELL NX**

