

Seem[®] 4

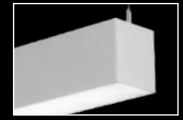
LED - WET LOCATION



end detail



perimeter companion



suspended companion

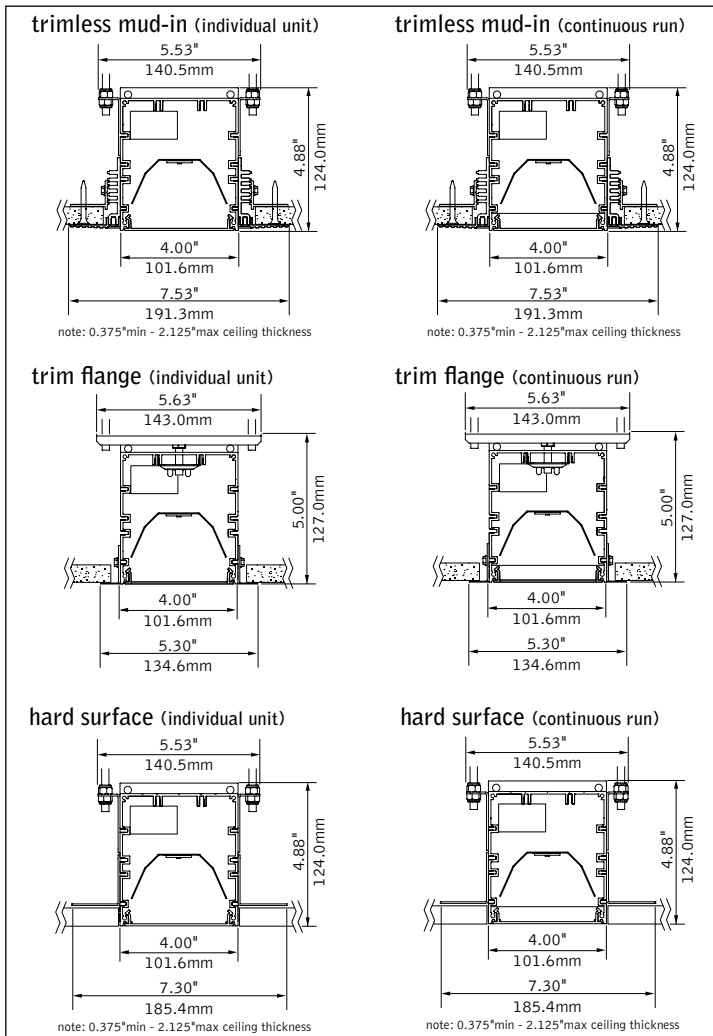


wall mount companion



wall to ceiling companion

DIMENSIONAL DATA



FEATURES

Narrow extruded aluminum 4" aperture recessed slot LED suitable for wet location.

Integrates with ceiling for a clean, unobtrusive aesthetic.

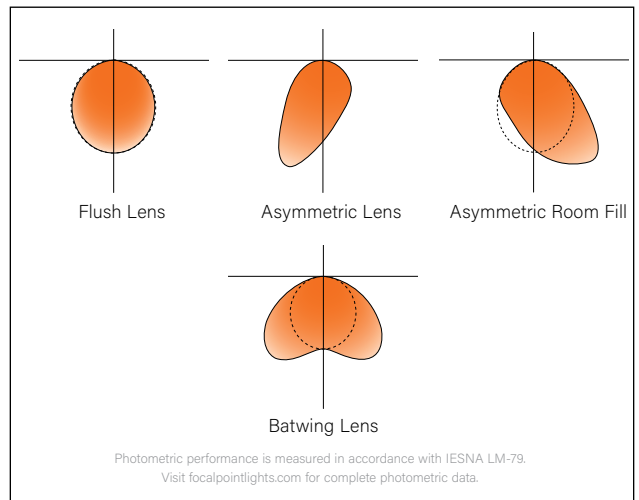
Individual units and continuous runs in 1' increments.

Available in flush, asymmetric, asymmetric room fill or batwing, lens.

LED position and lens material optimized to provide the perfect blend of high performance and visual comfort.

Tunable White: Supports human activity, well-being, and preferences with a light quality that evolves throughout the day.

PERFORMANCE



fixture:

project:

4' PERFORMANCE CHART

Lumen Output	Nominal Lumens	BW		FL		AS		AF	
		Tested System Watts	LPW	Tested System Watts	LPW	Tested System Watts	LPW	Tested System Watts	LPW
275LF	1100	8.8	125	9.1	121	8.5	130	8.6	128
375LF	1500	11.3	133	11.7	129	10.8	138	11	137
625LF	2500	19	131	19.9	126	18.3	137	18.5	135
875LF	3500	27	130	27.9	125	25.9	135	26.2	133
1000LF	4000	31.1	129	32.2	124	29.8	134	30.2	132
1125LF	4500	35.4	127	36.6	123	33.9	133	34.4	131
1250LF	5000	39.8	126	41.2	121	38.1	131	38.6	129

Based on 3500K, 80 CRI, 4' lengths. Lumen multiplier: 90+ CRI = 0.87. Lumen output may vary +/- 5%. Actual wattage may vary +/- 5%.

STANDARD WHITE

Luminaire Series	FSM4LWL
Seem 4 LED Wet Location	FSM4LWL
Shielding <small>(ceiling applications only)</small>	
Asymmetric Lens*	AS
Asymmetric Room Fill*	AF
Batwing Lens*	BW
Flush Satin Lens <small>(*individual units only)</small>	FL
Lumen Output	
275 Lumens per foot	275LF
375 Lumens per foot	375LF
625 Lumens per foot	625LF
875 Lumens per foot	875LF
1000 Lumens per foot	1000LF
1125 Lumens per foot	1125LF
1250 Lumens per foot	1250LF
Color Temperature	
3000K, 80+ CRI	30K
3500K, 80+ CRI	35K
4000K, 80+ CRI	40K
Circuits & Zones	
1 Circuit, non-emergency	1C
Consult Ordering Guide on page 3 for multiple circuiting and zoning options	_C_Z_DL
Voltage	UNV
120/277 UNV Volt	UNV
Control System & Dimming Level	
0-10V - 1% Dimming	L11
0-10V - 10% Dimming	LD1
Lutron Hi-Lume EcoSystem (LDE1) - 1% Dimming	LH1
Ceiling Configuration	
Trim Flange Drywall <small>(3' minimum with Lutron Drivers)</small>	TF
Trim Flange Wood <small>(3' minimum with Lutron Drivers)</small>	TFW
Mud-in Trimless, pre-set for 1/2" Drywall	XF1
Mud-in Trimless, pre-set for 5/8" Drywall	XF2
Mud-in Trimless, set thickness in field <small>(Mounting equipment assembled in field)</small>	XFF
Non-Drywall Hard Surface	XFN
Hard Surface, Wood	XFW
Factory Options <small>(See Ordering Guide on page 4 for ordering details for DC, EC, EM & ECD.)</small>	
Chicago Plenum	CP
Daylight Circuit	_DC
Emergency Circuit	_EC
Emergency Battery Pack ¹	_EM
Emergency Control Device ¹	_ECD
¹ (4' minimum, 120/277 Volt only. EM or ECD not available at corners.)	
6' New York City Flex Whip (120V)	FNY1
6' New York City Flex Whip (277V)	FNY2
6' Flex Whip	FW
IP65 Rated <small>(individual units only)</small>	IP65
NSF Listed	NSF
Finish	WH
Matte White Housing	WH
Luminaire Length Specify luminaire/row length in 1' increments <small>(2' minimum, lengths are nominal. Housing length is 1" shorter than specified.)</small>	X'

fixture:

project:

TW 4' PERFORMANCE CHART (INDIVIDUAL)

Lumen Output	Nominal Lumens	Tested System Watts	LPW	
			BW	FL
275LF	1100	13.30	87.3	83.2
375LF	1500	17.34	90.8	86.5
625LF	2500	27.84	94.0	89.5
875LF	3500	37.22	98.9	94.2
1000LF	4000	42.39	99.2	94.4
1125LF	4500	50.27	93.9	89.4

Based on 2700K, 80CRI, 4' lengths. Lumen output may vary +/- 5%. Actual wattage may vary +/- 5%.

Lumen Multipliers

CRI	Multiplier
80+	1.00
90+	0.89

Wattage Multipliers

CCT	Multiplier
2700K	1.00
3000K	0.92
3500K	0.88
4000K	0.86
5000K	0.85
5700K	0.87
6500K	0.90



TUNABLE WHITE

Luminaire Series	FSM4LWL
Seem 4 LED Wet Location	FSM4LWL
Shielding <small>(ceiling applications only)</small>	
Batwing Lens	BW
<small>(individual units only)</small>	
Flush Satin Lens	FL
Lumen Output	
275 Lumens per foot <small>(3' min. with D1TW)</small>	275LF
375 Lumens per foot	375LF
625 Lumens per foot	625LF
875 Lumens per foot	875LF
1000 Lumens per foot	1000LF
1125 Lumens per foot	1125LF
Color Temperature	
Tunable White: 2700-6500K, 80+ CRI	2765T
Tunable White: 2700-6500K, 90+ CRI	92765T
Circuits & Zones	
1 Circuit, non-emergency	1C
Consult Ordering Guide on page 3 for multiple circuiting and zoning options	_C_Z_DL
Voltage	UNV
120/277 UNV Volt	UNV
Control System & Dimming Level	D1TW
DALI - 1% Dimming <small>(Default driver offers DT6 control. It requires two addresses, one for intensity & one for CCT tuning. Consult factory for DT8. Extended lead time applies.)</small>	D1TW
Ceiling Configuration	
Trim Flange Drywall <small>(3' minimum with Lutron)</small>	TF
Trim Flange Wood <small>(3' minimum with Lutron)</small>	TFW
Mud-in Trimless, pre-set for 1/2" Drywall	XF1
Mud-in Trimless, pre-set for 5/8" Drywall	XF2
Mud-in Trimless, set thickness in field <small>(Mounting equipment assembled in field)</small>	XFF
Non-Drywall Hard Surface	XFN
Hard Surface, Wood	XFW
Factory Options <small>(See page 4 for ordering details for DC, EC, EM & ECD.)</small>	
Chicago Plenum	CP
Daylight Circuit	_DC
Emergency Circuit	_EC
Emergency Battery Pack [†]	_EM
Emergency Control Device [†] <small>†(consult factory.)</small>	_ECD
6' New York City Flex Whip (120V)	FNY1
6' New York City Flex Whip (277V)	FNY2
6' Flex Whip	FW
IP65 Rated <small>(individual units only)</small>	IP65
NSF Listed	NSF
Finish	WH
Matte White Housing	WH
Luminaire Length Specify luminaire/row length in 1' increments <small>(2' minimum, lengths are nominal. Housing length is 1" shorter than specified.)</small>	X'

Ordering Guide



Direct Only Linear Circuitry, Zones & Factory Options

HOW TO USE THIS GUIDE

Fill out the worksheet on the following page to specify your requirements for circuitry, zones, and factory options.

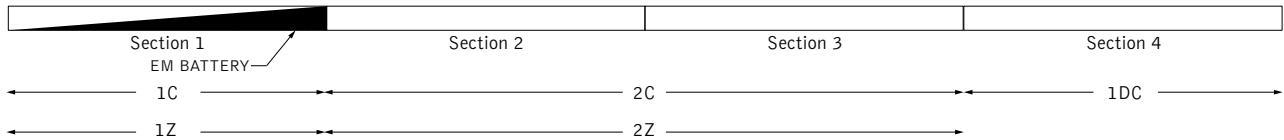
Refer to the run chart for standard run configurations, consult factory for custom configurations.

Complete the Totals / Ordering Codes at the bottom of the worksheet and add to your ordering logic on the cut sheet.

Submit the worksheet along with your order.

TOTAL RUN LENGTH: <u>32ft</u>		JOB NAME: _____			FIXTURE TYPE: _____			
EXAMPLE	HOUSING SECTION	SECTION LENGTH	SHARED ELECTRICAL FEED, NORMAL POWER			FACTORY OPTIONS		
			SWITCHING CIRCUIT	DIMMING ZONE	DAYLIGHT ZONE	SEPARATE ELECTRICAL FEEDS		EM
						DAYLIGHT CIRCUIT	EMERGENCY CIRCUIT	
1	8	1C	1Z					1EM
2	8	2C	2Z					
3	8	2C	2Z					
4	8				1DC			
Totals / Ordering Codes		2C	2Z		1DC			1EM

ORDERING: FSM4L-FL-625LF-35K- **2C2Z** -UNV-LD1-G2- **1DC-1EM** -WH-32ft



KEY	
C = Switching Circuit Switched Hot / Shared Neutral	DC = Daylight Circuit Switched Hot / Separate Neutral
Z = Dimming Zone Dimming Control Wires	EC = Emergency Circuit Switched Hot / Separate Neutral
DL = Daylight Zone Daylight Dimming Control Wires	EM = Emergency Battery Unswitched Hot / Shared Neutral
	ECD = Emergency Control Device Unswitched Hot / Separate Neutral

DEFAULTS

- Zones and Factory Options illuminate entire sections from 4' to 8' in length.
- One shared or isolated circuit and zone required per housing section.
- Limit of one EM or ECD per housing section.
- Additional electrical feed required for applications greater than three shared circuits and zones.
- Each DC, EC and ECD require an additional electrical feed.
- ECD not available in the same housing section as EC.
- Longer lead times and additional pricing may apply for custom run configurations.

CUSTOM LENGTHS

- If partial illumination of emergency or daylight section is required, indicate in ordering guide and add "partial illumination" in Order Notes. Drawing required.
- Engineering validation required, longer lead times may apply.

Ordering Guide Worksheet

Linear Circuitry, Zones & Factory Options



FOCAL POINT®

TOTAL RUN LENGTH: _____		JOB NAME: _____			FIXTURE TYPE: _____			
HOUSING SECTION	SECTION LENGTH	SHARED ELECTRICAL FEED, NORMAL POWER			FACTORY OPTIONS			EM
		SWITCHING CIRCUIT	DIMMING ZONE	DAYLIGHT ZONE	SEPARATE ELECTRICAL FEEDS			
DAYLIGHT CIRCUIT	EMERGENCY CIRCUIT				ECD			
1								
2								
3								
4								
5								
6								
7								
8								
9								
10								
11								
12								
13								
14								
15								
16								
17								
18								
19								
20								
Totals / Ordering Codes								

WORKSHEET

Combine to create Circuits & Zones ordering code

Enter as individual Factory Options

RUN CHART

Run length (ft)	Housing Configuration Section Lengths	Run length (ft)	Housing Configuration Section Lengths	Run length (ft)	Housing Configuration Section Lengths	Run length (ft)	Housing Configuration Section Lengths
9	5 + 4	21	8 + 8 + 5	33	8 + 8 + 8 + 5 + 4	45	8 + 8 + 8 + 8 + 8 + 5
10	6 + 4	22	8 + 8 + 6	34	8 + 8 + 8 + 6 + 4	46	8 + 8 + 8 + 8 + 8 + 6
11	7 + 4	23	8 + 8 + 7	35	8 + 8 + 8 + 7 + 4	47	8 + 8 + 8 + 8 + 8 + 7
12	8 + 4	24	8 + 8 + 8	36	8 + 8 + 8 + 8 + 4	48	8 + 8 + 8 + 8 + 8 + 8
13	8 + 5	25	8 + 8 + 5 + 4	37	8 + 8 + 8 + 8 + 5		
14	8 + 6	26	8 + 8 + 6 + 4	38	8 + 8 + 8 + 8 + 6		
15	8 + 7	27	8 + 8 + 7 + 4	39	8 + 8 + 8 + 8 + 7		
16	8 + 8	28	8 + 8 + 8 + 4	40	8 + 8 + 8 + 8 + 8		
17	8 + 5 + 4	29	8 + 8 + 8 + 5	41	8 + 8 + 8 + 8 + 5 + 4		
18	8 + 6 + 4	30	8 + 8 + 8 + 6	42	8 + 8 + 8 + 8 + 6 + 4		
19	8 + 7 + 4	31	8 + 8 + 8 + 7	43	8 + 8 + 8 + 8 + 7 + 4		
20	8 + 8 + 4	32	8 + 8 + 8 + 8	44	8 + 8 + 8 + 8 + 8 + 4		

Standard run configurations, consult factory for custom configurations.