

# Seem® 4 LED

Grid Ceiling | FSM4L-G



FOCAL POINT®

## BEFORE YOU BEGIN

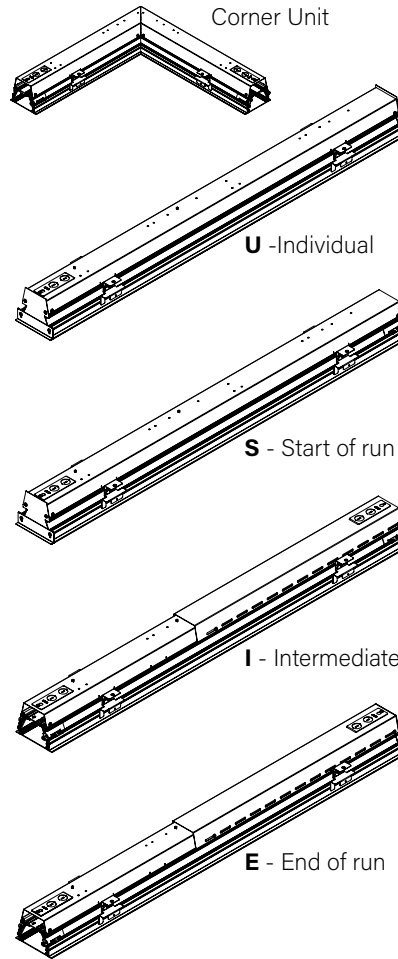
- Luminaires must be installed by a qualified electrician (check with local and national codes for proper installation).
- To prevent electrical shock, disconnect electrical supply before installation or servicing.
- Contractor is responsible for adequately reinforcing walls and/or ceilings to support fixture weight.
- Focal Point, LLC accepts no responsibility for inadequately reinforced walls and/or ceilings.
- The information contained in this drawing is the sole property of Focal Point, LLC. Any reproduction in part or whole without the written permission of Focal Point, LLC is prohibited.

## INSTRUCTION KEY

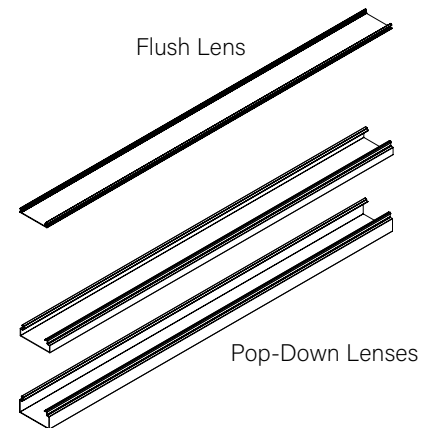
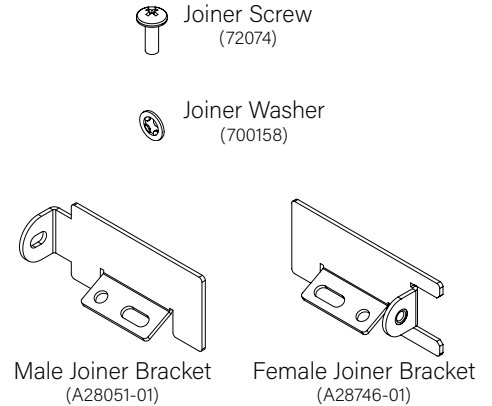
- ATTENTION
- SEE ADDITIONAL INSTRUCTIONS
- POWER OFF
- POWER ON

## COMPONENT KEY

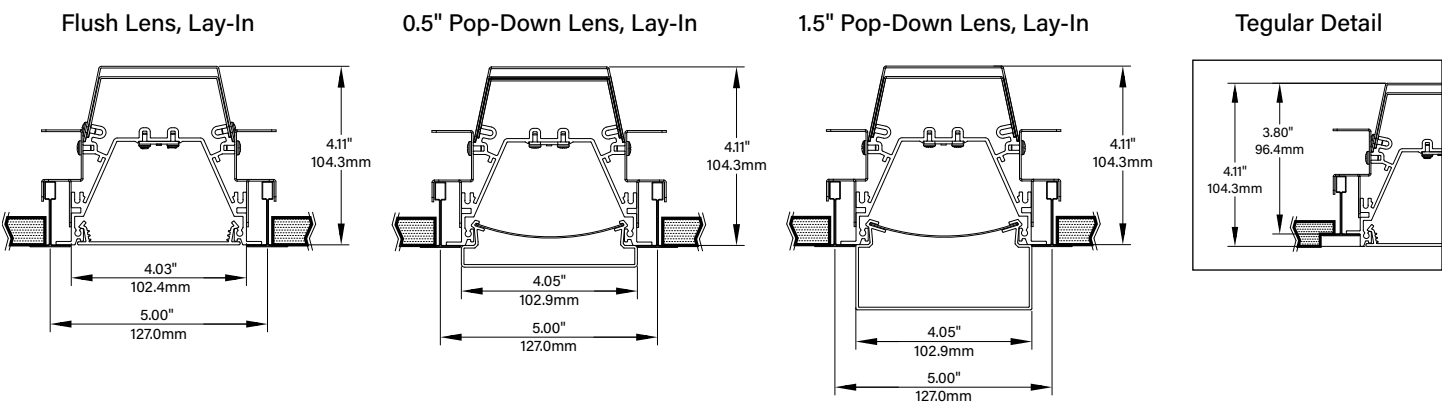
### FOCAL POINT



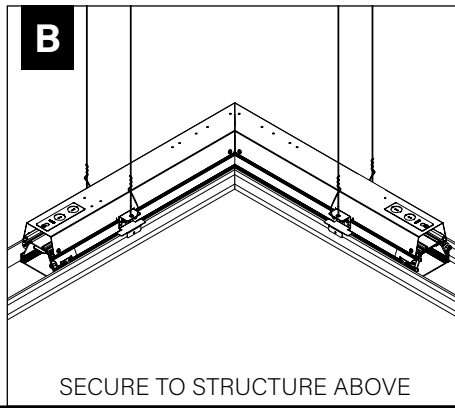
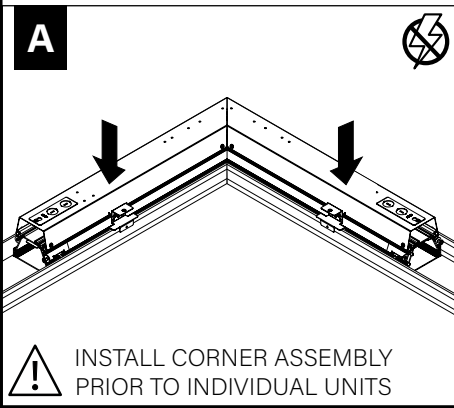
### PARTS SHIPPED INSTALLED



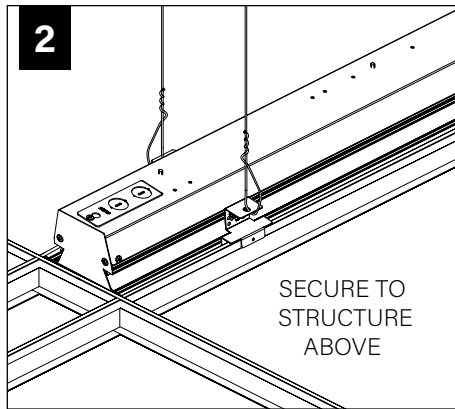
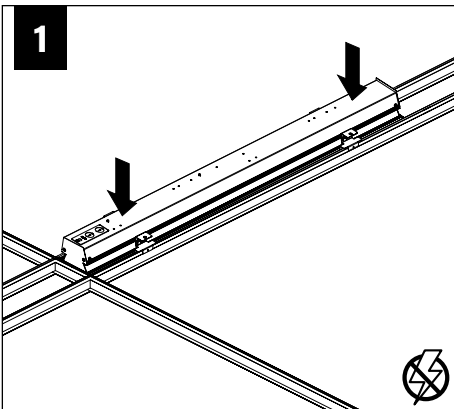
## GRID MOUNT ONLY - SPACING FOR ALL GRID TYPES



# CORNER ASSEMBLY

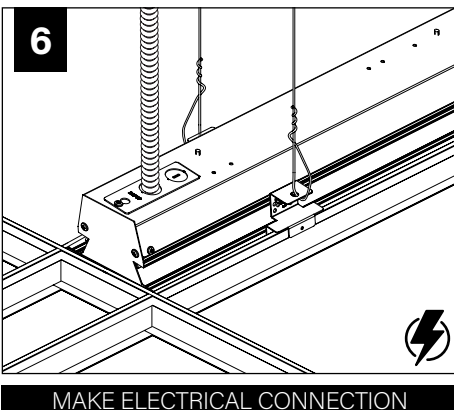
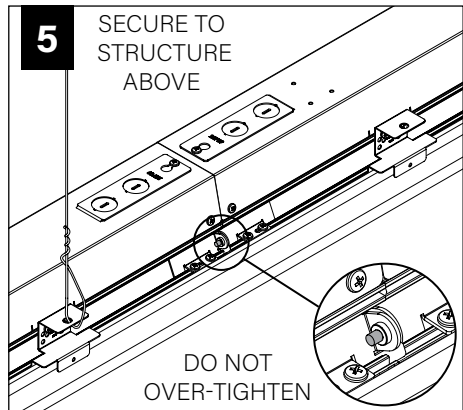
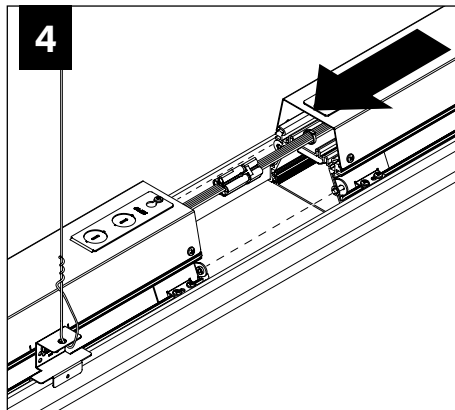
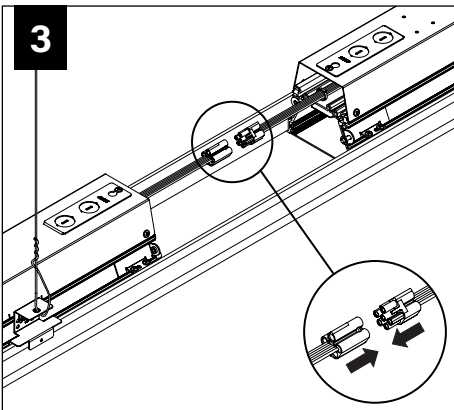


JOINING INSTALLATIONS  
**SKIP TO STEP 3**



INDIVIDUAL INSTALLATIONS  
**SKIP TO STEP 6**

NOTE: INDIVIDUAL UNITS CANNOT BE JOINED IN THE FIELD.



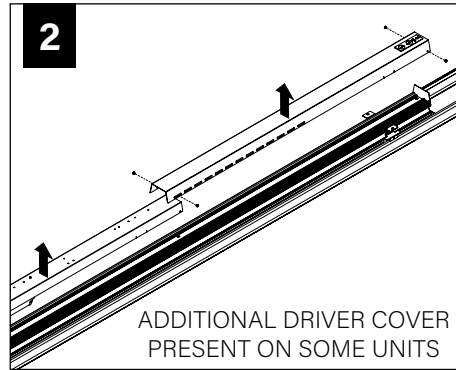
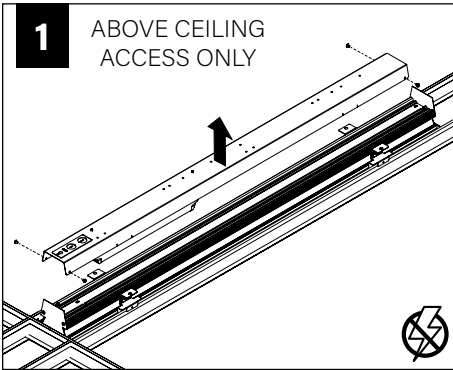
**EMERGENCY**

**I**

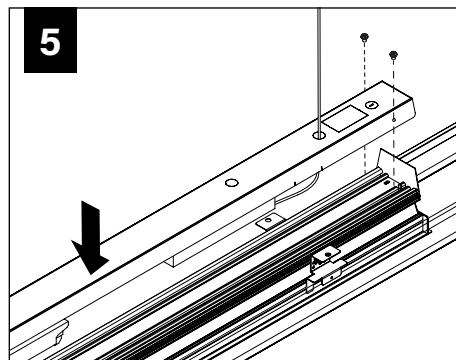
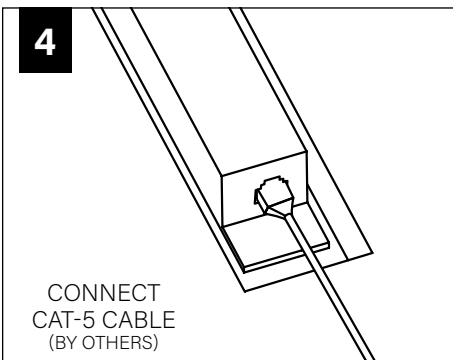
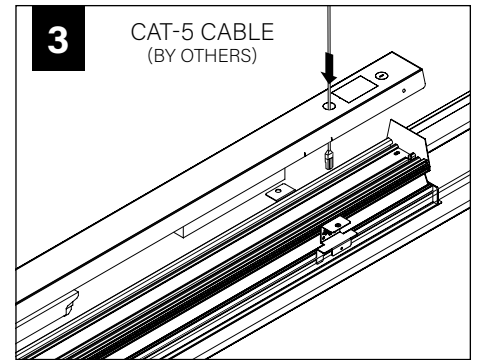
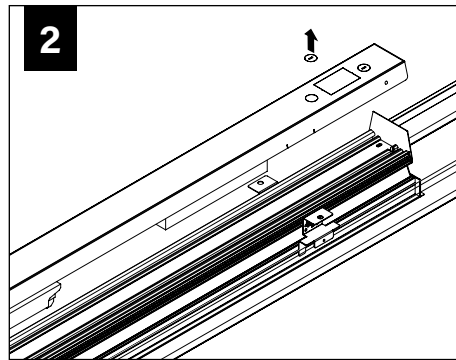
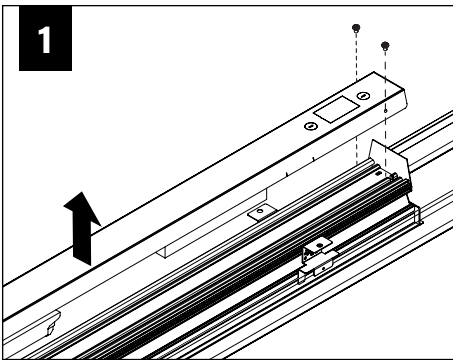
SEE BATTERY MANUFACTURER INSTRUCTIONS

EMERGENCY MAXIMUM MOUNTING HEIGHT:  
 FLUSH LENS: 19.00'  
 1/2" POP-DOWN LENS: 16.00'

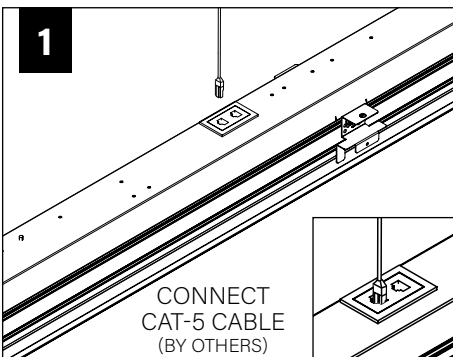
## DRIVER SERVICE



## ACUITY nLIGHT



## WATTSTOPPER



## HUBBELL NX

