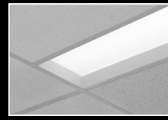
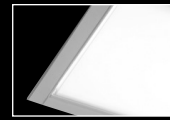


Seem® 6 Grid Ceiling

LED



regressed lens

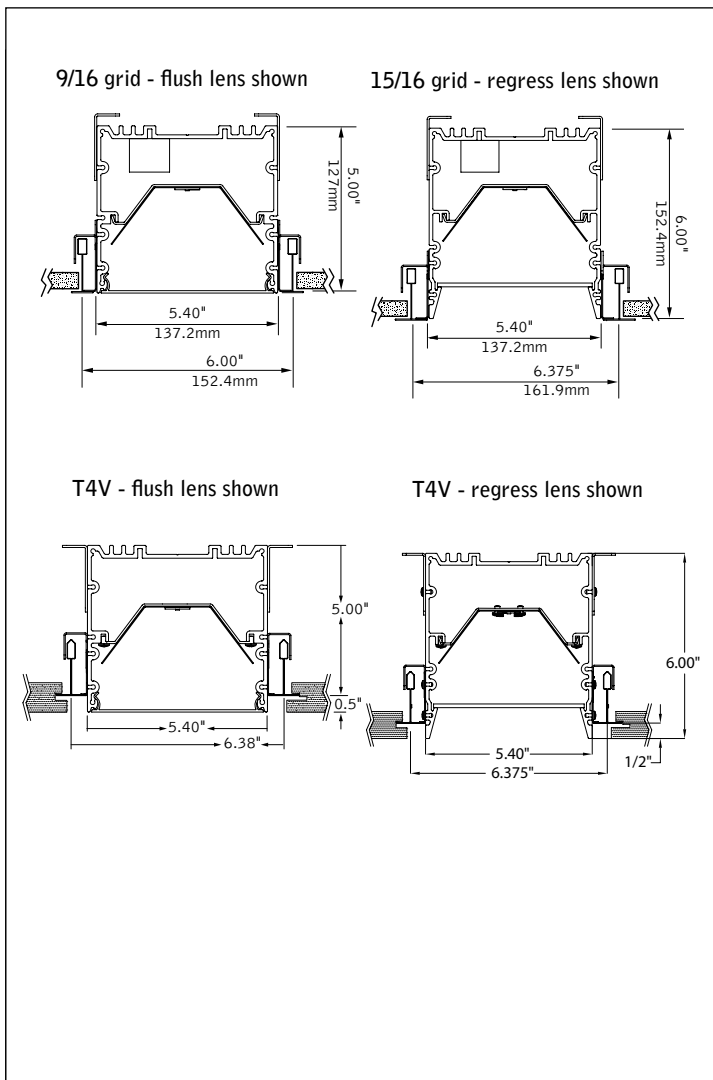


end detail



drywall/hard ceiling companion

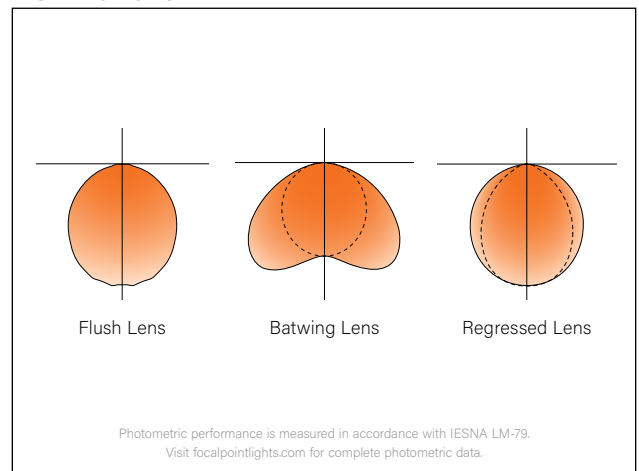
DIMENSIONAL DATA



FEATURES

- Narrow extruded aluminum 6" aperture recessed slot LED.
- Integrates with ceiling for a clean, unobtrusive aesthetic.
- Compatible with common pre-engineered grid ceiling systems requiring luminaires fitting into a 6" slot.
- Individual units and continuous runs in 1" increments.
- Frosted acrylic lens provides uninterrupted illumination, without pixels or shadows.
- LED position and lens material optimized to provide the perfect blend of high performance and visual comfort.
- Connected Solutions: Integrates with wired and wireless building lighting control systems.
- PoE compatible: Integrates with Power over Ethernet lighting systems via standard, low-voltage wires.

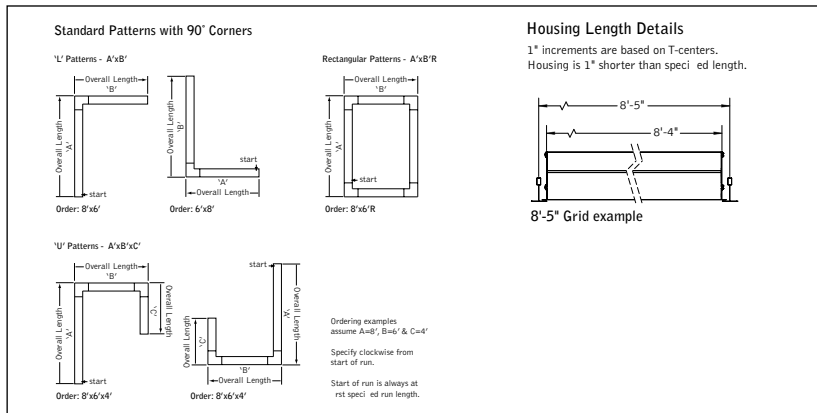
DISTRIBUTIONS



fixture:

project:

DETAILS



SPECIFICATIONS

LED System

Proprietary linear LED module incorporates premium LEDs on a robust platform to achieve excellent thermal management. LEDs are placed to promote a uniform appearance. Available in 2700K, 3000K, 3500K or 4000K with CRI>80 or CRI>90, 3 SDCM. 3500K and 4000K with CRI>90 have a cyanosis observation index (COI) of 3.3 or less. LED modules and drivers are replaceable from below.

Construction

One piece extruded aluminum housing, 20 Ga. steel end caps. Housing for new construction applications. 2' unit weight: 18 lbs., 3' unit weight: 24 lbs., 4' unit weight: 30 lbs., 5' unit weight: 36 lbs.

Optic

Reflectors fabricated of 22 Ga. steel finished in High Reflectance White powder coat. Extruded acrylic lens .085" thick with satin finish, up to 8' continuous.

Electrical

Luminaires are pre-wired with factory installed branch circuit wiring and over-molded quick connects. Standard 120-277V constant current driver includes 0-10V analog dimming. Dimming range 100% to 10%. Power factor > .9. PoE compatible: Integrates with Power over Ethernet lighting systems via standard, low-voltage wires. PoE runs require an independent PoE node and power feed for each luminaire section.

Emergency

Emergency Battery output - 10 watts for 90 minutes. Maximum mounting height: 18.8ft. Emergency Circuit with Connected Solutions (DLM1, LMFS1, LMFS1, NLT1, ENL1, CLM1, NXE1, WLXP) shipped standard with leads to connect UL924 compliant device, by others.

Labels

UL and cUL listed. Suitable for Dry or Damp Locations, indoor use only.

Finishing

Polyester powder coat applied over a multi-stage pre-treatment.

Lumen Maintenance

Reported: L70 > 61,000 hours Calculated: L70 at > 350,000 hours
L90 > 61,000 hours L90 at > 90,000 hours

(Derived from EPA TM-21 calculator. Based on typical conditions, consult factory for additional data.)

Reliability

At Focal Point, our products are designed to stand the test of time. Each luminaire is engineered using superior components, manufactured with the utmost care and rigorously tested. Contact us for reliability data.

Warranty

LED system rated for operation in ambient environments up to 25°C. 5-year limited warranty.

4' PERFORMANCE CHART

Lumen Output per foot	Tested System Watts	Delivered Lumens LPW				Tested System Watts	Delivered Lumens LPW			
		FL		BW			SR		SRXP	
375LF	18.2	1737	95	1939	106	17.2	1675	97	1855	108
625LF	31.2	2949	94	3291	105	29.4	2872	98	3180	108
875LF	44.2	4066	92	4539	103	41.7	4030	97	4462	107
1000LF	50.8	4636	91	5175	102	47.9	4531	95	5017	105
1125LF	53.6	4874	91	5441	101	52.2	4867	93	5389	103
1250LF	60.8	5412	89	6041	99	57.3	5407	94	5987	104

Based on 3500K, 80 CRI, 4' lengths. Lumen multipliers: . Lumen output may vary +/- 5%. Actual wattage may vary +/- 5%.

ORDERING

Luminaire Series

Seem 6 LED **FSM6L**

Shielding

Batwing Lens **BW**

Flush Lens **FL**

Regressed Lens* **SR**

Regressed High Performance Lens* **SRXP**

Lumen Output

375 Lumens per foot **375LF**

625 Lumens per foot **625LF**

875 Lumens per foot **875LF**

1000 Lumens per foot **1000LF**

1125 Lumens per foot **1125LF**

1250 Lumens per foot **1250LF**

Color Temperature

2700K, 80+ CRI **or 90+ CRI** **27K or 927K**

3000K, 80+ CRI **or 90+ CRI** **30K or 930K**

3500K, 80+ CRI **or 90+ CRI** **35K or 935K**

4000K, 80+ CRI **or 90+ CRI** **40K or 940K**

Circuits & Zones

1 Circuit, non-emergency **1C**

Consult Ordering Guide on page 4 for multiple circuiting and zoning options **_C_Z_DL**

Voltage

120/277 UNV Volt **UNV**

Low voltage **LV**

Control System & Dimming Level

0-10V - 10% Dimming **LD1**

0-10V - 1% Dimming **L11**

Low Voltage, PoE compatible **LVN**

LuTron Hi-Lume EcoSystem (LDE1) - 1% Dimming **LH1**

DALI 1% Dimming **D11**

Wattstopper DLM - 1% Dimming** **DLM1**

Wattstopper Fixture Sensor** **LMFS1**

Low Density - 1% Dimming **LMFSD**

High Density - 1% Dimming **LMFSD**

Acuity nLight - 1% Dimming** **NLT1**

Enlighted Smart Sensor - 1% Dimming** **ENL1**

Encelium CLM Connected Lighting Module -** **CLM1**

Current NX Enabled - 1% Dimming** **NXE1**

WaveLinx Pro - 1% Dimming** **WLXP**

** (3' minimum length, with ECD/EM - 7' minimum.)

Ceiling Configurations

Std. 15/16" Lay-in **or** Std. 15/16" Tegular **G1 or T1**

Std. 9/16" Lay-in **or** Std. 9/16" Tegular **G2 or T2**

9/16" Slot-tee Tegular **G3**

Tall 15/16" Lay-in **or** Tall 15/16" Tegular **G4 or T4**

Tall 15/16" Tegular for specialty ceilings **T4V**

Tall 9/16" Lay-in **or** Tall 9/16" Tegular **G5 or T5**

Node 9/16" Tegular **T6**

Factory Options

Chicago Plenum **CP**

Daylight Circuit **_DC**

Emergency Circuit **_EC**

Emergency Battery Pack† **_EM**

Emergency Control Device† **_ECD**

† (4' minimum, 6' minimum with patterns, 120/277 Volt only, Not available at corners.)

6' New York City Flex Whip (120V) **FNY1**

6' New York City Flex Whip (277V) **FNY2**

6' Flex Whip **FW**

Finish

Matte White Housing **WH**

Luminaire Length **ft in**

Specify luminaire/row length in 1" increments (2' minimum, lengths are nominal 1" increments based on T-centers. Housing length is 1" shorter than specified. Leave blank for patterns. Smaller increments available, consult factory.)

Pattern Options

'L' pattern **A' x B'**

'U' pattern **A' x B' x C'**

Rectangular pattern **A' x B' R**

(Consult factory for other pattern options)

Focal Point provides flexibility in meeting the needs of each project by integrating with several building lighting control systems. A variety of sensors, drivers and other components can be specified that allow the luminaires to communicate with wired and wireless networks. All zoning can be digitally reconfigured through the application software. Daylight harvesting, occupancy sensing, integration with HVAC systems, and individual controls enable the monitoring and modulating of light levels and temperature in order to save energy, reduce costs and maximize occupants' comfort. All Connected Solutions luminaires require a compatible building control system.†

Connected Solution	Ordering Code	Model #**	Protocol	Compatible Networks*	Occupancy & Daylight	Temperature Reporting	Communication to Luminaire	Drivers
 legrand WATTSTOPPER®	DLM1	LMFC-011	DLM	DLM	Enabled	No	Wired 	Advance by Signify , Optotronic by eldoLED
	LMFS1	LMFS-601 & LMFI-111	DLM Wireless	DLM	Enabled	No	Wireless	Advance by Signify
LMFSD	LMFS-601	Optotronic by eldoLED (Dexal)						
 COOPER Lighting Solutions	WLXP	OEM-WAA	WaveLinX Wireless	WaveLinX Pro Trellix	Enabled	No	Wireless (WaveLinX Pro Wireless Area Controller)	Advance by Signify
 CRESTRON <small>Connections located under access panel.</small>	D11	Specified Driver	DALI	Crestron Züm Wireless & SpaceBuilder	Enabled	No	Wired	eldoLED ECOdrive
	L11		0-10V					Advance by Signify
 ENCELIUM	CLM1	ZBHA-CLM-DIM-ENC	ZigBee	Encelium X Light Management System	Enabled	No	Wireless	Optotronic by eldoLED Advance by Signify
 Enlighted	ENL1	SU-5E-IOT	Enlighted RF	Enlighted	Integrated	Yes	Wireless	Advance by Signify
 LUTRON <small>Connections located under access panel.</small>	LH1	LDE1	EcoSystem	Quantum, Energi Savr Node, Energi TriPak	Enabled	No	Wired	Lutron Hi-Lume
 nLIGHT <small>Connections located under access panel.</small>	NLT1	nEPS-60-IO	nLight	nLight	Enabled	No	Wired 	eldoLED ECOdrive , eldoLED SOLOdrive
	NXE1	NXFM-LV	NX	NX Distributed Intelligence	Enabled	No	Wired 	Optotronic by eldoLED

*Not all compatible networks may be listed. **For performance data and additional control system details please visit the connected solutions manufacturer websites. Primary drivers are listed in bold. To specify a particular driver please consult factory. †Controls systems supplied by others.

Ordering Guide



Direct Only Linear Circuitry, Zones & Factory Options

HOW TO USE THIS GUIDE

Fill out the worksheet on the following page to specify your requirements for circuitry, zones, and factory options.

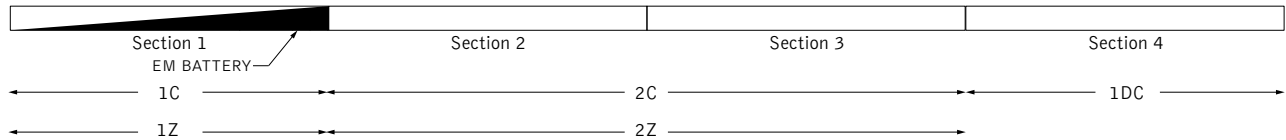
Refer to the run chart for standard run configurations, consult factory for custom configurations.

Complete the Totals / Ordering Codes at the bottom of the worksheet and add to your ordering logic on the cut sheet.

Submit the worksheet along with your order.

TOTAL RUN LENGTH: <u>32ft</u>		JOB NAME: _____			FIXTURE TYPE: _____				
EXAMPLE	HOUSING SECTION	SECTION LENGTH	SHARED ELECTRICAL FEED, NORMAL POWER			FACTORY OPTIONS			
			SWITCHING CIRCUIT	DIMMING ZONE	DAYLIGHT ZONE	SEPARATE ELECTRICAL FEEDS			EM
						DAYLIGHT CIRCUIT	EMERGENCY CIRCUIT	ECD	
1	8	1C	1Z					1EM	
2	8	2C	2Z						
3	8	2C	2Z						
4	8				1DC				
Totals / Ordering Codes		2C	2Z		1DC			1EM	

ORDERING: FSM4L-FL-625LF-35K- **2C2Z** -UNV-LD1-G2- **1DC-1EM** -WH-32ft



KEY	
C = Switching Circuit Switched Hot / Shared Neutral	DC = Daylight Circuit Switched Hot / Separate Neutral
Z = Dimming Zone Dimming Control Wires	EC = Emergency Circuit Switched Hot / Separate Neutral
DL = Daylight Zone Daylight Dimming Control Wires	EM = Emergency Battery Unswitched Hot / Shared Neutral
	ECD = Emergency Control Device Unswitched Hot / Separate Neutral

DEFAULTS

- Zones and Factory Options illuminate entire sections from 4' to 8' in length.
- One shared or isolated circuit and zone required per housing section.
- Limit of one EM or ECD per housing section.
- Additional electrical feed required for applications greater than three shared circuits and zones.
- Each DC, EC and ECD require an additional electrical feed.
- ECD not available in the same housing section as EC.
- Longer lead times and additional pricing may apply for custom run configurations.

CUSTOM LENGTHS

- If partial illumination of emergency or daylight section is required, indicate in ordering guide and add "partial illumination" in Order Notes. Drawing required.
- Engineering validation required, longer lead times may apply.

Ordering Guide Worksheet

Linear Circuitry, Zones & Factory Options



FOCAL POINT®

TOTAL RUN LENGTH: _____		JOB NAME: _____			FIXTURE TYPE: _____			
HOUSING SECTION	SECTION LENGTH	SHARED ELECTRICAL FEED, NORMAL POWER			FACTORY OPTIONS			EM
		SWITCHING CIRCUIT	DIMMING ZONE	DAYLIGHT ZONE	SEPARATE ELECTRICAL FEEDS			
DAYLIGHT CIRCUIT	EMERGENCY CIRCUIT				ECD			
1								
2								
3								
4								
5								
6								
7								
8								
9								
10								
11								
12								
13								
14								
15								
16								
17								
18								
19								
20								
Totals / Ordering Codes								

WORKSHEET

Combine to create Circuits & Zones ordering code

Enter as individual Factory Options

RUN CHART

Run length (ft)	Housing Configuration Section Lengths	Run length (ft)	Housing Configuration Section Lengths	Run length (ft)	Housing Configuration Section Lengths	Run length (ft)	Housing Configuration Section Lengths
9	5 + 4	21	8 + 8 + 5	33	8 + 8 + 8 + 5 + 4	45	8 + 8 + 8 + 8 + 8 + 5
10	6 + 4	22	8 + 8 + 6	34	8 + 8 + 8 + 6 + 4	46	8 + 8 + 8 + 8 + 8 + 6
11	7 + 4	23	8 + 8 + 7	35	8 + 8 + 8 + 7 + 4	47	8 + 8 + 8 + 8 + 8 + 7
12	8 + 4	24	8 + 8 + 8	36	8 + 8 + 8 + 8 + 4	48	8 + 8 + 8 + 8 + 8 + 8
13	8 + 5	25	8 + 8 + 5 + 4	37	8 + 8 + 8 + 8 + 5		
14	8 + 6	26	8 + 8 + 6 + 4	38	8 + 8 + 8 + 8 + 6		
15	8 + 7	27	8 + 8 + 7 + 4	39	8 + 8 + 8 + 8 + 7		
16	8 + 8	28	8 + 8 + 8 + 4	40	8 + 8 + 8 + 8 + 8		
17	8 + 5 + 4	29	8 + 8 + 8 + 5	41	8 + 8 + 8 + 8 + 5 + 4		
18	8 + 6 + 4	30	8 + 8 + 8 + 6	42	8 + 8 + 8 + 8 + 6 + 4		
19	8 + 7 + 4	31	8 + 8 + 8 + 7	43	8 + 8 + 8 + 8 + 7 + 4		
20	8 + 8 + 4	32	8 + 8 + 8 + 8	44	8 + 8 + 8 + 8 + 8 + 4		

Standard run configurations, consult factory for custom configurations.