

# Saros™ Duo

FSR02E | FSR02R



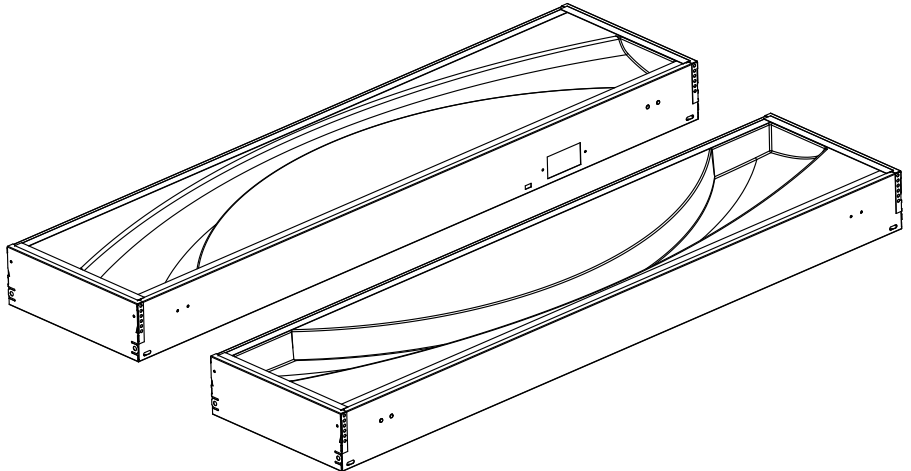
FOCAL POINT®



## BEFORE YOU BEGIN

- Luminaires must be installed by a qualified electrician (check with local and national codes for proper installation).
- To prevent electrical shock, disconnect electrical supply before installation or servicing.
- Contractor is responsible for adequately reinforcing walls and/or ceilings to support fixture weight.
- Focal Point, LLC accepts no responsibility for inadequately reinforced walls and/or ceilings.
- The information contained in this drawing is the sole property of Focal Point, LLC. Any reproduction in part or whole without the written permission of Focal Point, LLC is prohibited.

## COMPONENT KEY



## INSTRUCTION KEY



ATTENTION



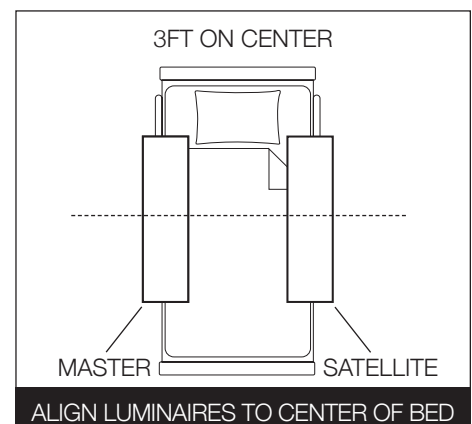
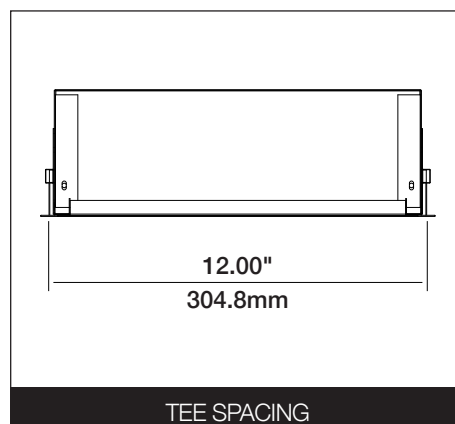
SEE ADDITIONAL INSTRUCTIONS

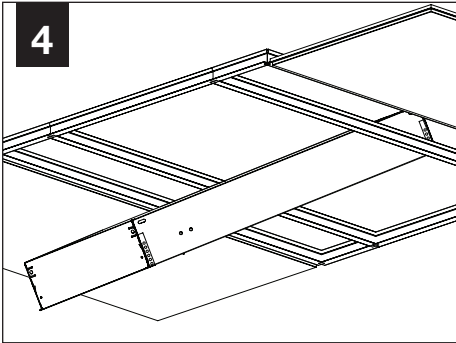
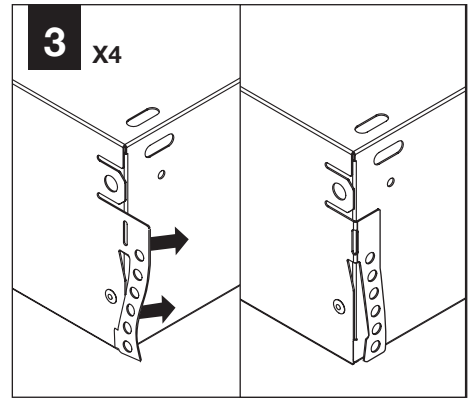
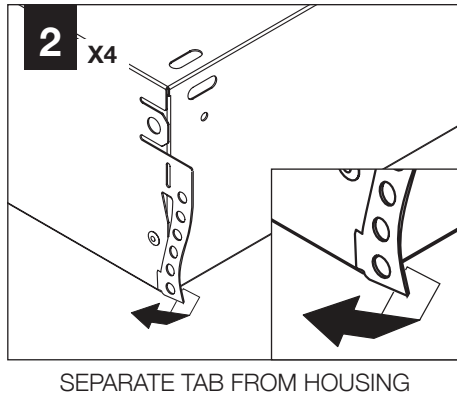
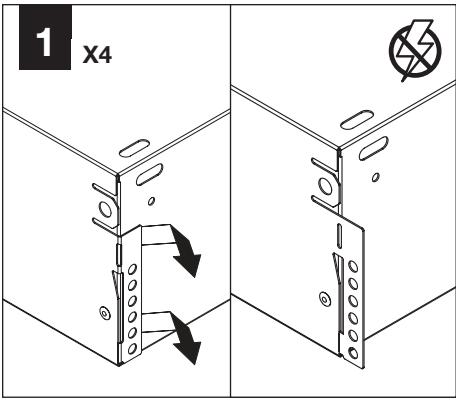


POWER OFF

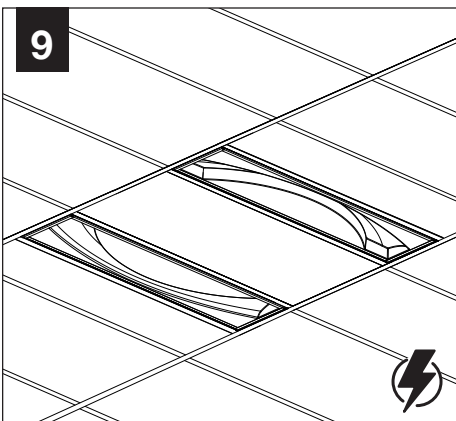
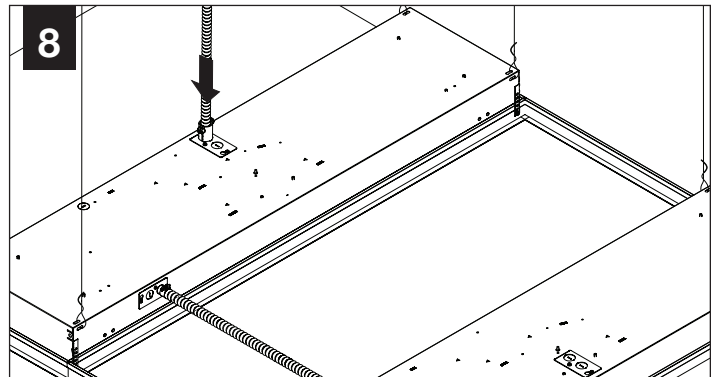
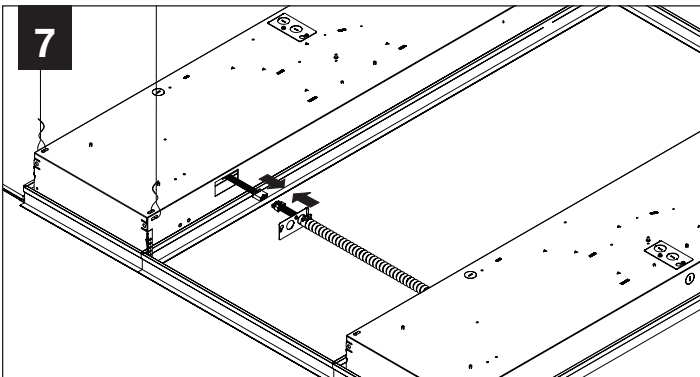
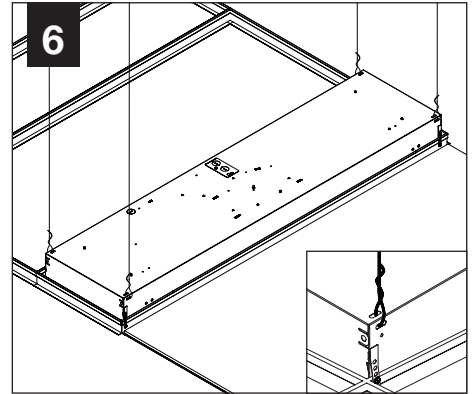
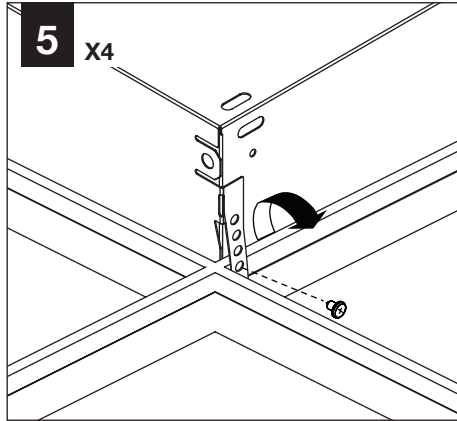


POWER ON

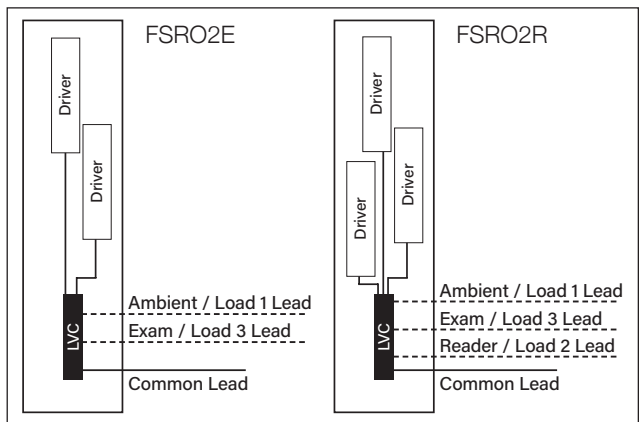




**!** DO NOT USE CENTER LENS RAILS TO LIFT HOUSING

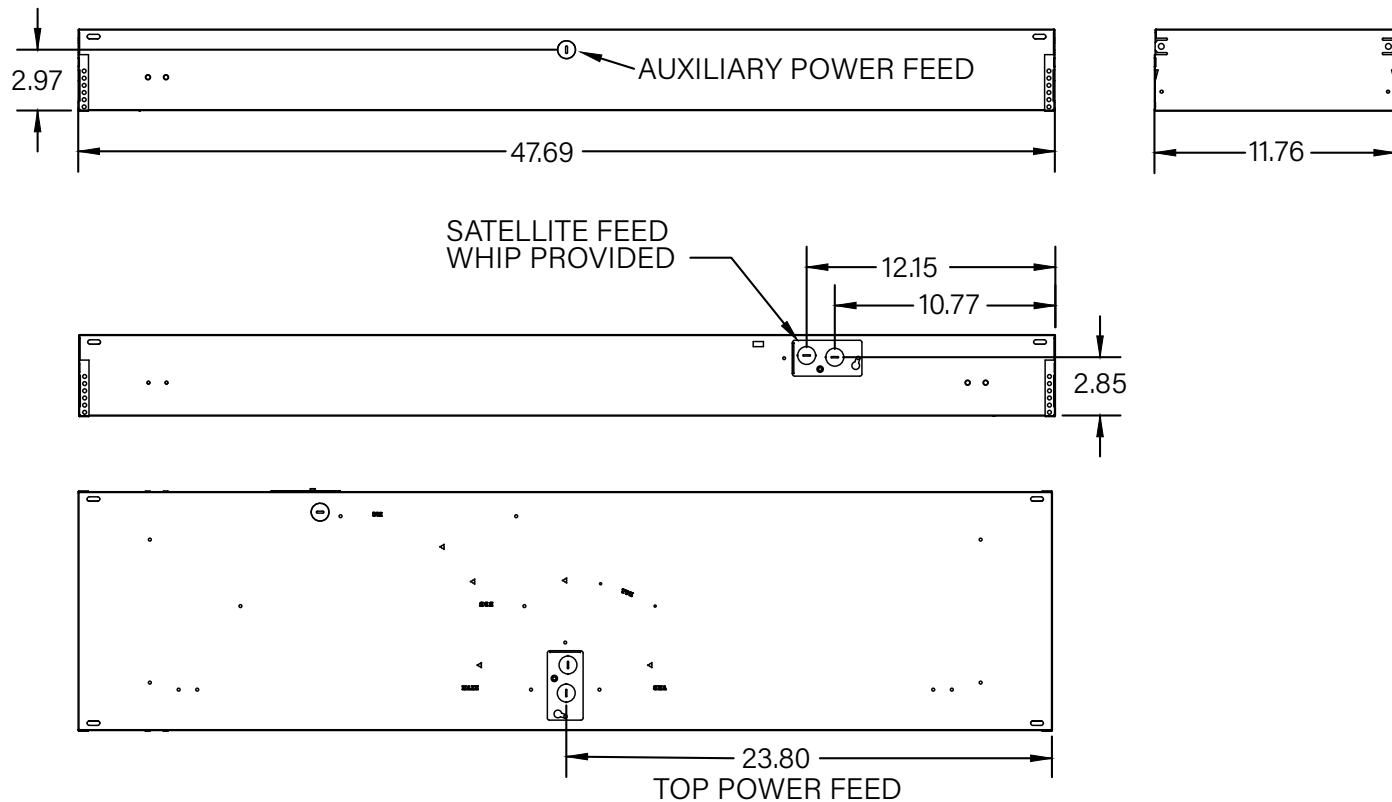


**LVC (LOW VOLTAGE CONTROLLER) - OPTIONAL**

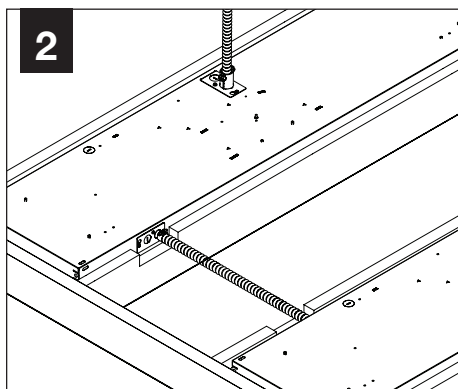


# DRYWALL INSTALLATIONS

**1** CEILING STUDS MAY NEED TO BE NOTCHED TO ACCOMMODATE ELECTRICAL FEEDS



**I** SEE FOCAL POINT FRAME KIT INSTRUCTION SHEET IS160



# SERVICE

