

Seem Sweep™ 2

Surface Mount | FSS2S-SM



BEFORE YOU BEGIN

- Luminaires must be installed by a qualified electrician (check with local and national codes for proper installation).
- To prevent electrical shock, disconnect electrical supply before installation or servicing.
- Contractor is responsible for adequately reinforcing walls and/or ceilings to support fixture weight.
- Focal Point, LLC accepts no responsibility for inadequately reinforced walls and/or ceilings.
- The information contained in this drawing is the sole property of Focal Point, LLC. Any reproduction in part or whole without the written permission of Focal Point, LLC is prohibited.

INSTRUCTION KEY



ATTENTION



SEE ADDITIONAL INSTRUCTIONS



POWER OFF

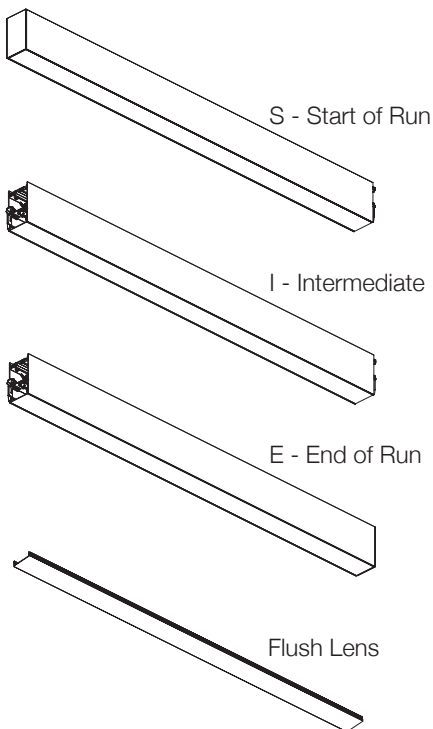


POWER ON

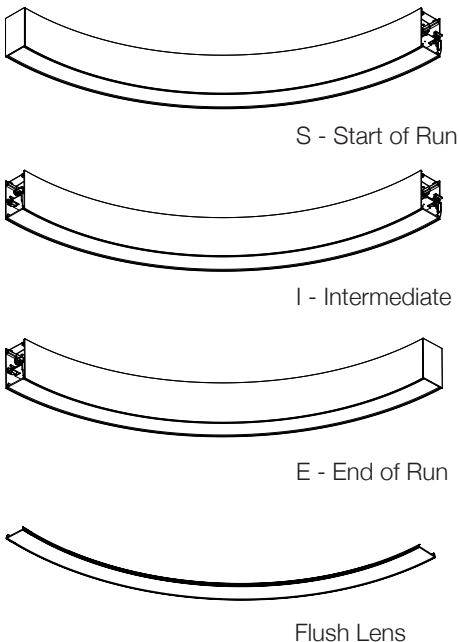
COMPONENT KEY

FOCAL POINT

STRAIGHT HOUSINGS



CURVED HOUSINGS

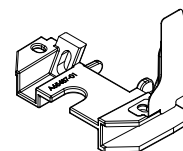


SHIPPED INSTALLED



Reflector Screw
(72026)

(6-32 x 1/4 self tapping screw)



Joiner Bracket Light
Blocker Assembly

Joiner (A65487-01)
Joining Screw (700309)
Light Blocker (A65788-01)
Mounting Screw (700355)

SHIPPED IN HARDWARE BAG

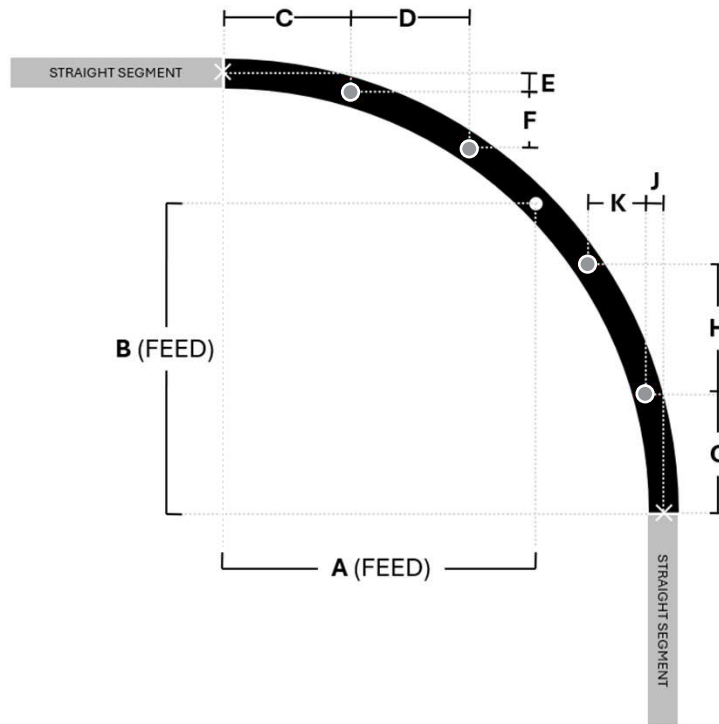


Extra Joining Screw
(700309)

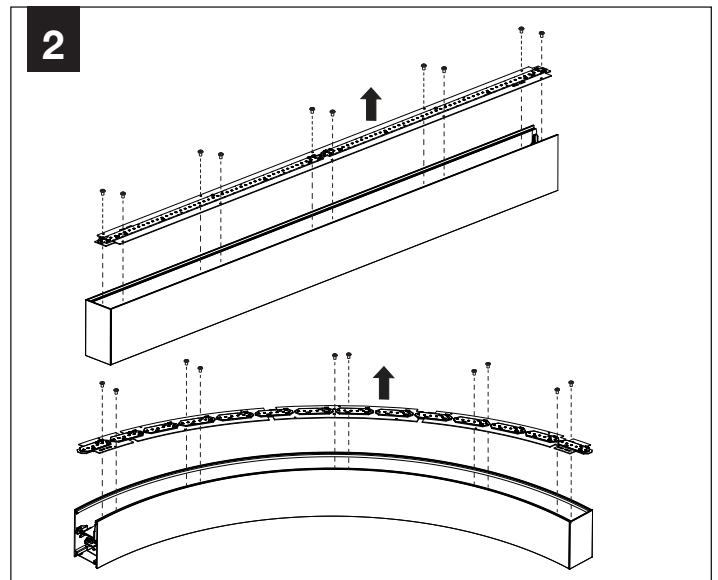
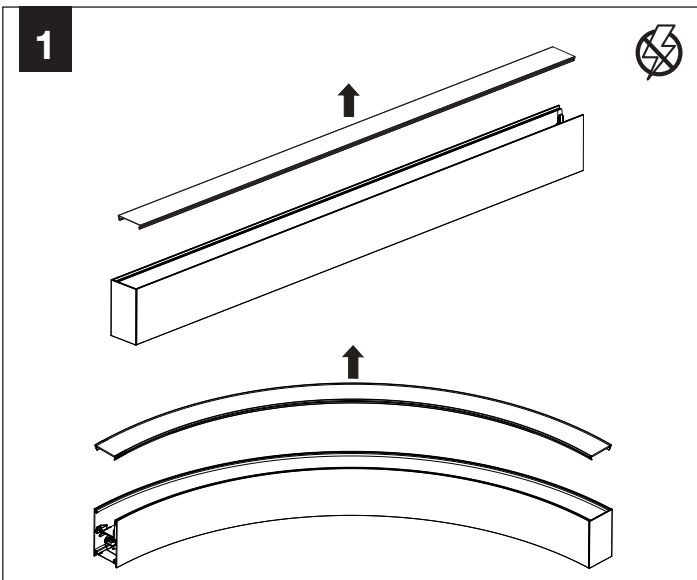


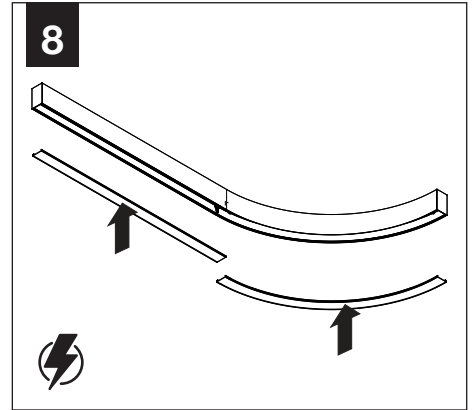
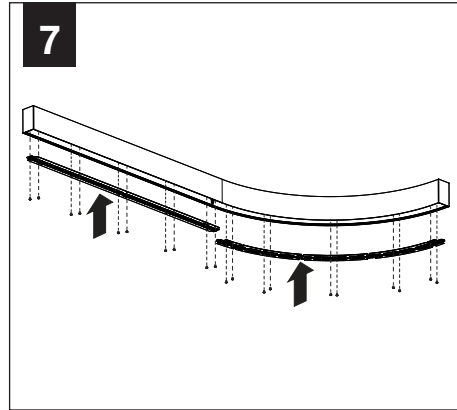
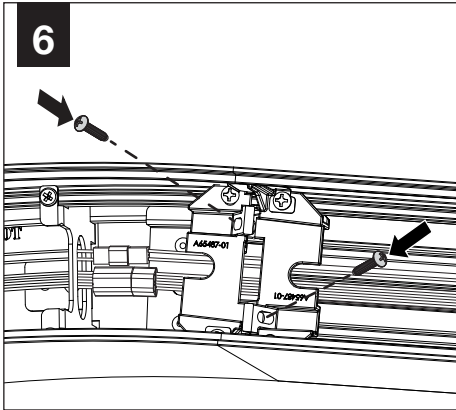
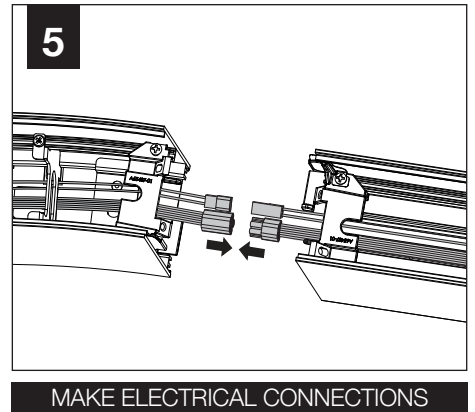
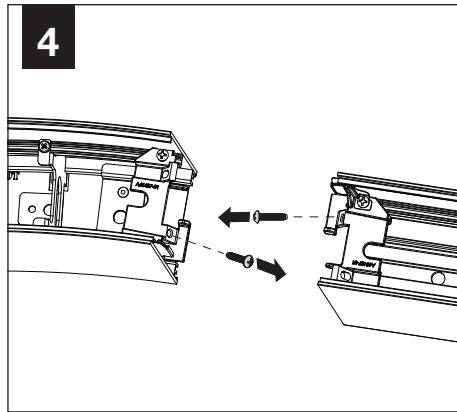
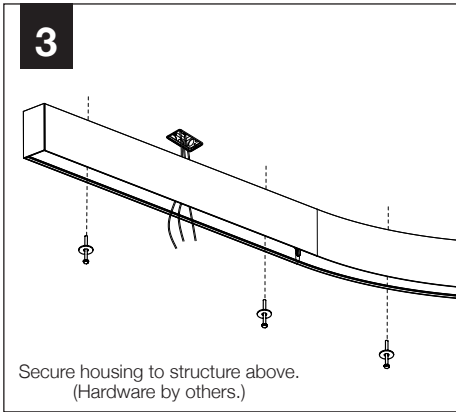
Extra Gripper Bracket
Mounting Screw (72093)

90-DEGREE MOUNTING



	A	B	C	D	E	F	G	H	J	K
12"	7.55	7.55	1.50	N/A	0.11	N/A	1.50	N/A	0.11	N/A
18"	9.49	13.72	1.50	N/A	0.07	N/A	1.50	N/A	0.07	N/A
24"	13.78	18.01	1.50	N/A	0.05	N/A	1.50	N/A	0.05	N/A
30"	20.28	20.28	1.50	14.98	0.04	5.17	1.50	14.98	0.04	5.17
36"	24.52	24.52	1.50	19.05	0.03	6.72	1.50	19.05	0.03	6.72
48"	30.82	35.06	11.87	14.48	1.53	6.62	11.87	14.48	1.53	6.62
60"	41.49	41.49	11.92	15.03	1.22	5.33	11.92	15.03	1.22	5.33





DRIVER SERVICE

