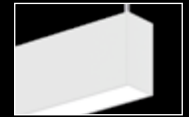
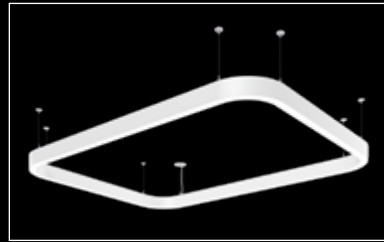
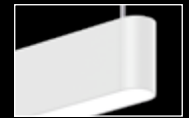
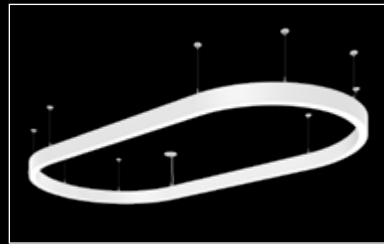


# Seem Sweep™ 2

LED



Standard Flat End Cap

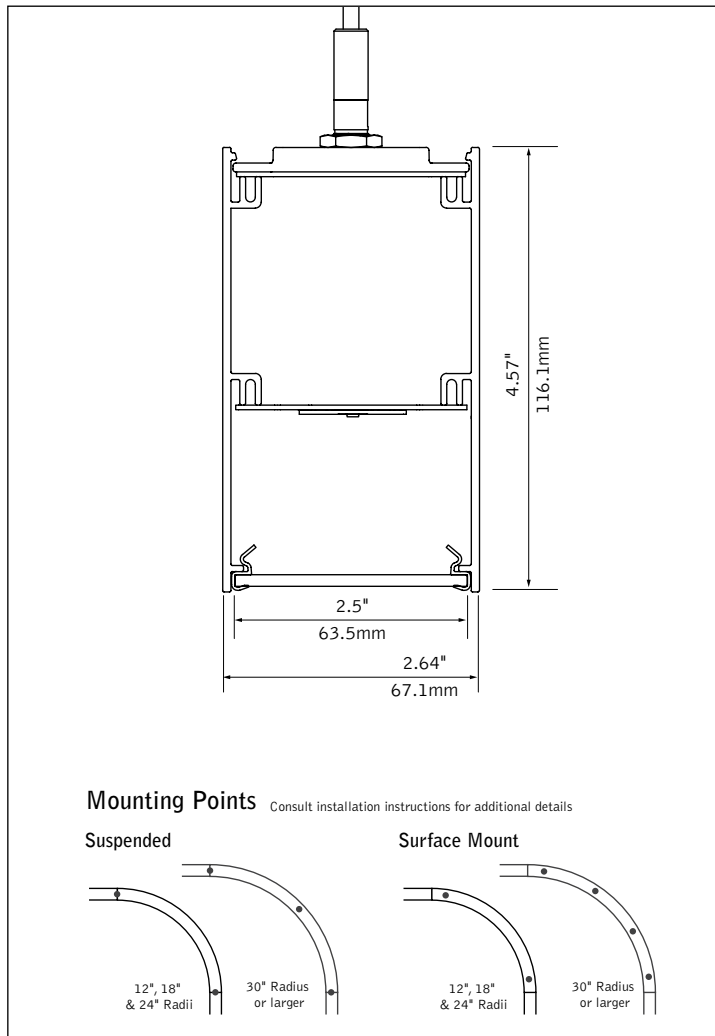


Rounded End Cap Consult factory



Surface Mount

## DIMENSIONAL DATA



## FEATURES

Narrow 2.5" aperture curvilinear suspended and surface mount direct LED luminaire.

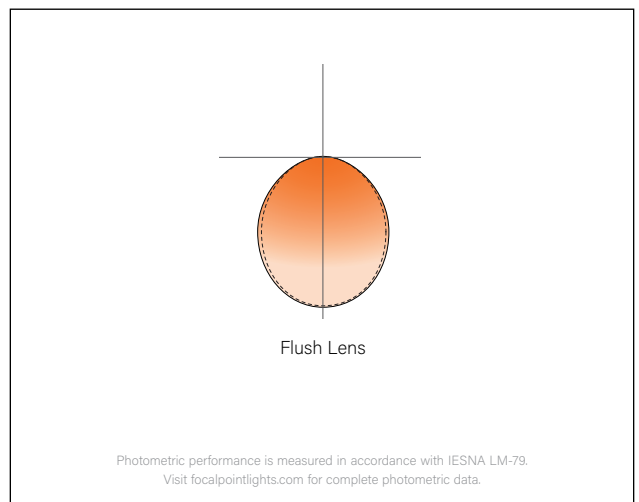
Specify standard radii and angles to create unique soft shapes, rounded corners, and flowing lines.

Frosted acrylic lens provides uninterrupted illumination, without pixels or shadows.

PoE compatible: Integrates with Power over Ethernet lighting systems via standard, low-voltage wires.

Cohesive aesthetic when paired with other Seem 2 luminaires within a space.

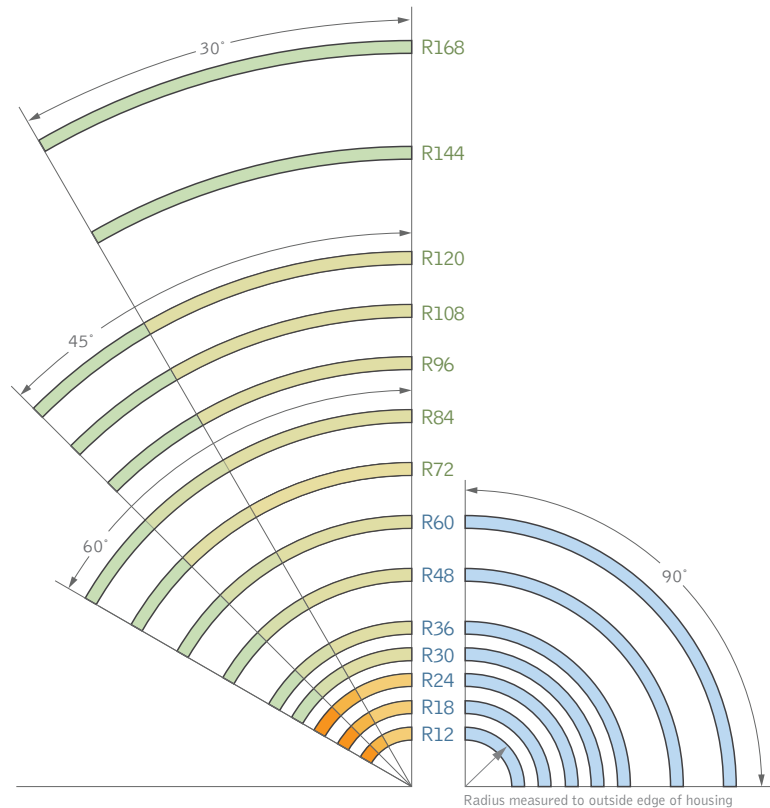
## DISTRIBUTIONS



fixture:

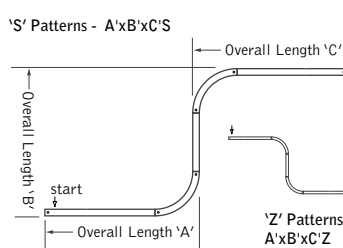
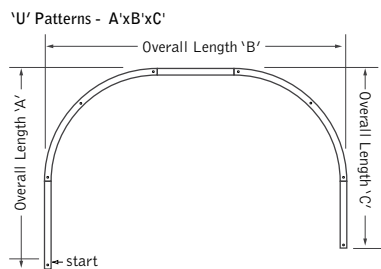
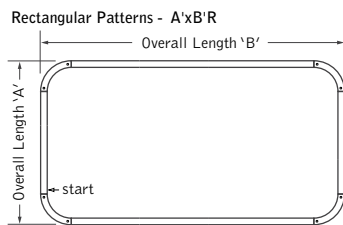
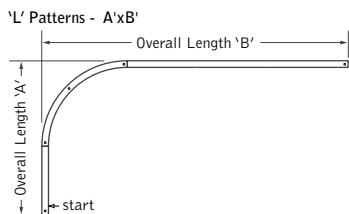
project:

**ANGLE + RADIUS AVAILABILITY**



Radius	Angle			
	30°	45°	60°	90°
12"	●	●	●	✓
18"	●	●	●	✓
24"	●	●	●	✓
30"	■	■	■	✓
36"	■	■	■	✓
48"	■	■	■	✓
60"	■	■	■	✓
72"	■	■	■	■
84"	■	■	■	■
96"	■	■	■	■
108"	■	■	■	■
120"	■	■	■	■
144"	■	■	■	■
168"	■	■	■	■

✓ Standard lead time options available in 1" increments, consult factory for shorter increments.  
 ■ Extended lead times. ● Consult factory for pattern availability and lead time.



Specify clockwise from start of run. Start of run is always at first specified run length.

Focal Point LLC reserves the right to change specifications for product improvement without notification.

**ORDERING**

**Luminaire Series**

Seem Sweep 2 FSS2S

FSS2S

**Shielding**

Flush Satin Lens FL

FL

**Lumen Output**

250 Lumens per foot (Minimum A90-R18 arc) 250LF  
 375 Lumens per foot 375LF  
 500 Lumens per foot 500LF  
 625 Lumens per foot 625LF  
 750 Lumens per foot 750LF  
 875 Lumens per foot 875LF  
 1000 Lumens per foot 1000LF

**Color Temperature**

2700K, 80+ CRI or 90+ CRI 27K or 927K  
 3000K, 80+ CRI or 90+ CRI 30K or 930K  
 3500K, 80+ CRI or 90+ CRI 35K or 935K  
 4000K, 80+ CRI or 90+ CRI 40K or 940K

**Circuits**

1 Circuit 1C

1C

**Voltage**

120/277 UNV Volt UNV  
 347 Volt (consult factory) 347  
 Low Voltage LV

**Control System & Dimming Level**

0-10V - 10% Dimming LD1  
 0-10V - 1% Dimming L11  
 Low Voltage, PoE compatible LVN

(No driver. Not available with EM or EC. LV Voltage only.)  
 Lutron Athena Wireless Node (consult factory) LAW1  
 Lutron Athena Wireless Sensor (consult factory) LAWS  
 DALI 1% Dimming D11

**Mounting**

24" Cable Suspension C24  
 48" Cable Suspension C48  
 96" Cable Suspension C96

(Specify canopy color WH, BK or PS. Ex: White = C24WH.)  
 (Specify one of the following in place of "C"  
 J - for 2" canopies at non-feed locations.  
 CS - for sloped ceiling applications.)

Surface Mount SM

**Factory Options**

Black Cord BKCD  
 Emergency Circuit \_EC  
 Emergency Battery Pack \_EM  
 (Linear housings only. 4' minimum. 120/277 Volt only.)  
 ● Rounded End Caps RE (Pair, adds 2.64" to overall luminaire length.)

**Finish**

Matte White Housing WH  
 Matte Black BK  
 Palladium Silver PS

**Pattern Options**

(Specify lengths in 1in increments. See Angle + Radius availability table.)  
 'L' pattern A' x B' L  
 'U' pattern A' x B' x C' U  
 Rectangular pattern A' x B' R  
 (90° Arc only)  
 'S' pattern A' X B' x C' S  
 (B represents length across radius segments; A and C represent overall outside leg lengths)  
 'Z' pattern A' X B' x C' Z  
 (B represents length across radius segments; A and C represent overall outside leg lengths)

**Angle**

(See Angle + Radius availability table)  
 90° A90  
 30° A30  
 45° A45  
 60° A60

**Radius**

(See Angle + Radius availability table. Radius is measured to the outside edge of the luminaire housing.)  
 12" Radius R12  
 18" Radius R18  
 24" Radius R24  
 30" Radius R30  
 36" Radius R36  
 48" Radius R48  
 60" Radius R60

## SPECIFICATIONS

### LED System

Proprietary linear LED module incorporates premium LEDs on a robust platform to achieve excellent thermal management. LEDs are placed to promote a uniform appearance. Available in 2700K, 3000K, 3500K or 4000K with CRI>80 or CRI>90, 3 SDCM. 3500K and 4000K with CRI>90 have a cyanosis observation index (COI) of 3.3 or less. LED modules and drivers are replaceable from below.

### Construction

Extruded aluminum housing. Cast aluminum end caps. 8' unit weight: 25lbs.

### Optic

Reflectors fabricated of 22 Ga. steel finished in matte white powder coat. Extruded acrylic lens with satin finish, up to 8' continuous.

### Electrical

Luminaires are pre-wired with factory installed branch circuit wiring and over-molded quick connects. Standard 120-277V constant current driver includes 0-10V analog dimming. Power factor > .9. PoE compatible: Integrates with Power over Ethernet lighting systems via standard, low-voltage wires. PoE runs require an independent PoE node and power feed for each luminaire section.

### Emergency

Emergency Battery output - 10 watts for 90 minutes. Maximum mounting height: 20 ft.

### Labels

UL and cUL listed. Suitable for Dry or Damp Locations, indoor use only.

### Finish

Polyester powder coat applied over a multi-stage pre-treatment. Canopy and cord white as standard.

### Lumen Maintenance

Reported: L70 at >72,000 hours                      Calculated: L70 at 211,000 hours  
                  L90 at 61,000 hours                      L90 at 61,000 hours

Derived from EPA TM-21 calculator. Based on typical conditions, consult factory for additional data.

### Reliability

At Focal Point, our products are designed to stand the test of time. Each luminaire is engineered using superior components, manufactured with the utmost care and rigorously tested. Contact us for reliability data.

### Warranty

LED system rated for operation in ambient environments up to 25°C. 5-year limited warranty.

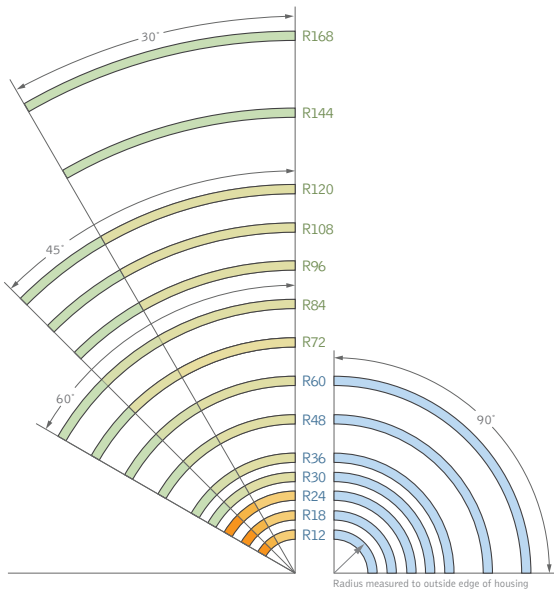
## 4' PERFORMANCE CHART

Lumen Output	Delivered Lumens	Tested System Watts	LPW
250LF	1000	7.3	136.5
375LF	1505	12.1	124.0
500LF	2006	16.4	122.0
625LF	2504	20.9	119.5
750LF	3005	27.0	111.4
875LF	3500	32.1	109.2
1000LF	4001	35.2	113.8

Based on 3500K, 4' length. Lumen multipliers: Delivered lumens may vary +/- 5%. Actual wattage may vary +/- 5%

# Seem Sweep™ 2

## DESIGN GUIDE

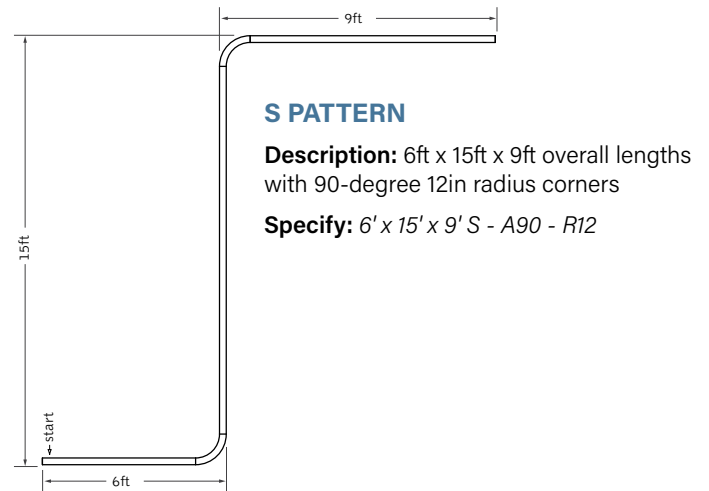
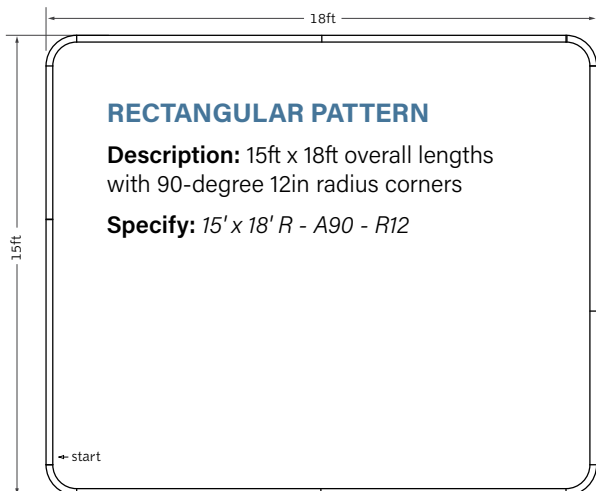
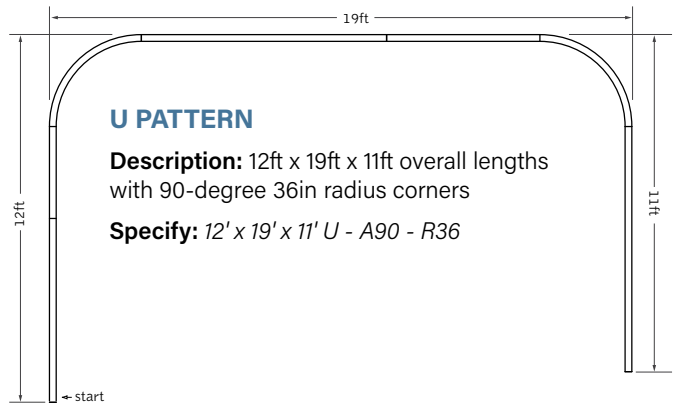
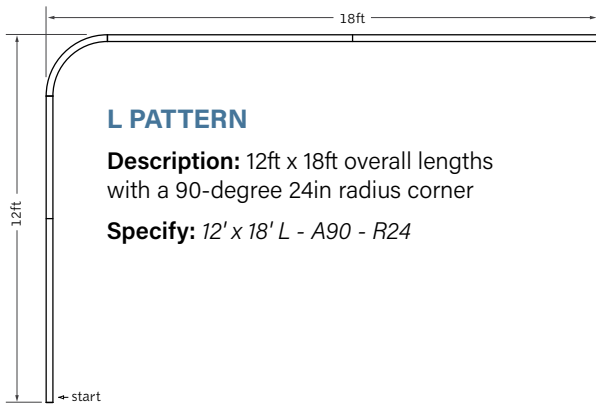


Radius	Angle			
	30°	45°	60°	90°
12"	●	●	●	✓
18"	●	●	●	✓
24"	●	●	●	✓
30"	■	■	■	✓
36"	■	■	■	✓
48"	■	■	■	✓
60"	■	■	■	✓
72"	■	■	■	■
84"	■	■	■	
96"	■	■	■	■
108"	■	■	■	
120"	■	■	■	■
144"	■	■	■	
168"	■	■	■	■

✓ Standard lead time options available in 1" increments, consult factory for shorter increments.  
 ■ Extended lead times. ● Consult factory for pattern availability and lead time.

### SIMPLE 90-DEGREE CORNER PATTERNS

Patterns should be specified clockwise from the start of the run. Start of run is always at first specified run length.



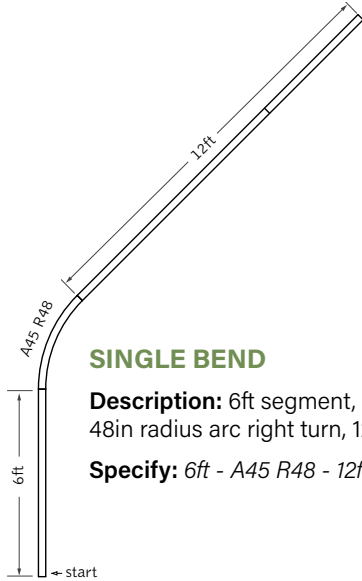
# Seem Sweep™ 2

## DESIGN GUIDE



### SIMPLE NON-90-DEGREE PATTERNS

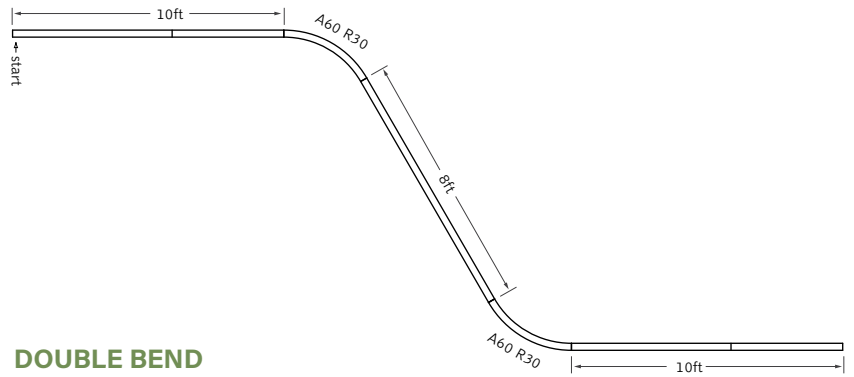
Patterns should be specified clockwise from the start of the run. Start of run is always at first specified run length.



#### SINGLE BEND

**Description:** 6ft segment, 45-degree 48in radius arc right turn, 12ft segment

**Specify:** 6ft - A45 R48 - 12ft



#### DOUBLE BEND

**Description:** Two (2) 10ft straight segments, with two (2) 60-degree 30in radius arcs connected by an 8ft segment

**Specify:** 10ft - A60 R30 - 8ft - A60 R30 - 10ft

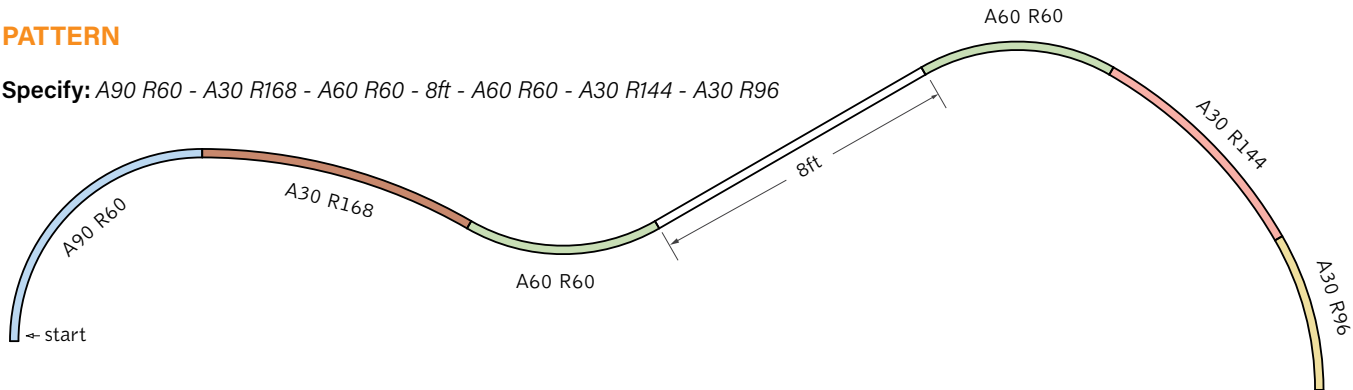
### COMPLEX PATTERNS

Instead of a pattern code, angle and radius as separate ordering codes, provide one complex string.

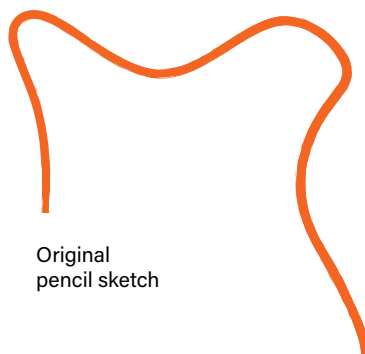
Patterns should be specified clockwise from the start of the run. Start of run is always at first specified run length.

#### PATTERN

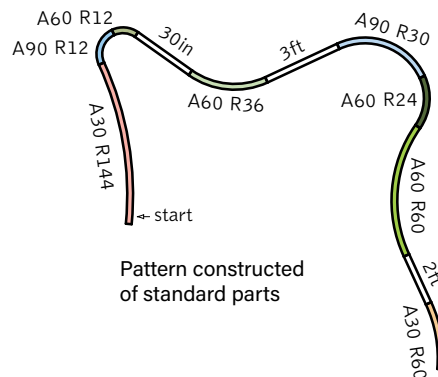
**Specify:** A90 R60 - A30 R168 - A60 R60 - 8ft - A60 R60 - A30 R144 - A30 R96



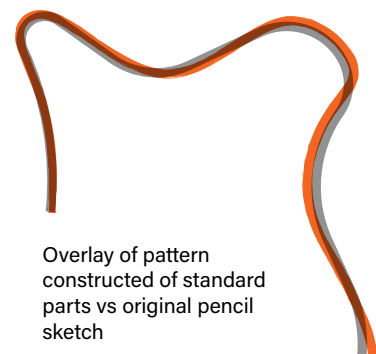
### Convert a custom pattern to standard parts with minimal pattern impact



Original pencil sketch



Pattern constructed of standard parts



Overlay of pattern constructed of standard parts vs original pencil sketch