

# Tazo™ Dual

FREE-STANDING LUMINAIRE



FOCAL POINT®



Lens detail



Louver detail



Optional Integrated Sensor detail



Integrated Controls detail

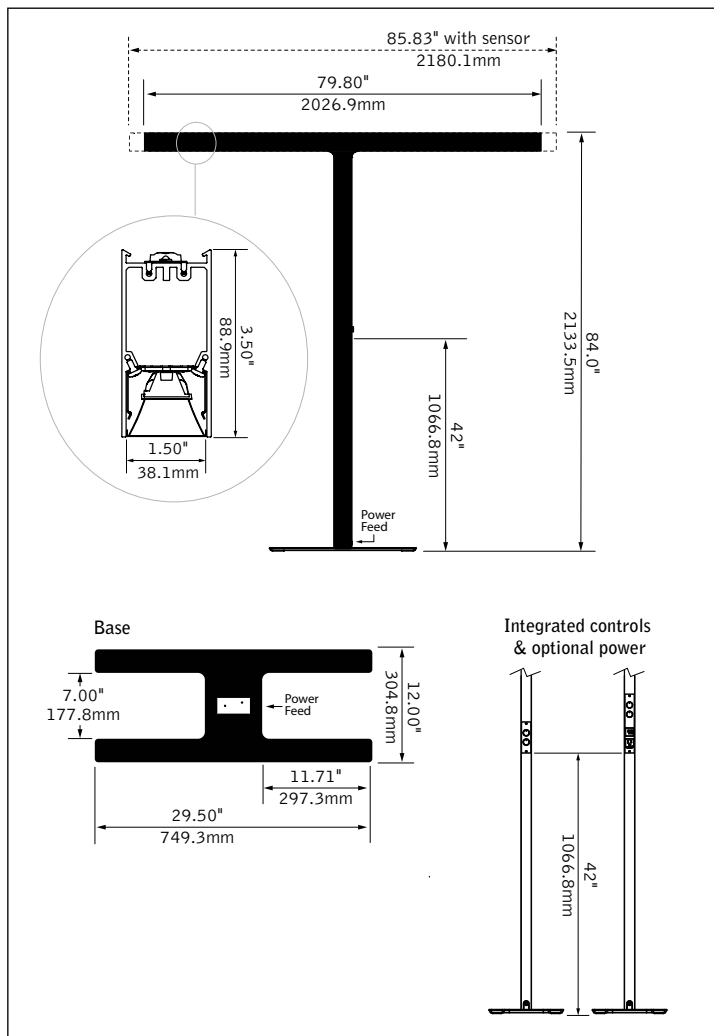


Optional Integrated Power detail



Base detail

## DIMENSIONAL DATA



## FEATURES

Architectural free-standing luminaire supports the trend for flexible lighting solutions in today's office spaces and anywhere people work.

Flush lens or louver direct shielding option with optional batwing indirect distribution.

Frosted acrylic lenses provide uninterrupted illumination, without pixels or shadows.

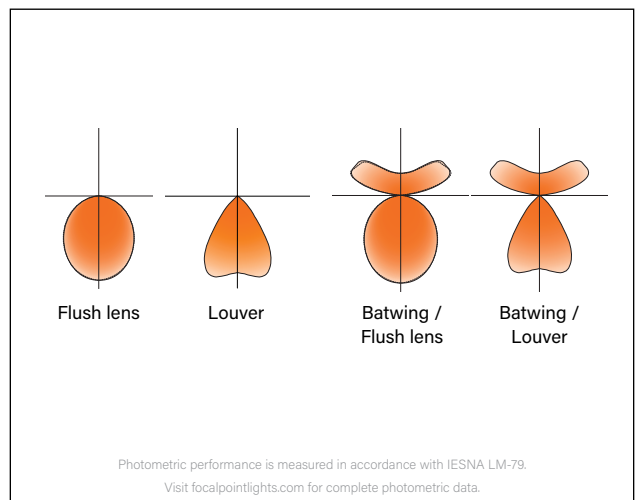
Deeply regressed louver cells provide 60° cut-off from light source to promote visual comfort.

Regular and high output versions provide >100 LPW.

Integrated user controls, occupancy and photo sensor, and networked wireless lighting control options.

Optional integrated USB-A / USB-C and 120-V charging ports.

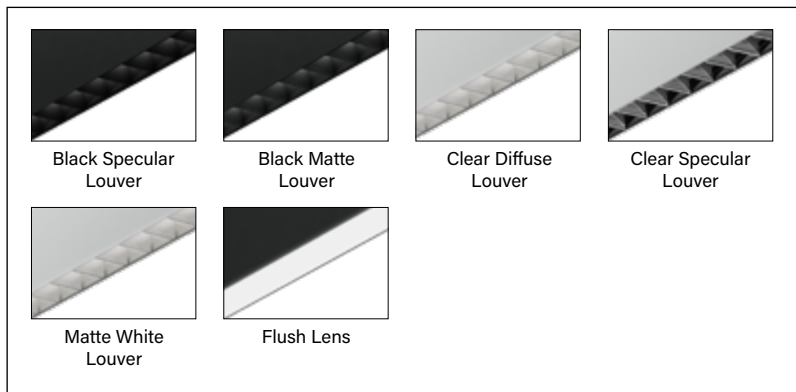
## PERFORMANCE



fixture:

project:

**OPTICAL OPTIONS**



**1% DIMMING CONTROLS REFERENCE**

| Ordering Code | Description  | Dimming Controls | Diagram | Occupancy & Photo Sensing | Network Control* |
|---------------|--|------------------|---------|---------------------------|------------------|
| 1C            | All on/off   |                  |         | -                         | -                |
| 2S            | Independent control of left & right  |                  |         | -                         | -                |
| 2SOCL         | Independent control of left & right plus occupancy sensor                    |                  |         | Direct                    | -                |
| 2C            | Independent control of indirect & direct                                     |                  |         | -                         | -                |
| 3C            | Independent control of indirect, left & right                                |                  |         | -                         | -                |
| 3W            | Wireless indirect, independent control of left & right                       |                  |         | -                         | Indirect         |
| 3WOCL         | Wireless indirect, independent control of left & right plus occupancy sensor |                  |         | Direct                    | Indirect         |

\*Network control utilizes Lutron Vive. Consult factory for integration with other wireless Connected Solutions.

**PERFORMANCE CHART\***

| Indirect Output  | Indirect Lumens | Direct Output | Direct Lumens per side | Total Lumens | Total Watts | LPW |
|------------------|-----------------|---------------|------------------------|--------------|-------------|-----|
| Regular (RUP)    | 3000            | Regular (RDN) | 1500                   | 6000         | 51W         | 118 |
|                  |                 | High (HDN)    | 1875                   | 6750         | 59W         | 115 |
| High (HUP)       | 3750            | Regular (RDN) | 1500                   | 6750         | 56W         | 121 |
|                  |                 | High (HDN)    | 1875                   | 7500         | 64W         | 117 |
| Direct only (NO) | 0               | Regular (RDN) | 1500                   | 3000         | 29W         | 103 |
|                  |                 | High (HDN)    | 1875                   | 3750         | 37W         | 101 |

\*Based on 3500K, 80CRI, Matte Black Louver. Delivered lumens may vary +/- 5%. Actual wattage may vary +/- 5%. Total watts based on light module only, not including integrated power.

**ORDERING**

|   |  |   |
|---|--|---|
| <b>Luminaire Series</b>   | Tazo Dual  | FTZD  |
| <b>Profile</b>  | Rounded T  | RT  |
| <b>Shielding</b>  | Batwing Indirect + Flush Lens Direct   | BWFL  |
|   | Batwing Indirect + Louver Direct   | BWLC  |
|   | Flush Lens Direct only   | FL  |
|   | Louver Direct only   | LC  |
| <b>Indirect Lumen Output</b>  | Regular Output, 3000 Lumens  | RUP   |
|   | High Output, 3750 Lumens   | HUP   |
|   | Direct only, no uplight<br><small>(Required for Direct only options)</small>   | NO  |
| <b>Direct Lumen Output</b>  | Regular Output, 3000 Lumens  | RDN   |
|   | High Output, 3750 Lumens   | HDN   |
| <b>Color Temperature</b>  | 2700K, 80CRI or 90 CRI   | 27K or 927K   |
|   | 3000K, 80CRI or 90 CRI   | 30K or 930K   |
|   | 3500K, 80CRI or 90 CRI   | 35K or 935K   |
|   | 4000K, 80CRI or 90 CRI   | 40K or 940K   |
| <b>Dimming Controls</b>   | Single Control   | All on/off 1C   |
|   | Dual Control<br><small>(FL or LC only)</small>   | Independent control left/right 2S<br>+ occupancy sensor 2SOCL |
|   | Dual Control<br><small>(BWFL or BWLC only)</small>   | Independent control indirect/direct 2C                        |
|   | Three-way Control<br><small>(BWFL or BWLC only)</small>  | Independent control indirect/left/right 3C                    |
|   | Wireless Network Control Indirect<br><small>(BWFL or BWLC only)</small>  | Independent control left/right 3W<br>+ occupancy sensor 3WOCL |
| <b>Integrated Power Options</b>   | No Integrated Power  | NP  |
|   | AC Outlet & USB-A/USB-C power receptacles both sides   | 2AUC  |
| <b>Mounting Base</b>  | Portable Floor Standing<br><small>(Consult factory for alternate mounting)</small>   | PFS   |
| <b>Power Feed</b>   | Black Cord & Plug 120 Volt<br><small>(Consult factory for others)</small>  | CRD   |
| <b>Louver Finish</b><br><small>(Louver options only. Leave blank for lensed options.)</small> | Matte Black  | BK  |
|   | Black Specular   | BS  |
|   | Clear Diffuse  | CD  |
|   | Clear Specular   | CS  |
|   | Matte White  | WH  |
| <b>Housing Finish</b>   | Black  | BK  |
|   | Matte White  | WH  |
|   | Titanium Silver  | TS  |
| <b>Factory Options</b>  | Adjustable leveling feet (set of 4)<br><small>(Consult factory. Recommended only for unlevel floors, can accommodate up to 0.125" variation per square foot. Increases overall height by 0.5")</small> | ALF   |

## SPECIFICATIONS

### LED System

Proprietary linear LED module incorporates premium LEDs on a robust platform to achieve excellent thermal management. LEDs are placed to promote a uniform appearance. Available in 2700K, 3000K, 3500K or 4000K with both 80 and 90 CRI options. LED modules and drivers are replaceable from below. Color accuracy <3 SDCM.

### Construction

Extruded aluminum housing. Cast aluminum end caps. Luminaire will not exceed 55lbs

### Optic

60-degree cut-off to louvered light source and its image. Lensed reflectors fabricated of 24 Ga. steel finished in High Reflectance White powder coat. Extruded acrylic lens .085" thick with frosted finish continuous.

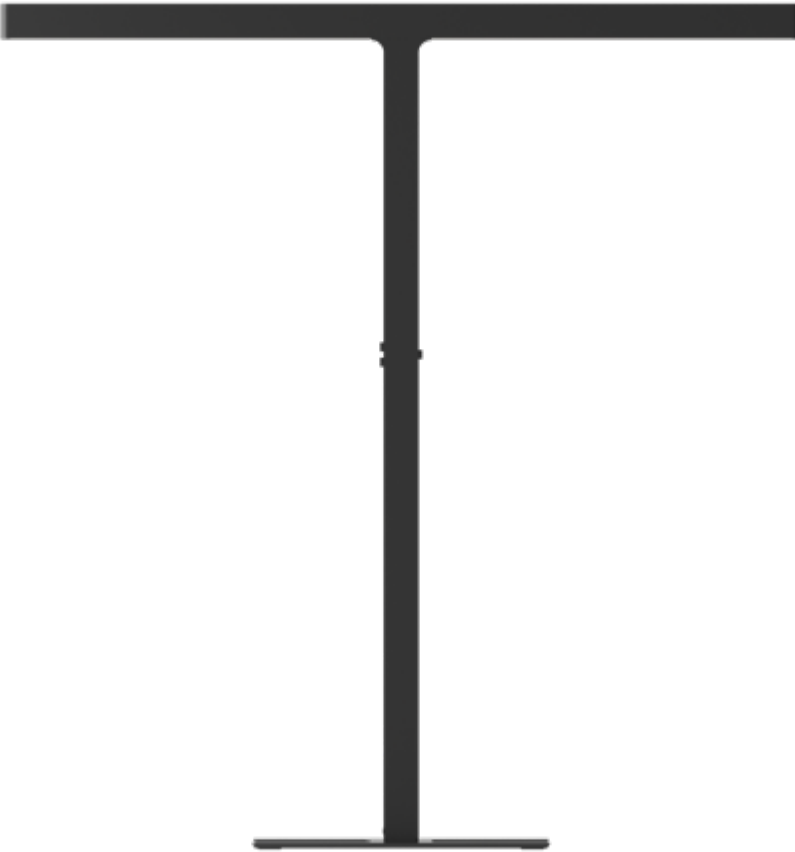
### Electrical

120 Volt, 6ft cord and plug. Optional integrated power: One (1) 5A tamper-resistant outlet (125VAC) for small electronics. One (1) USB-A and USB-C combination outlet: 15W shared for phones, laptops and other small electronics.

### Optional Networked controls

Wireless networked controls configured using Lutron Vive, contact factory for other wireless control options.

## PROFILE



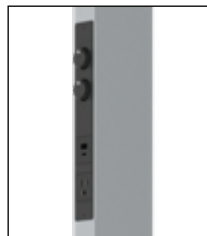
## CONTROL PANEL/HOUSING FINISHES



Black



Matte White



Titanium Silver

### Labels

UL and cUL listed. Suitable for Dry Locations, indoor use only.

### Finish

Polyester powder coat applied over a multi-stage pre-treatment. Black cord.

### Lumen Maintenance

Linear Source

Reported: L70 at >61,000 hours  
L90 at >61,000 hours

Calculated: L70 at 470,000 hours  
L90 at 115,000 hours

Louvered Sources

Reported: L70 at >54,000 hours  
L90 at 43,000 hours

Calculated: L70 at 138,000 hours  
L90 at 43,000 hours

Derived from EPA TM-21 calculator. Based on typical conditions, consult factory for additional data.

### Reliability

At Focal Point, our products are designed to stand the test of time. Each luminaire is engineered using superior components, manufactured with the utmost care and rigorously tested. Contact us for reliability data.

### Warranty

LED system rated for operation in ambient environments up to 25°C. 5 year limited warranty.

## LUMEN MULTIPLIER TABLE

### Lens Color Temperature & CRI

| Color Temperature     | Multiplier |
|-----------------------|------------|
| 2700K, 80+ CRI [27K]  | 0.96       |
| 2700K, 90+ CRI [927K] | 0.79       |
| 3000K, 80+ CRI [30K]  | 1.00       |
| 3000K, 90+ CRI [930K] | 0.82       |
| 3500K, 80+ CRI [35K]  | 1.00       |
| 3500K, 90+ CRI [935K] | 0.84       |
| 4000K, 80+ CRI [40K]  | 1.01       |
| 4000K, 90+ CRI [940K] | 0.86       |

### Louver Color Temperature & CRI

| Color Temperature     | Multiplier |
|-----------------------|------------|
| 2700K, 80+ CRI [27K]  | 0.95       |
| 2700K, 90+ CRI [927K] | 0.80       |
| 3000K, 80+ CRI [30K]  | 0.97       |
| 3000K, 90+ CRI [930K] | 0.83       |
| 3500K, 80+ CRI [35K]  | 1.00       |
| 3500K, 90+ CRI [935K] | 0.85       |
| 4000K, 80+ CRI [40K]  | 1.03       |
| 4000K, 90+ CRI [940K] | 0.87       |

### Louver Finish

| Color               | Multiplier |
|---------------------|------------|
| Matte Black [BK]    | 1.00       |
| Black Specular [BS] | 1.00       |
| Clear Diffuse [CD]  | 1.07       |
| Clear Specular [CS] | 1.10       |
| Matte White [WH]    | 1.11       |

## How To Use Lumen Multipliers

**Formula:** (Lumen Output Value) x (Color Temperature & CRI) x (Finish)

### Louwer Example:

FTZD-RDN (1500)-930K-BS

(1500) x (0.83) x (1.00) ≈1245 lm (estimated delivered lumens)