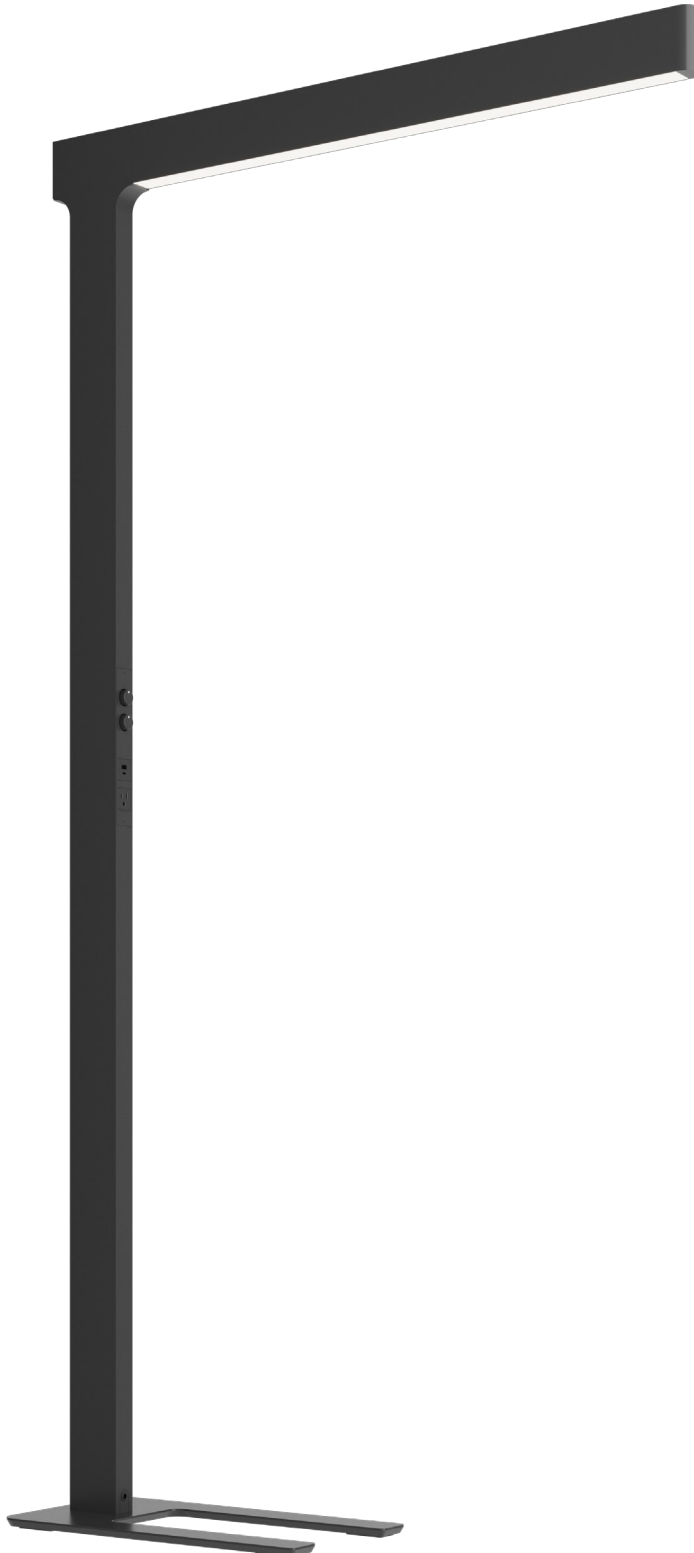


Tazo™ Single

RSF | FSF

Assembly Instructions | User Manual



 Do not discard shipping carton and inserts. Packaging is used during the assembly process.



TABLE OF CONTENTS

02	Technical data
02	Safety information
03	Luminaire components, hardware, and tools
04	Before you begin
05	LED module assembly instructions
06	Base assembly instructions
08	Integrated lighting controls operation
08	Wireless lighting controls operation
09	Integrated power outlet operation
09	Dimming controls reference table

INSTRUCTION KEY



ATTENTION



SEE ADDITIONAL INSTRUCTIONS



POWER OFF



POWER ON

TECHNICAL DATA

- 120 Volt, 6ft cord and plug
- Optional integrated power:
 - One (1) 5A tamper-resistant outlet (125VAC)
 - One (1) USB-A and USB-C combination outlet: 15W shared
- UL and cUL listed
- Suitable for indoor use only



SAFETY INFORMATION

- Please read all assembly and operation instructions carefully to avoid errors that could lead to product malfunction or a hazardous condition.
- Focal Point, LLC accepts no responsibility and disclaims all liability for incorrectly or inadequately assembled products.
- To prevent electrical shock, make sure product is not connected to electrical outlet before or during assembly.
- Products must be serviced by a qualified electrician (check with local and national codes for proper installation).
- Consult factory for service
- The information contained in this drawing is the sole property of Focal Point, LLC. Any reproduction in part or whole without the written permission of Focal Point, LLC is prohibited.

HARDWARE & TOOLS



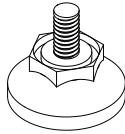
A

x2



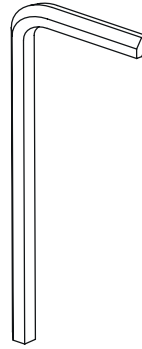
B

x2



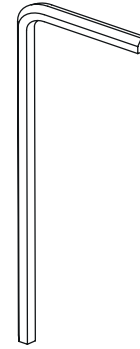
C

x4



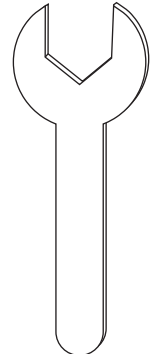
D

x1



E

x1



F

x1

A Module Joiner Screw (700695)

B Base Joiner Screw (700694) and Washer (700693)

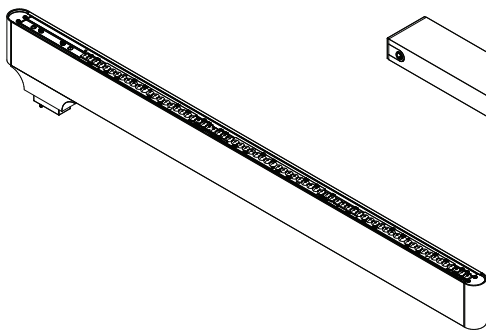
C Adjustable Leveling Foot (A68168-01) **[OPTIONAL]**

D 5/32" Allen Key

E 1/8" Allen Key

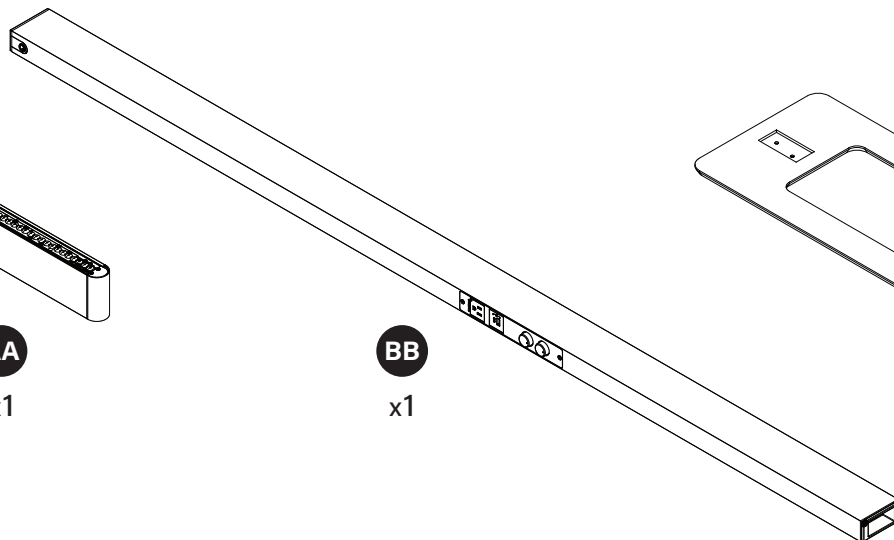
F Wrench **[OPTIONAL]**

LUMINAIRE COMPONENTS



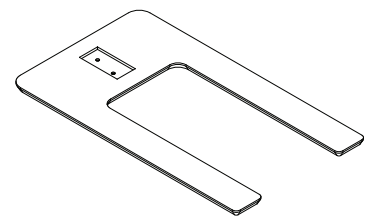
AA

x1



BB

x1



CC

x1

AA LED Module

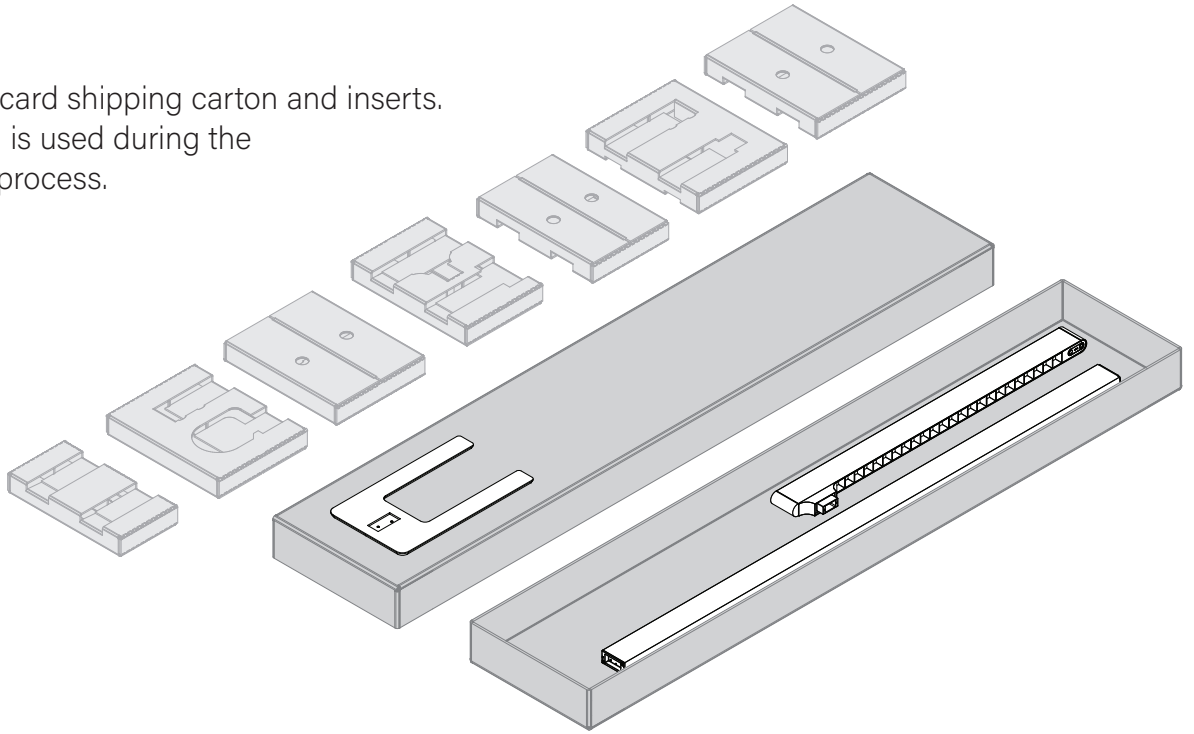
BB Post

CC Base

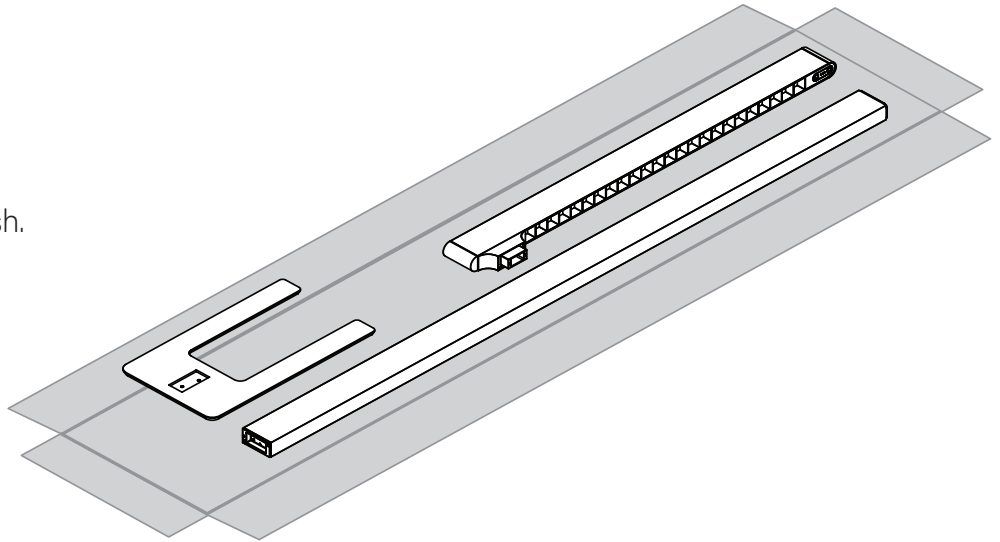
BEFORE YOU BEGIN



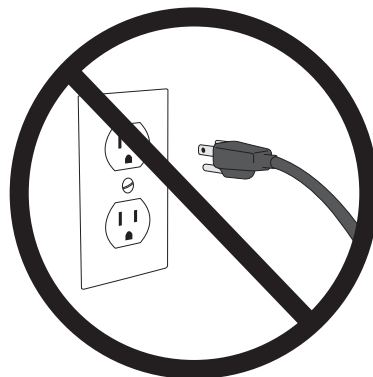
Do not discard shipping carton and inserts. Packaging is used during the assembly process.



Use flattened shipping carton lid to protect finish.

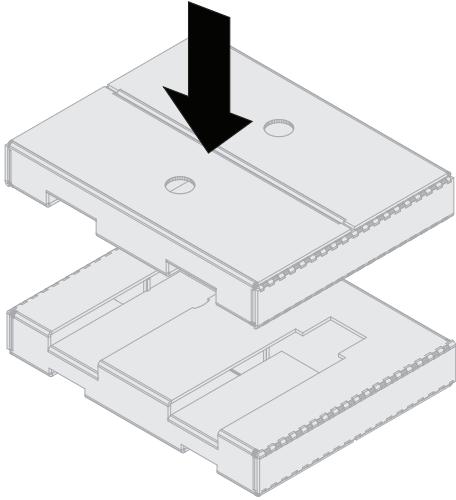


Do not power product during assembly.



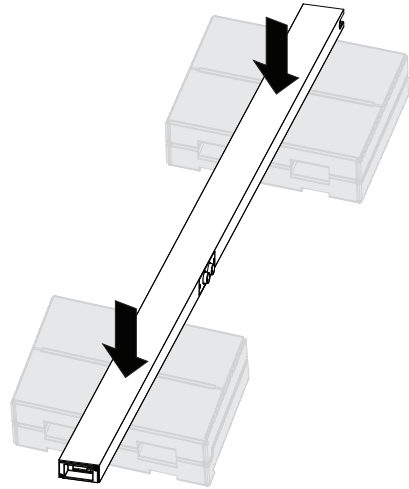
LED MODULE INSTALLATION

1



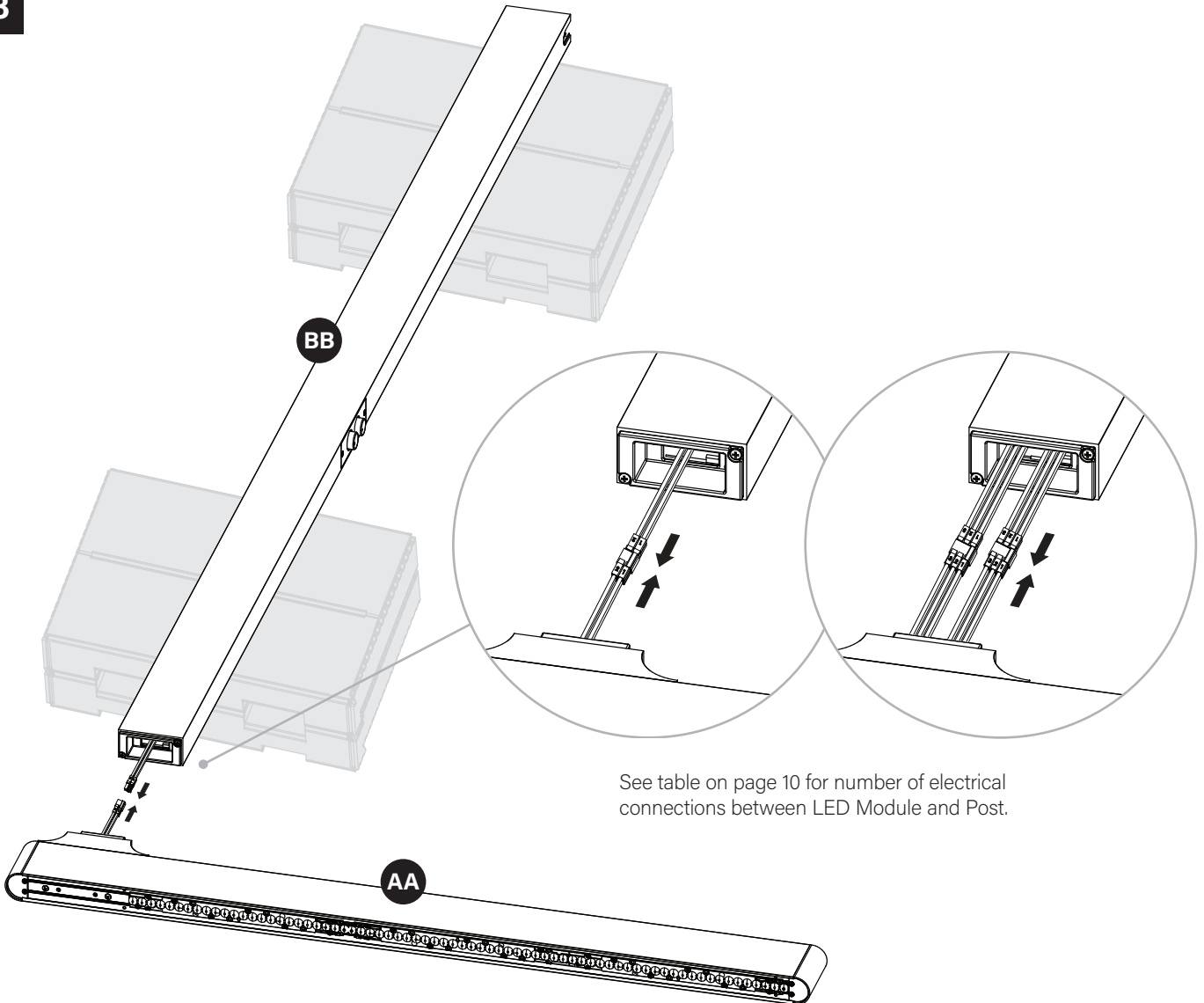
Stack any two packaging inserts.

2

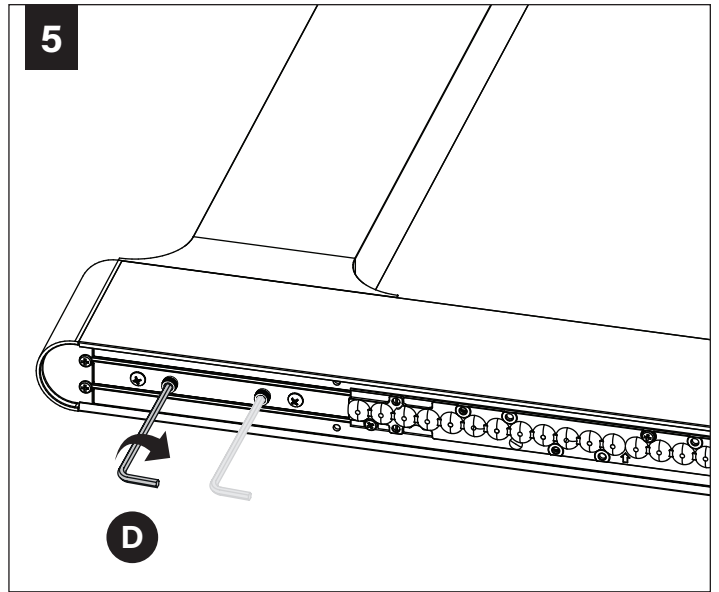
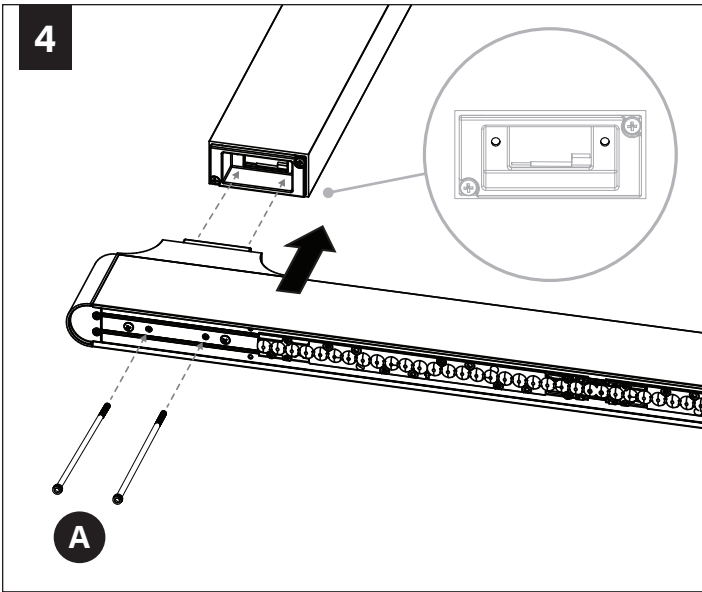


Lay Post on top of packaging stack for easier installation of LED Module and Base.

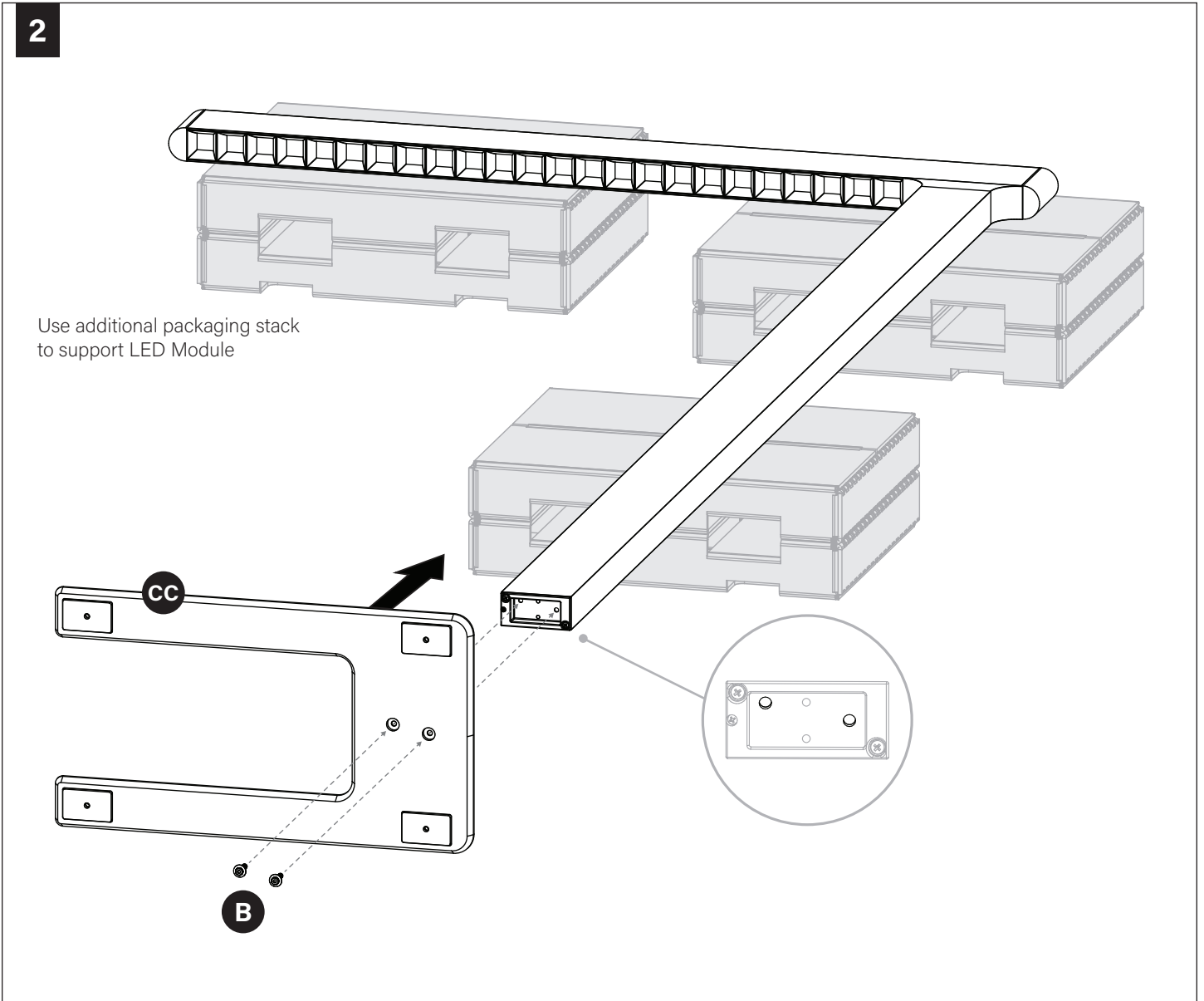
3

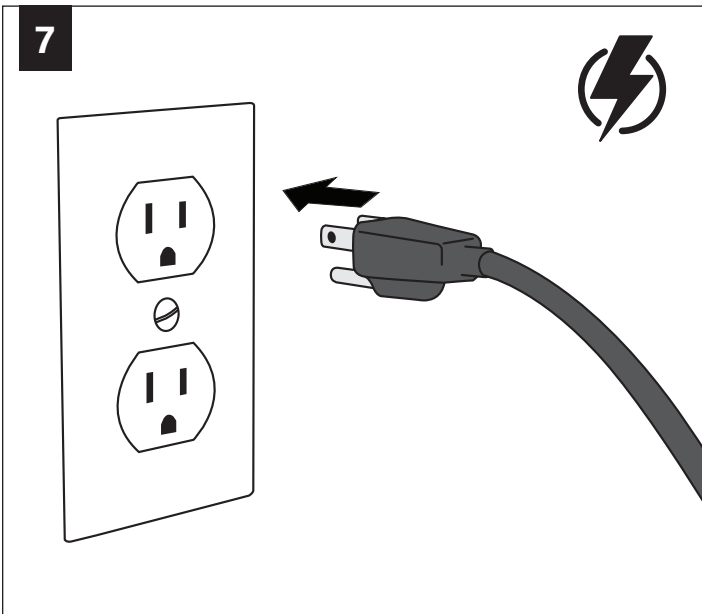
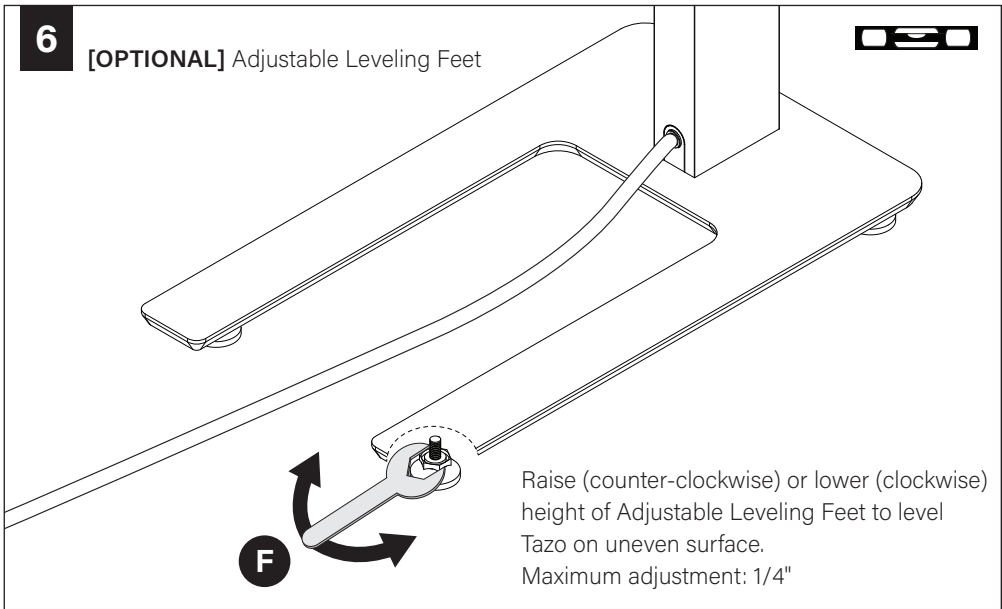
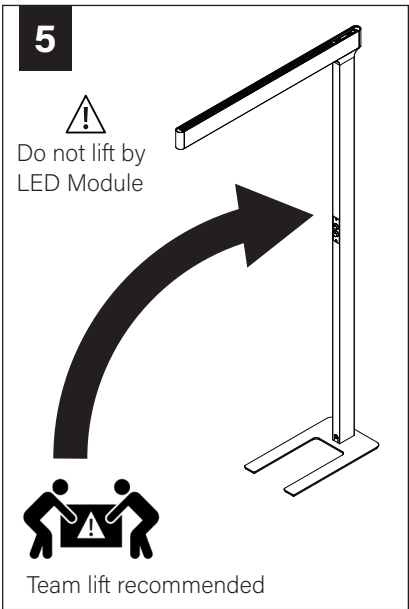
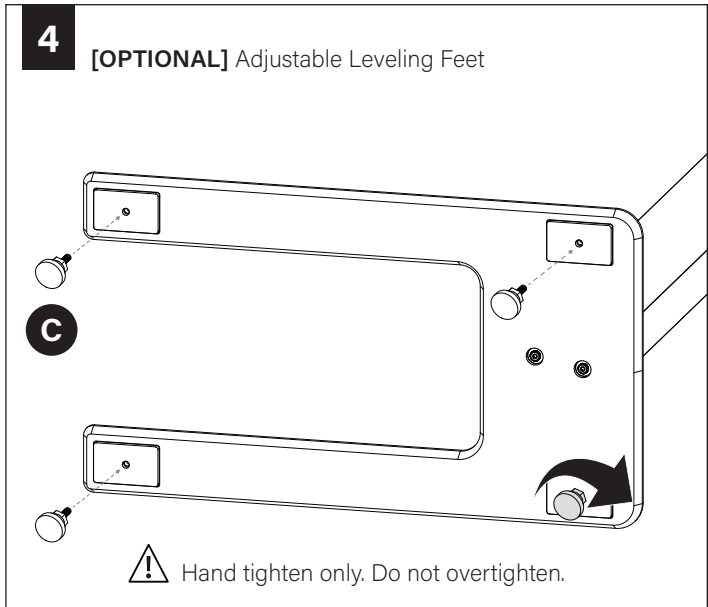
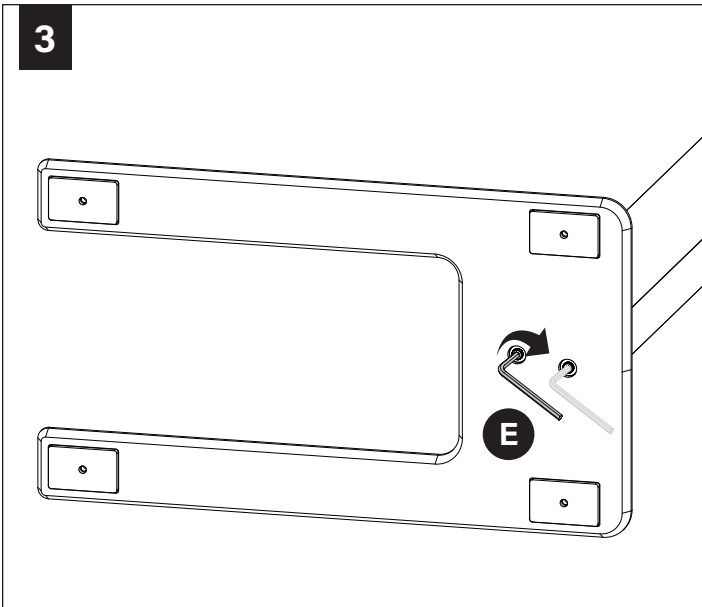


See table on page 10 for number of electrical connections between LED Module and Post.

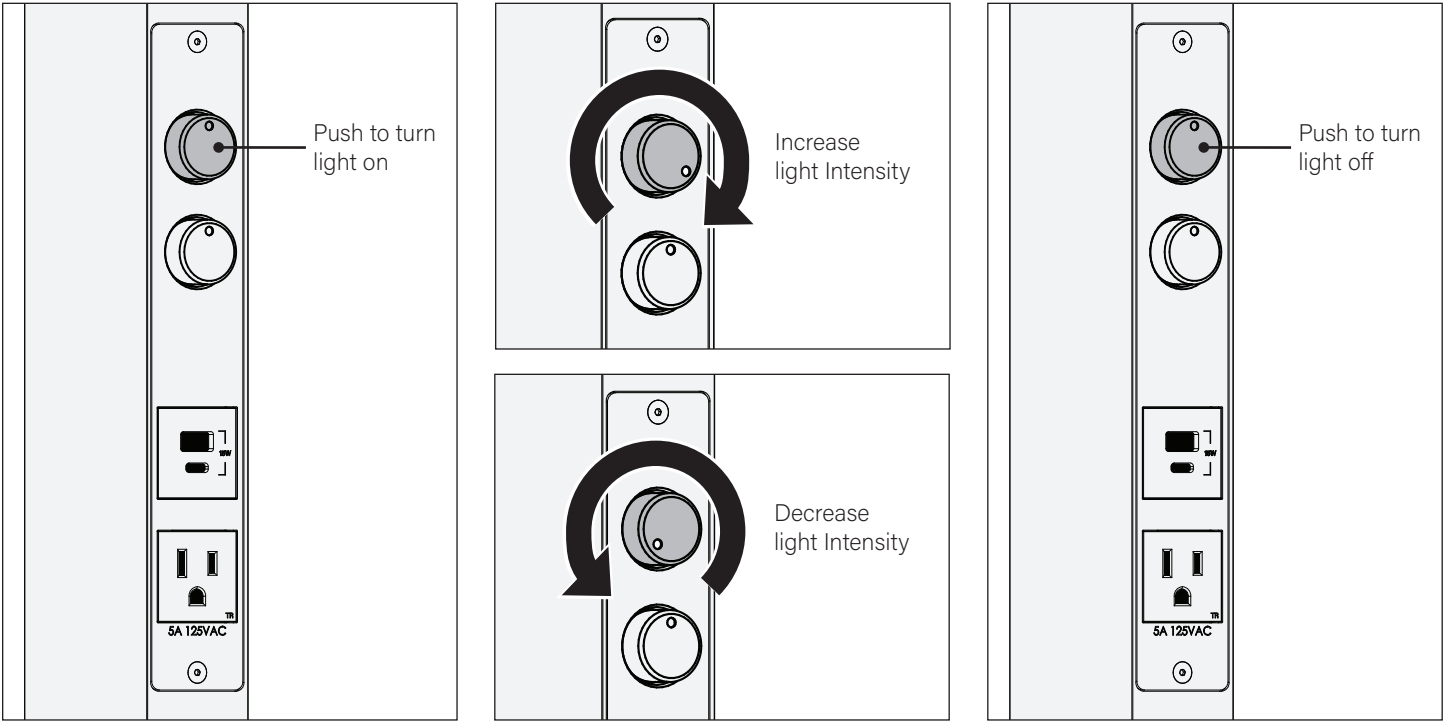


BASE INSTALLATION

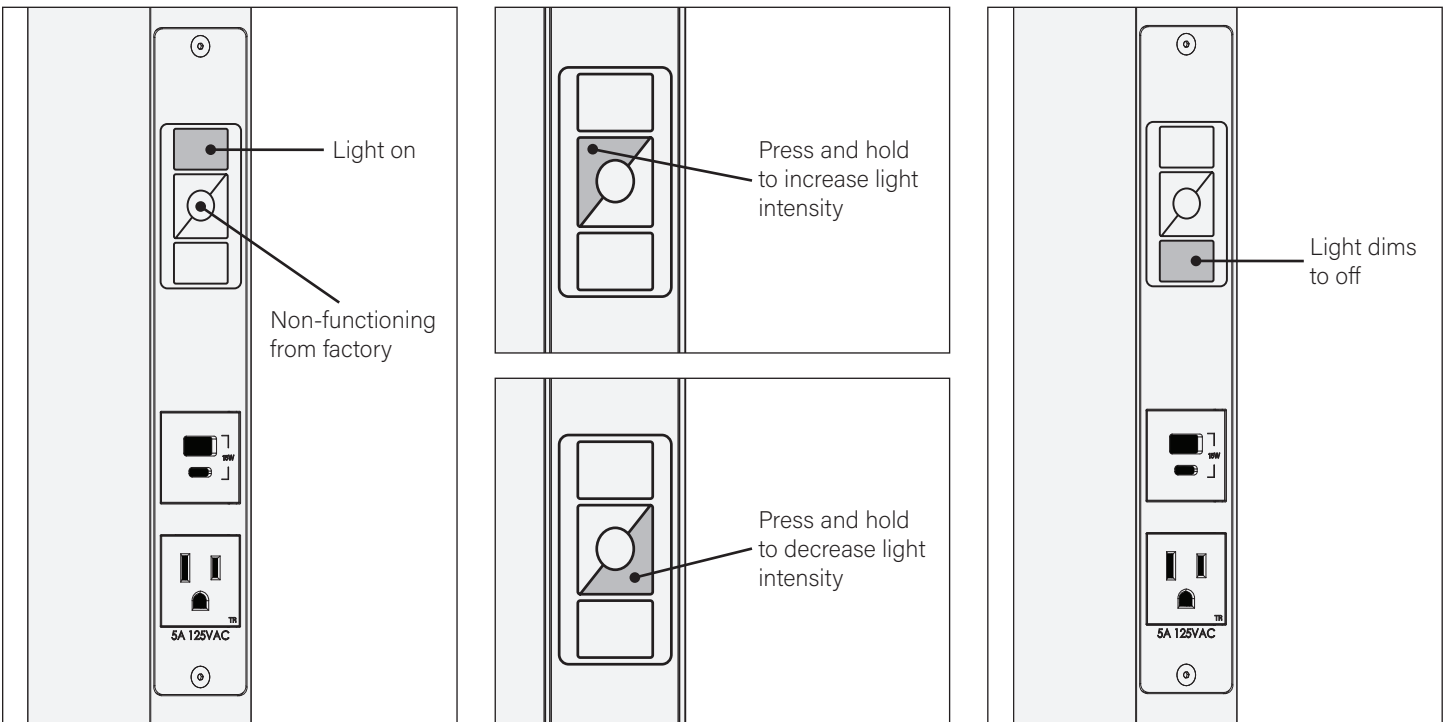




INTEGRATED LIGHTING CONTROLS OPERATION

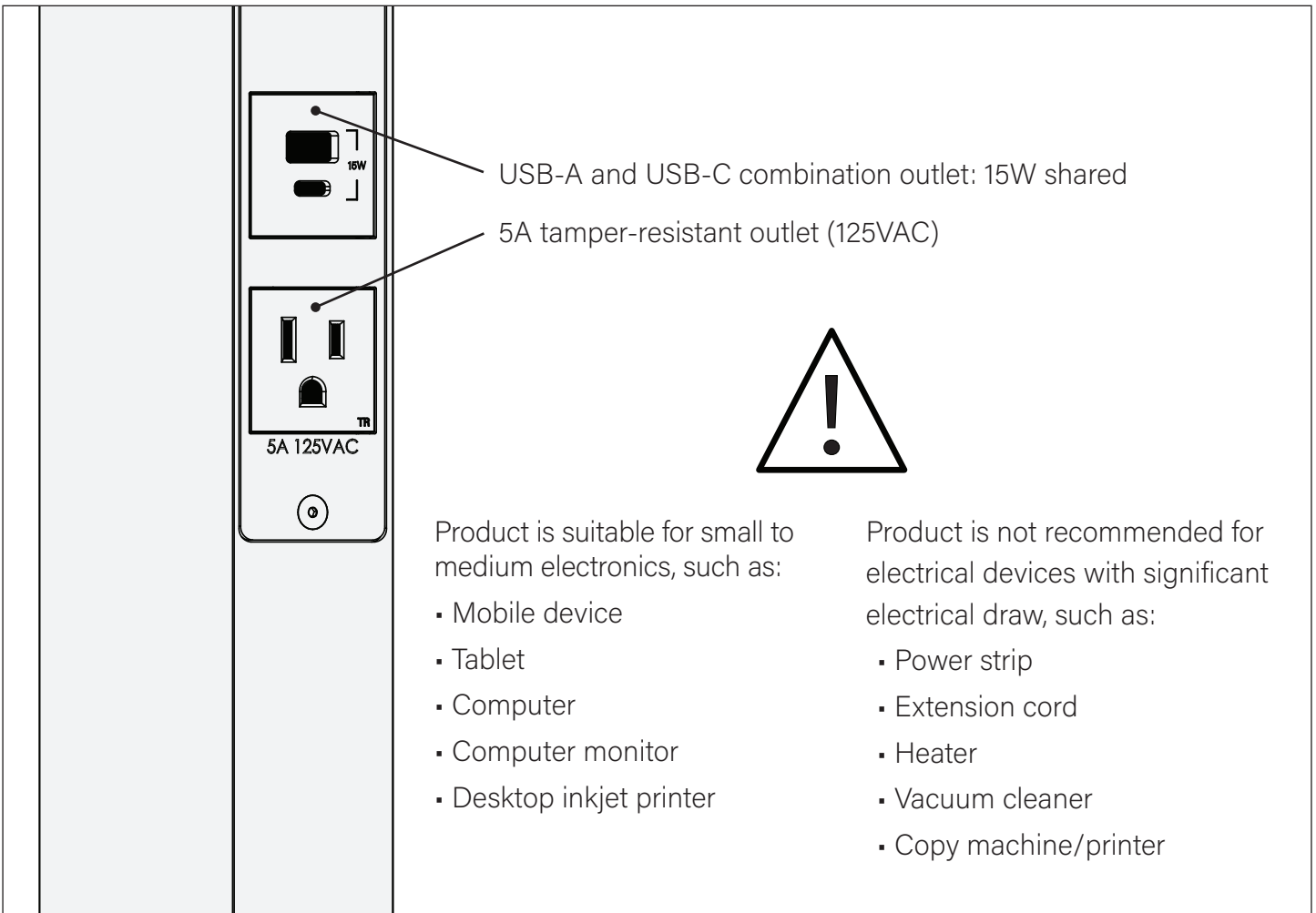


WIRELESS LIGHTING CONTROLS OPERATION



See manufacturer's instructions for additional wireless/network connectivity information.

INTEGRATED POWER OUTLET OPERATION



USB-A and USB-C combination outlet: 15W shared

5A tamper-resistant outlet (125VAC)

5A 125VAC

Product is suitable for small to medium electronics, such as:

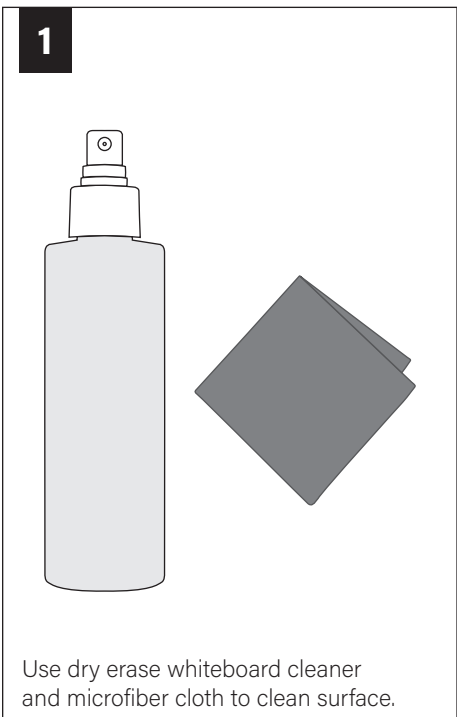
- Mobile device
- Tablet
- Computer
- Computer monitor
- Desktop inkjet printer

Product is not recommended for electrical devices with significant electrical draw, such as:

- Power strip
- Extension cord
- Heater
- Vacuum cleaner
- Copy machine/printer

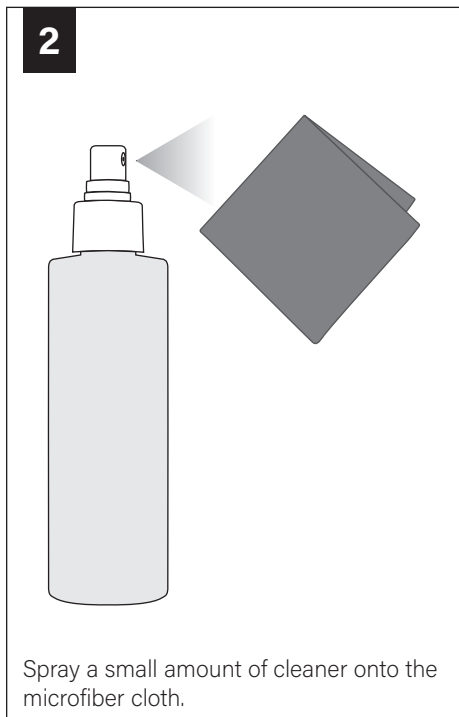
CLEANING

1



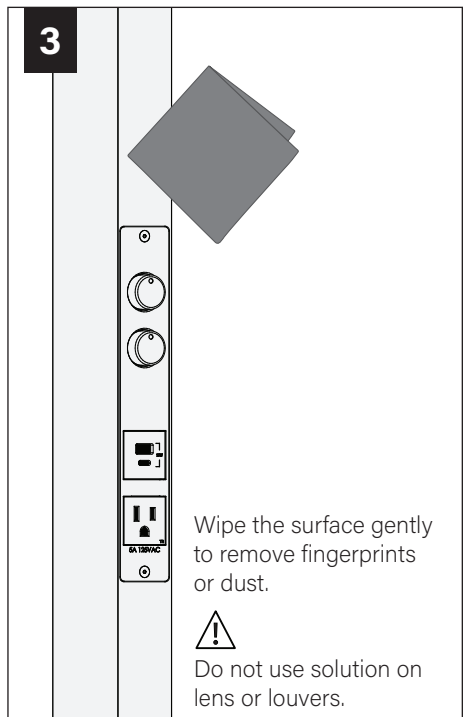
Use dry erase whiteboard cleaner and microfiber cloth to clean surface.

2



Spray a small amount of cleaner onto the microfiber cloth.




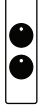





3



Wipe the surface gently to remove fingerprints or dust.

Do not use solution on lens or louvers.

DIMMING CONTROLS REFERENCE

Ordering Code	Description	Dimming Controls	Diagram	Occupancy	Network Control	Quantity of Electrical Connections
1C	All on/off			-	-	1
1OCL	All on/off plus occupancy sensor			Direct	-	1
2C	Independent control of indirect & direct			-	-	1
2W	Wireless indirect, on/off direct			-	Indirect	1
2WOCL	Wireless indirect, on/off direct plus occupancy sensor			Direct	Indirect	2