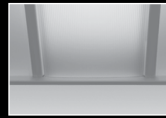


Veer® 2x4

LED



flat diffuser

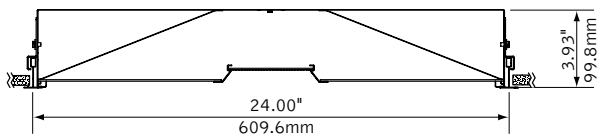


radial diffuser



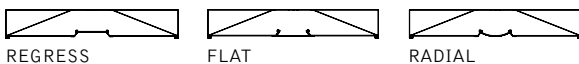
suspended or surface mount

DIMENSIONAL DATA

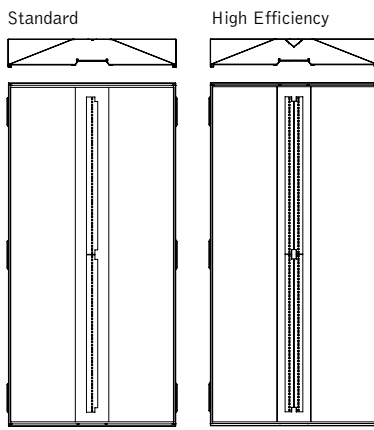


Overall height of luminaire with Air Return is 4.58"

shielding options



led options



2 LED boards

4 LED boards

FEATURES

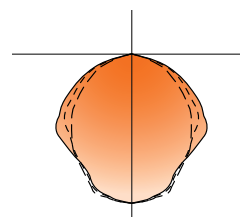
High efficacy architectural recessed LED luminaire.

Premium LEDs operate efficiently to achieve excellent thermal management and reliable operation.

Three distinctive aesthetics offer contemporary styling and complement architecture.

MicroGroove diffusers add texture and visual interest with a ribbed pattern that diffuses brightness and provides soft, even illumination.

PERFORMANCE



PRODUCT OVERVIEW

Lumen Output:	4000-6000lm
Wattage:	36-57W
LPW:	98-113
SDCM:	3

High Performance
5000 Lumens (5000LH)
Regress Acrylic Diffuser

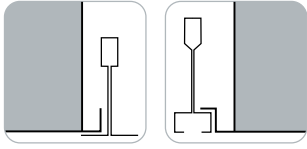
Delivered Lumens: 5000lm
Total System Watts: 46W

Photometric performance is measured in accordance with IESNA LM-79. Visit focalpointlights.com for complete photometric data.

MOUNTING INFORMATION

grid

specify "G" for flat 9/16" and 15/16" tee or "ST" for 9/16" slot tee grid types.

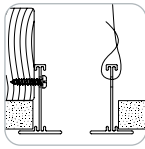


"G" flat tee
Luminaires may be installed in T-bar ceiling systems up to 1 11/16" high".

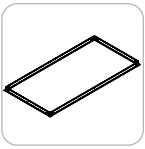
"ST" slot tee

drywall frame kit

specify "DF" Drywall Frame Kit for drywall ceiling conditions.



Use tie-wire or screws to secure frame kit.



cut out dimensions:
2': Min: 24.25"
Max: 24.563"
4': Min: 48.25"
Max: 48.563"

SPECIFICATIONS

LED System

Proprietary linear LED module incorporates premium LEDs on a robust platform to achieve excellent thermal management. LEDs are placed to promote a uniform appearance. Available in 2700K, 3000K, 3500K or 4000K with CRI>80 or CRI>90, 3SDCM. 0-10V dimming driver standard. LED modules and drivers are replaceable from below.

Construction

One piece 20 Ga. steel reflector and housing. 20 Ga. steel ends. Bottom access 20 Ga. Steel driver compartment. Positional brackets supplied as standard. Weight: 25 lbs.

Optic

20 Ga. steel reflectors finished in matte satin white powder coat. .095" thick frosted white acrylic lamp diffusers with linear micro-prism pattern.

Electrical

Standard 120-277V driver includes 0-10V analog dimming. Power factor > .9. Optional EcoSystem dimming drivers from Lutron available.

Emergency Battery

Bodine BSL310-CAN. Emergency output—10 watts for 90 minutes. Maximum mounting height: 18ft.

Labels

UL and cUL listed. Suitable for Dry or Damp Locations, indoor use only.

Finish

Polyester powder coat applied over a multi-stage pre-treatment.

Lumen Maintenance

Reported: L70 at >60,000 hours Calculated: L70 at 128,000 hours
 L80 at >60,000 hours L80 at 81,000 hours
 (Derived from EPA TM-21 calculator. Based on typical conditions, consult factory for additional data.)

Reliability

At Focal Point, our products are designed to stand the test of time. Each luminaire is engineered using superior components, manufactured with the utmost care and rigorously tested. Contact us for reliability data.

Warranty

LED system rated for operation in ambient environments up to 25°C. 5-year limited warranty.

PERFORMANCE CHART

	Delivered Lumens	Tested System Watts	LPW
4000 Lumens	4000L	38	105
	4000LH	36	111
4500 Lumens	4500L	44	102
	4500LH	40	113
5000 Lumens	5000L	50	100
	5000LH	46	109
5500 Lumens	5500L	56	98
	5500LH	51	108
6000 Lumens	6000L	57	105
	6000LH		

Based on 3500K, 80 CRI. Lumen multiplier: 90+ CRI = 0.87. Lumen output may vary +/- 5%. Actual wattage may vary +/- 5%

ORDERING

Luminaire Series	Veer LED	FVRL
Nominal Size	2' x 4'	24
Shielding	Radial Acrylic Diffuser	ACR
	Flat Acrylic Diffuser	ACF
	Regress Acrylic Diffuser	ACG
Lumen Output	Standard	
	4000 Lumens	4000L
	4500 Lumens	4500L
	5000 Lumens	5000L
	5500 Lumens	5500L
	High Efficiency	
	4000 Lumens	4000LH
	4500 Lumens	4500LH
	5000 Lumens	5000LH
	5500 Lumens	5500LH
	6000 Lumens	6000LH
Color Temperature	2700K, 80+ CRI or 90+ CRI	27K or 927K
	3000K, 80+ CRI or 90+ CRI	30K or 930K
	3500K, 80+ CRI or 90+ CRI	35K or 935K
	4000K, 80+ CRI or 90+ CRI	40K or 940K
Circuits	Single Circuit	1C
Voltage	120 Volt	120
	277 Volt	277
	UNV Volt	UNV
Control System & Dimming Level	0-10V - 1% Dimming	L11
	0-10V - 10% Dimming	LD1
	Step Dimming	SD5
	DALI Dimming	(Consult factory)
Mounting	24" Aircraft Cable	C24
	48" Aircraft Cable	C48
	96" Aircraft Cable	C96
	Drywall Frame Kit	F
	(Cut out dimensions: Min: 12.25"/Max: 12.563" Min: 48.25"/Max: 48.563")	
	Grid	G
	Slot Tee	ST
	Surface Mount	SM
Factory Options	Air Return	AR
	(Overall height with Air Return is 4.58")	
	Chicago Plenum	CP
	Emergency Battery Pack with Integral Test Switch	EM
	6' New York City Flex Whip	FNY
	6' Flex Whip	FW
	(Sensor options available - consult factory)	
Finish	Matte Satin White	WH