

Seem Sweep™ 2

Sweeping lines of light



Sweeping lines of light

Sweeping curves, soft shapes, flowing lines... no matter what you envision and how you picture it, you can realize it with Seem Sweep™ 2.

From soft undulations that follow architecture to geometric shapes with rounded corners, Seem Sweep 2 provides a tool kit that facilitates the specification of curvilinear luminaires available with standard lead times.*

*Refer to cut sheets for options available within standard and extended lead times. Customization also available with the support of our team.



Enhance interior architecture

A broad selection of options supports the creation of luminaires uniquely suited to the needs of each space. Specify suspended or surface mount undulations using standard radii and angles, available with direct only or bidirectional illumination, and finish each luminaire with flat or rounded end caps.



with easy-to-specify curves

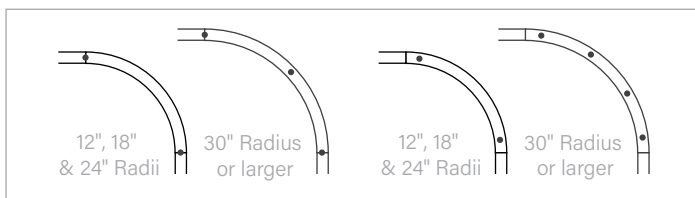


Easily create unique soft shapes with Seem Sweep 2

Narrow, 2.5" aperture luminaire

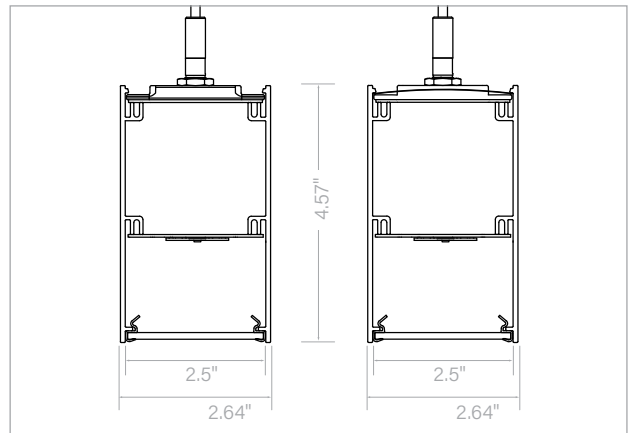
Coordinates with other Seem® 2 luminaires within a space.

Mounting Points Extended Lead time consult factory



Suspended

Surface Mount



Flat End Cap

Flat End Cap

High-design end caps

Select between flat and rounded end caps for straight or curved luminaire segments.



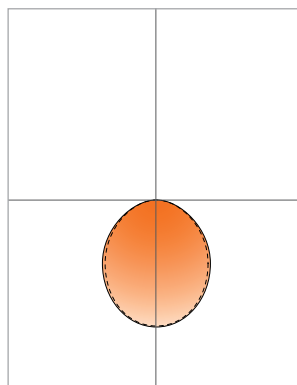
Flat End Cap



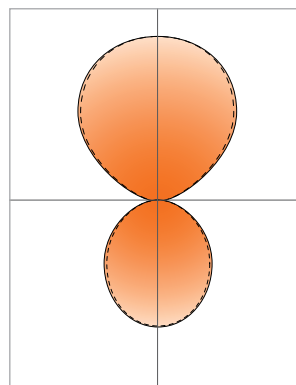
Rounded End Cap
Consult factory

Powerful direct or indirect light distributions

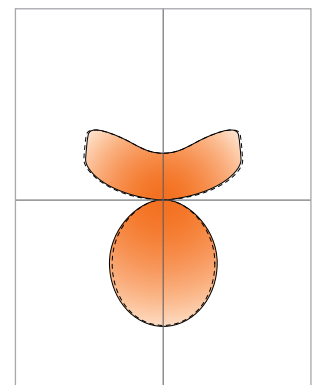
Light quality and optical options consistent with the Seem 2 Family of linear luminaires.



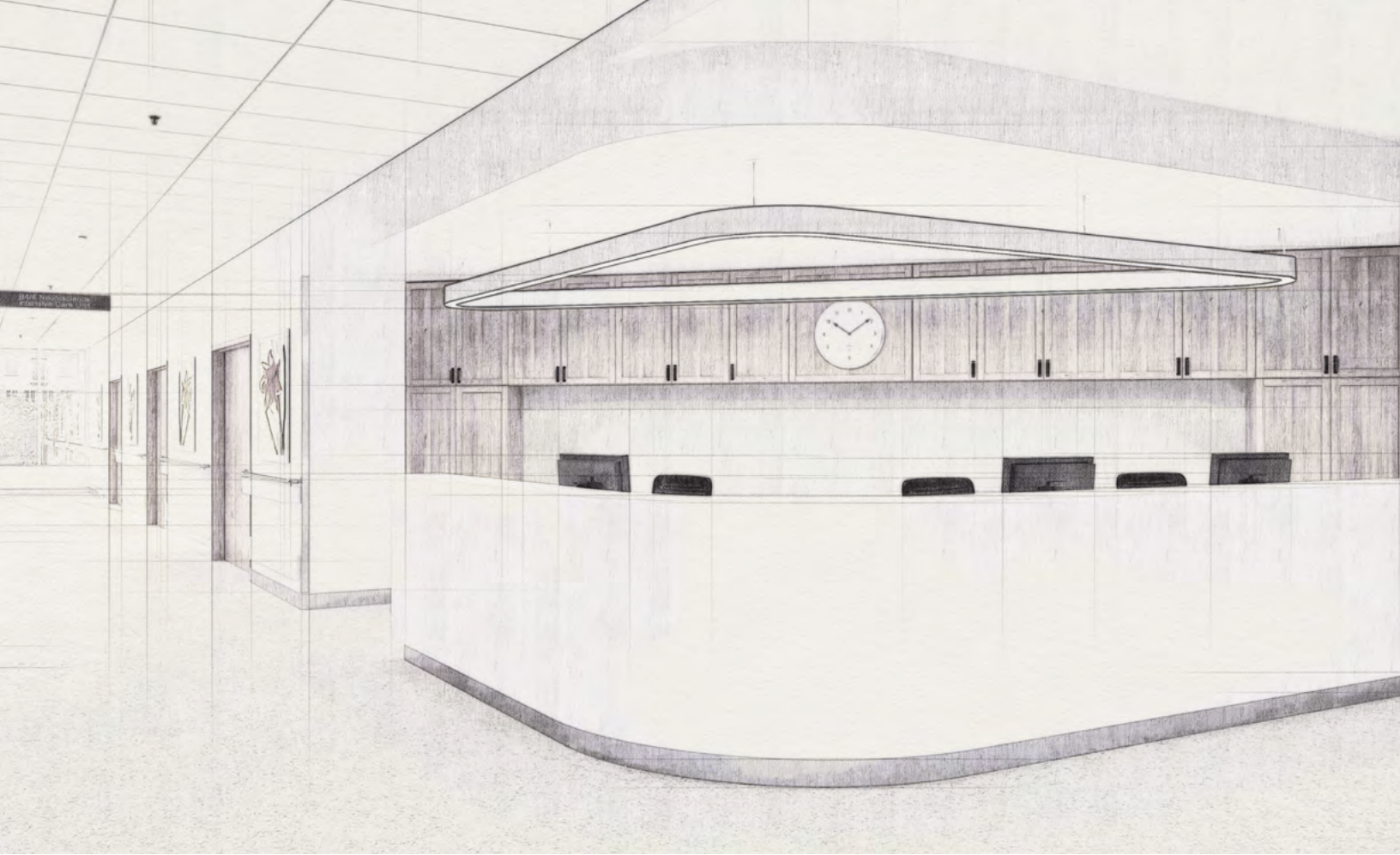
Flush Lens



Dust Cover
Flush Lens

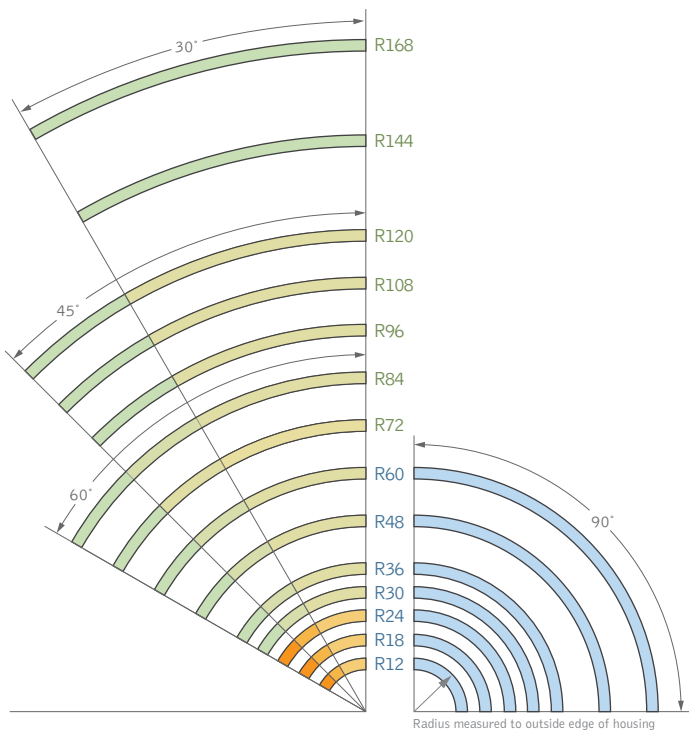


Batwing Optic
Flush Lens



Standard radii and angles

Quick and easy alternative to customization.



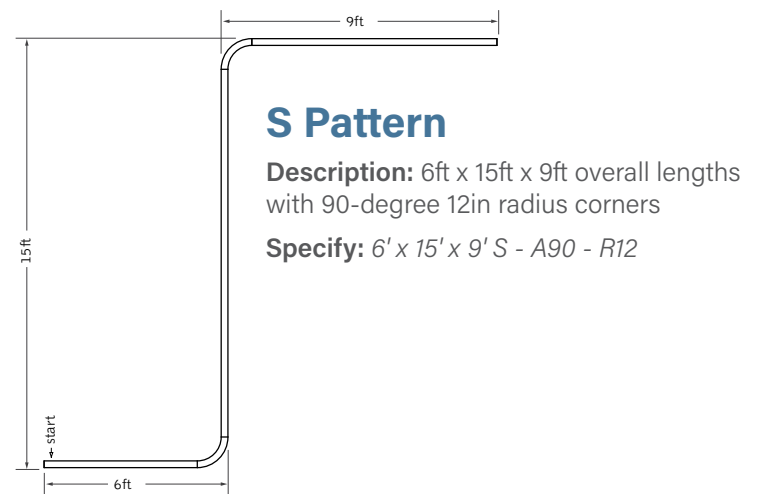
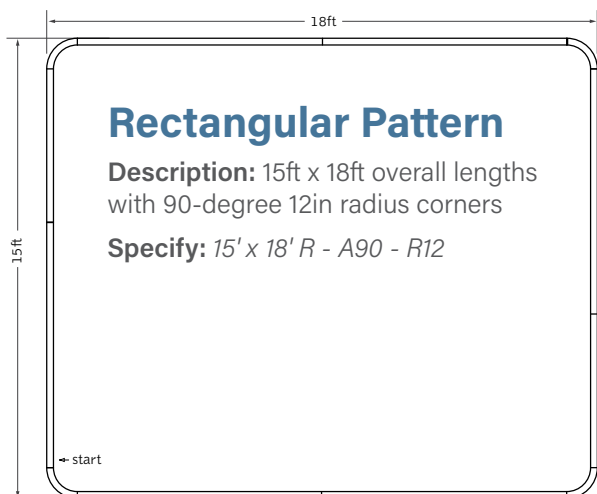
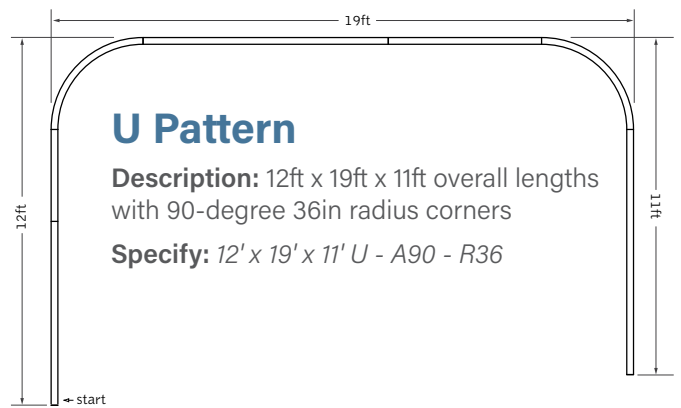
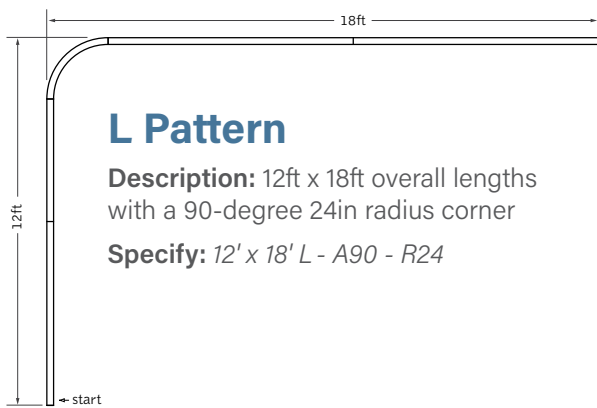
Radius	Angle			
	30°	45°	60°	90°
12"	●	●	●	✓
18"	●	●	●	✓
24"	●	●	●	✓
30"	■	■	■	✓
36"	■	■	■	✓
48"	■	■	■	✓
60"	■	■	■	✓
72"	■	■	■	
84"	■	■	■	
96"	■	■		
108"	■	■		
120"	■	■		
144"	■			
168"	■			

✓ Standard lead time options available in 1" increments, consult factory for shorter increments.

■ Extended lead times. ● Consult factory for pattern availability and lead time.

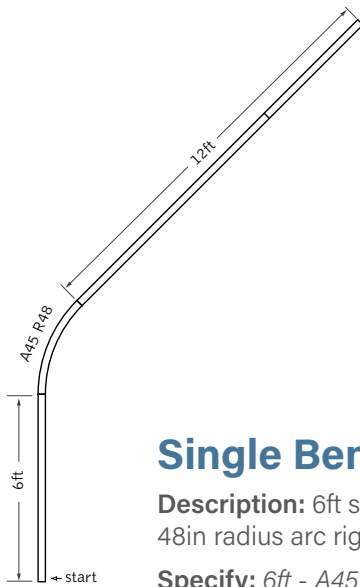
Simple 90-Degree Corner Patterns

Patterns should be specified clockwise from the start of the run. Start of run is always at first specified run length.



Simple Non 90-Degree Patterns

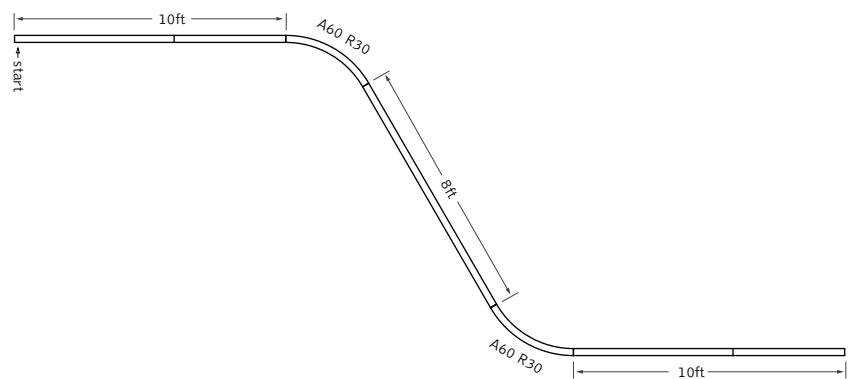
Patterns should be specified clockwise from the start of the run. Start of run is always at first specified run length.



Single Bend

Description: 6ft segment, 45-degree 48in radius arc right turn, 12ft segment

Specify: 6ft - A45 R48 - 12ft



Double Bend

Description: Two (2) 10ft straight segments, with two (2) 60-degree 30in radius arcs connected by an 8ft segment

Specify: 10ft - A60 R30 - 8ft - A60 R30 - 10ft

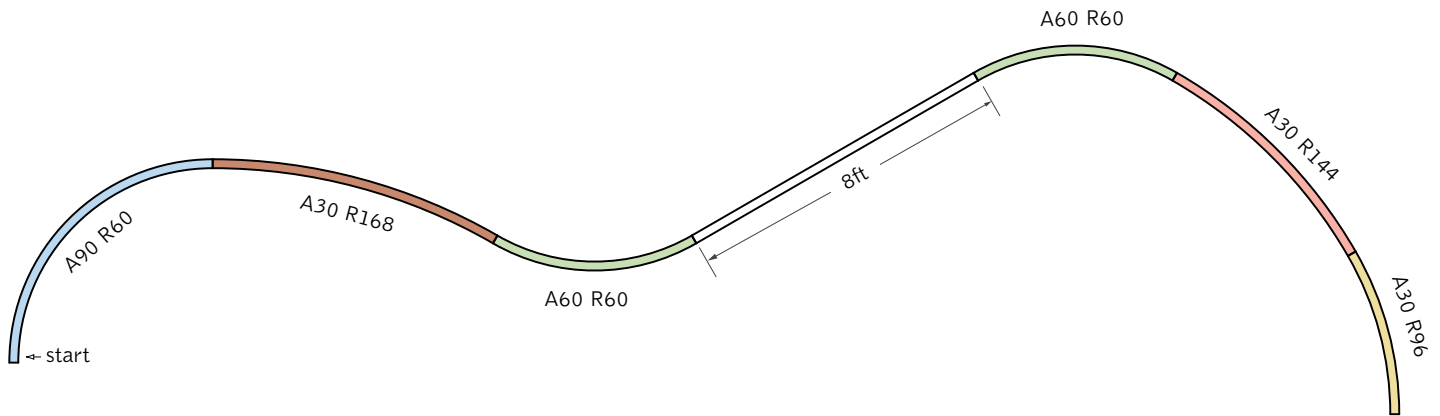
Complex Patterns

Instead of a pattern code, angle and radius as separate ordering codes, provide one complex string.

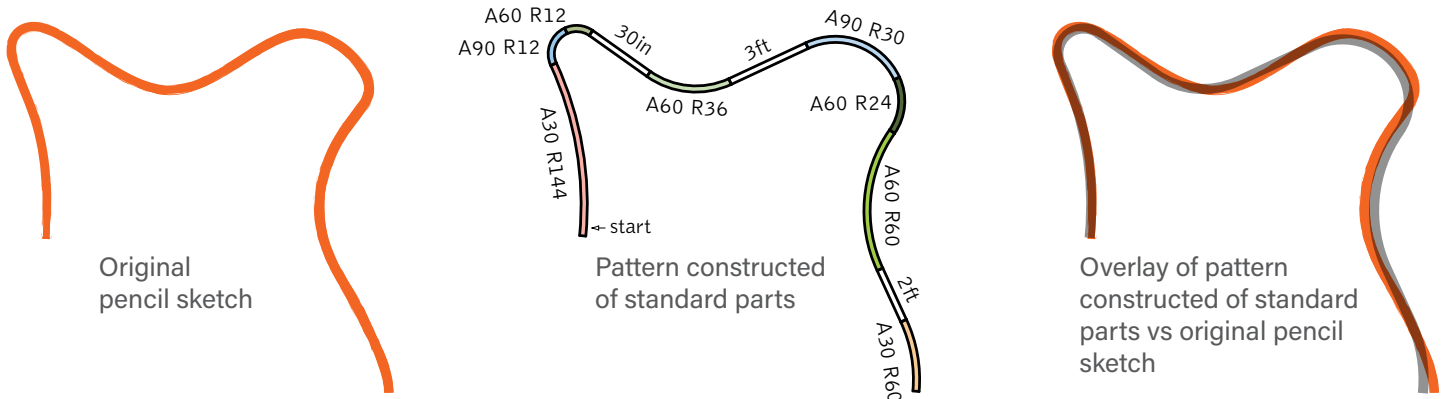
Patterns should be specified clockwise from the start of the run. Start of run is always at first specified run length.

Pattern

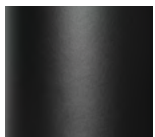
Specify: *A90 R60 - A30 R168 - A60 R60 - 8ft - A60 R60 - A30 R144 - A30 R96*



Convert a custom pattern to standard parts with minimal pattern impact



Finishes



Black



White



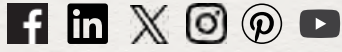
Palladium Silver





FOCAL POINT®

Bringing It All To Light®



©2025 Focal Point, LLC. 4141 S. Pulaski Road, Chicago, IL 60632
T 773.247.9494 | www.focalpointlights.com.

All rights reserved. "Focal Point," "Seem," "Seem Sweep,"
"Bringing It All To Light" and the light-ray graphic are trademarks or
registered trademarks of Focal Point, LLC.

Visit focalpointlights.com for specifications and other details on our
entire Focal Point catalog.